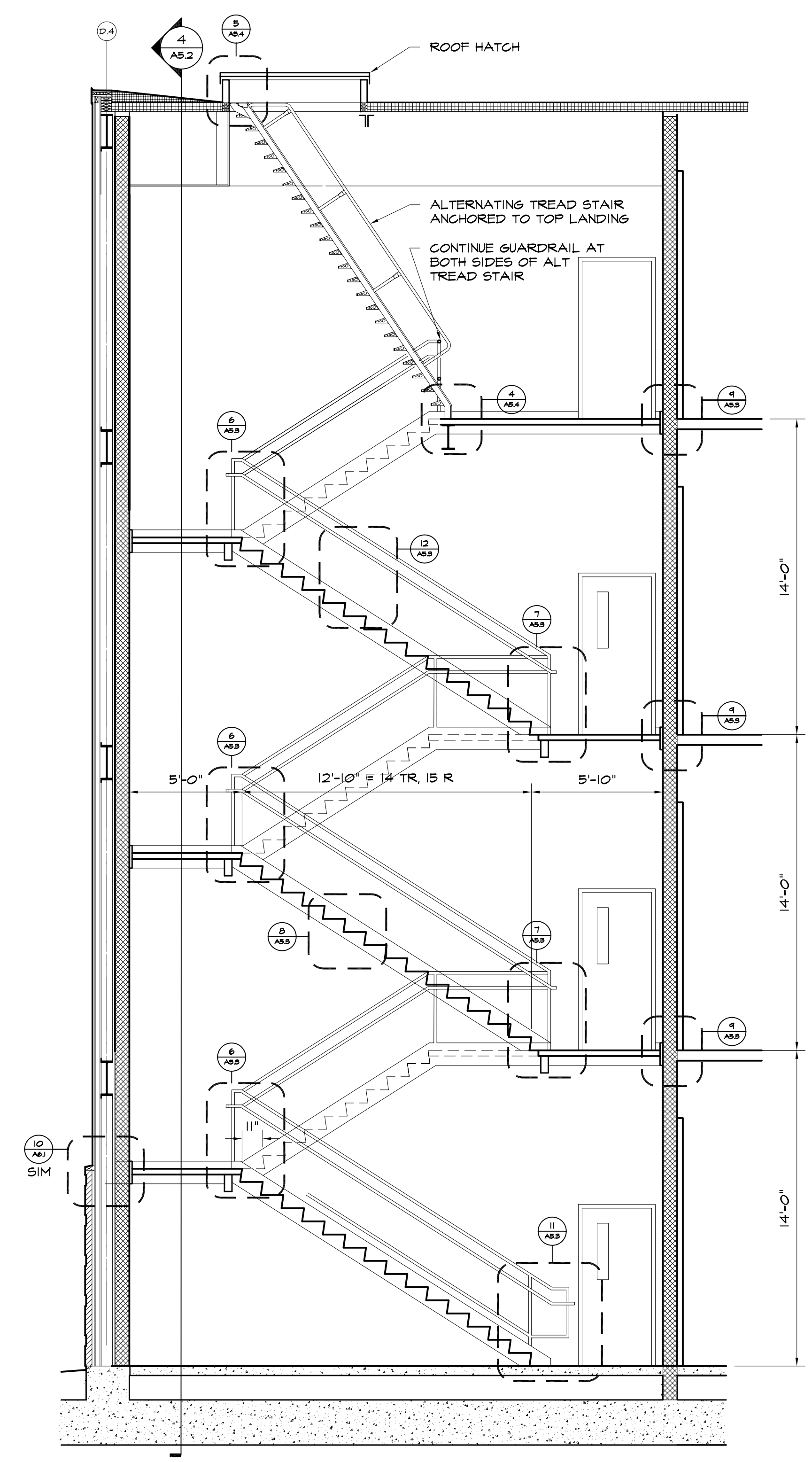
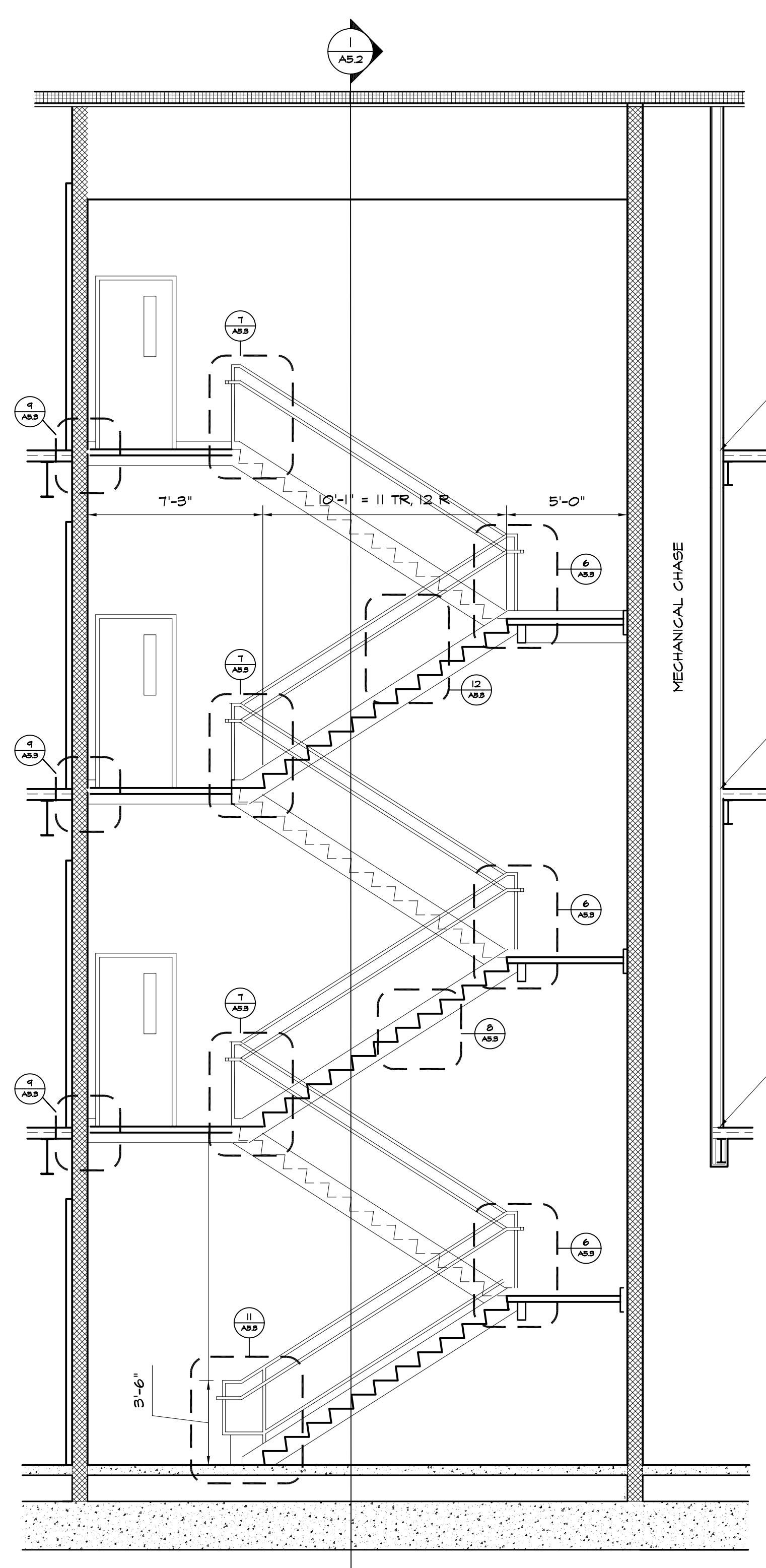


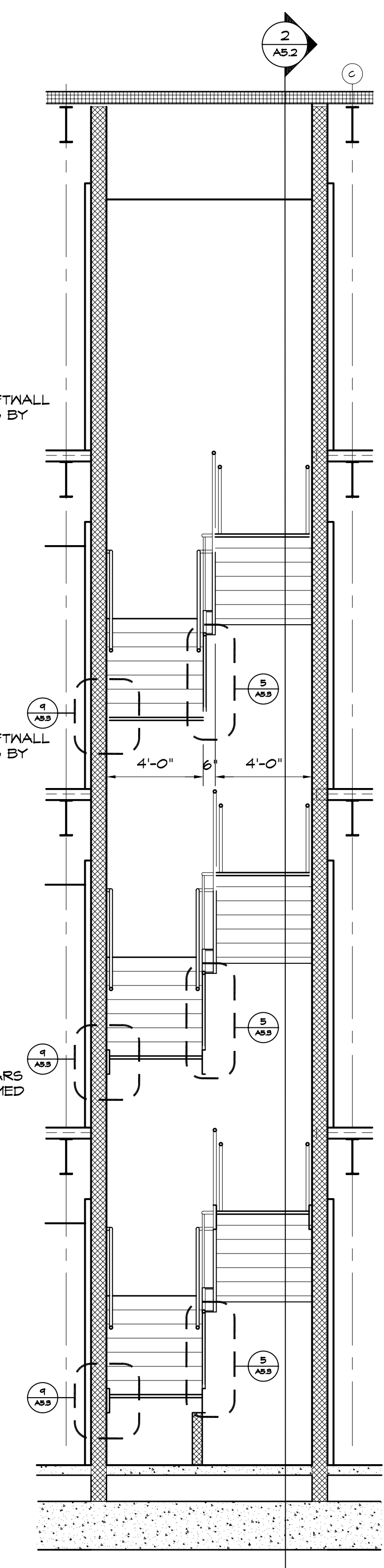
4 WALL SECTION - STAIR 1
1/4" = 1'-0"



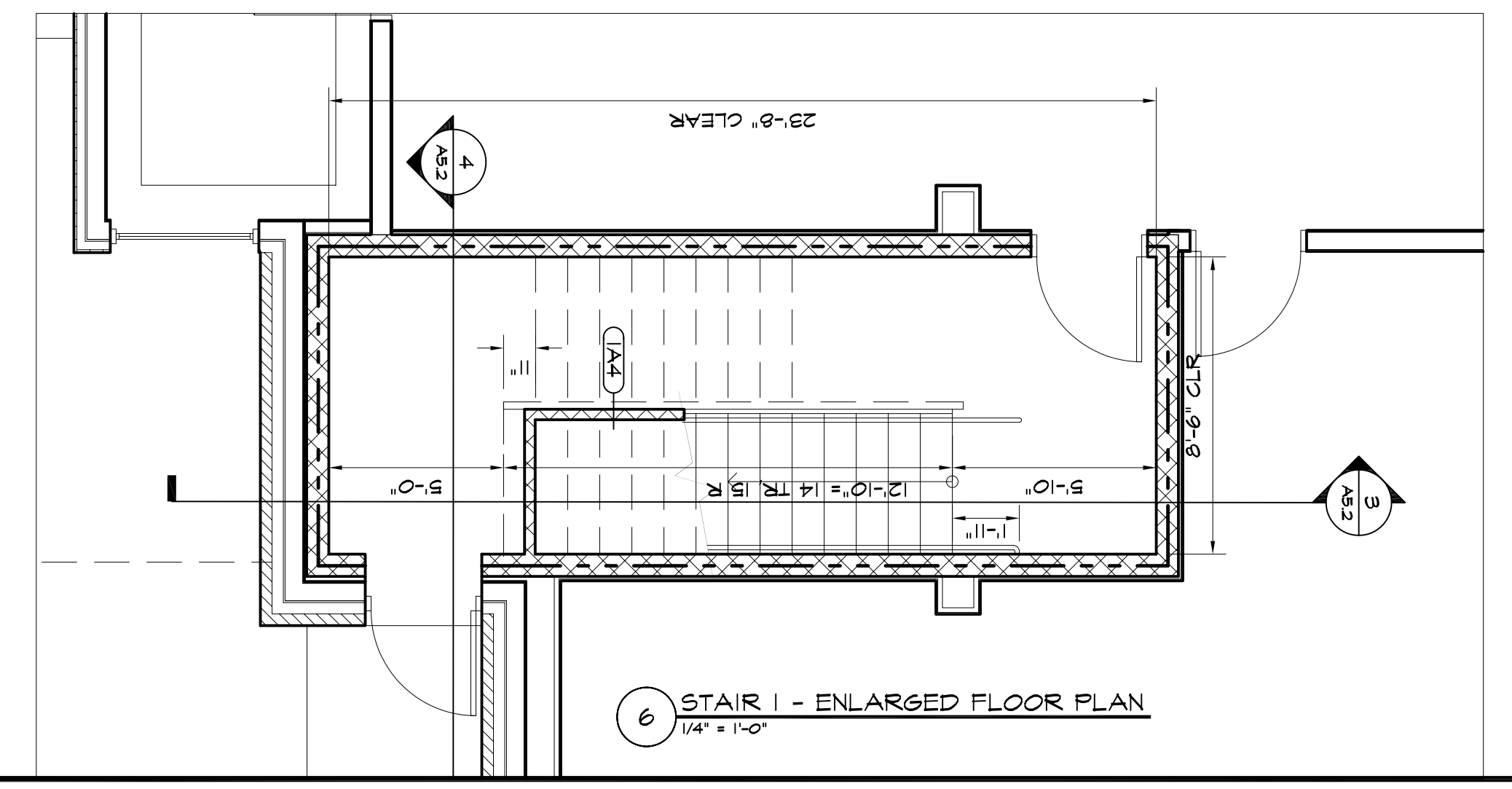
3 WALL SECTION - STAIR 1
1/4" = 1'-0"



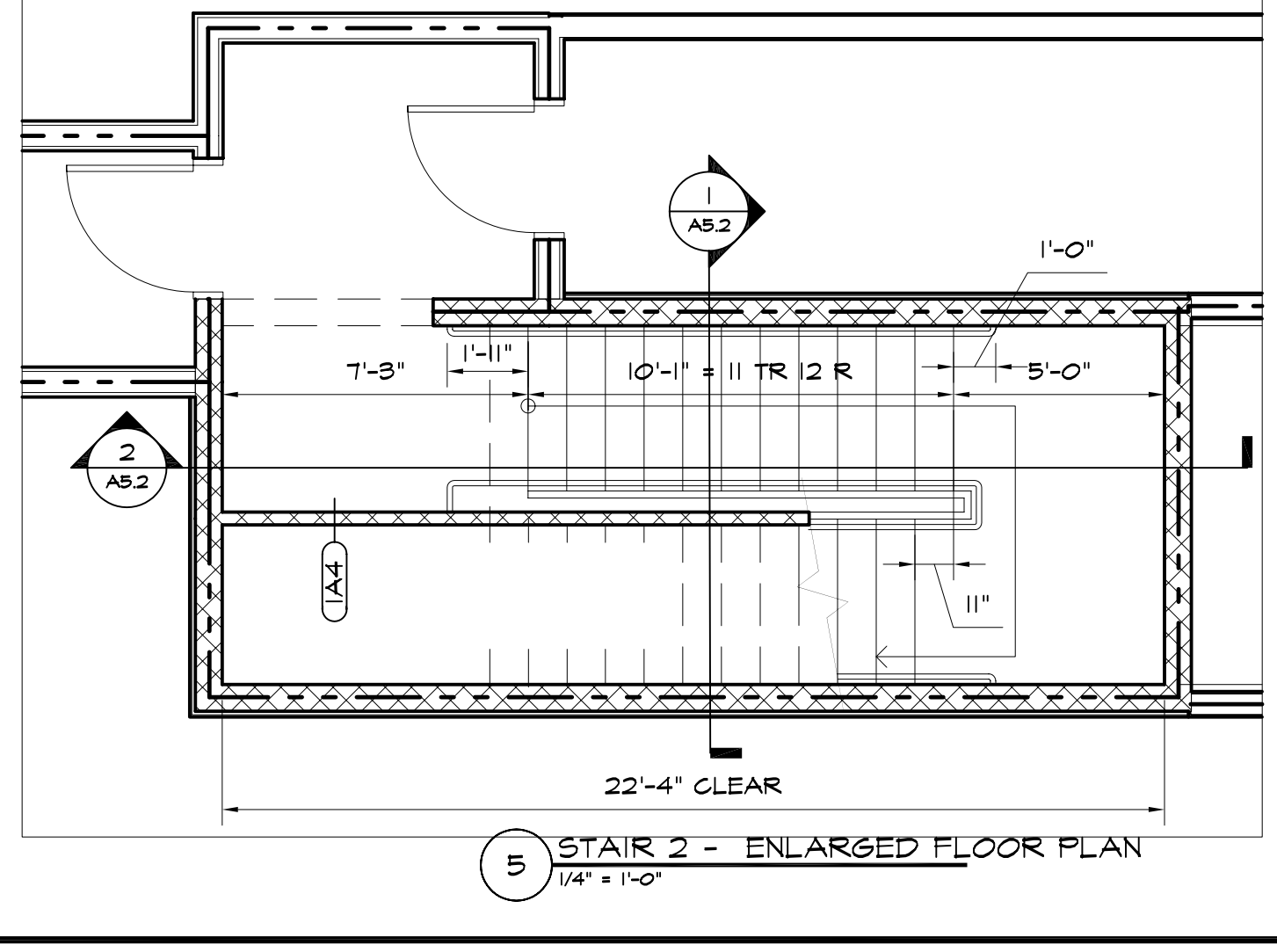
2 WALL SECTION - STAIR 2
1/4" = 1'-0"



1 WALL SECTION - STAIR 2
1/4" = 1'-0"



6 STAIR 1 - ENLARGED FLOOR PLAN
1/4" = 1'-0"



5 STAIR 2 - ENLARGED FLOOR PLAN
1/4" = 1'-0"