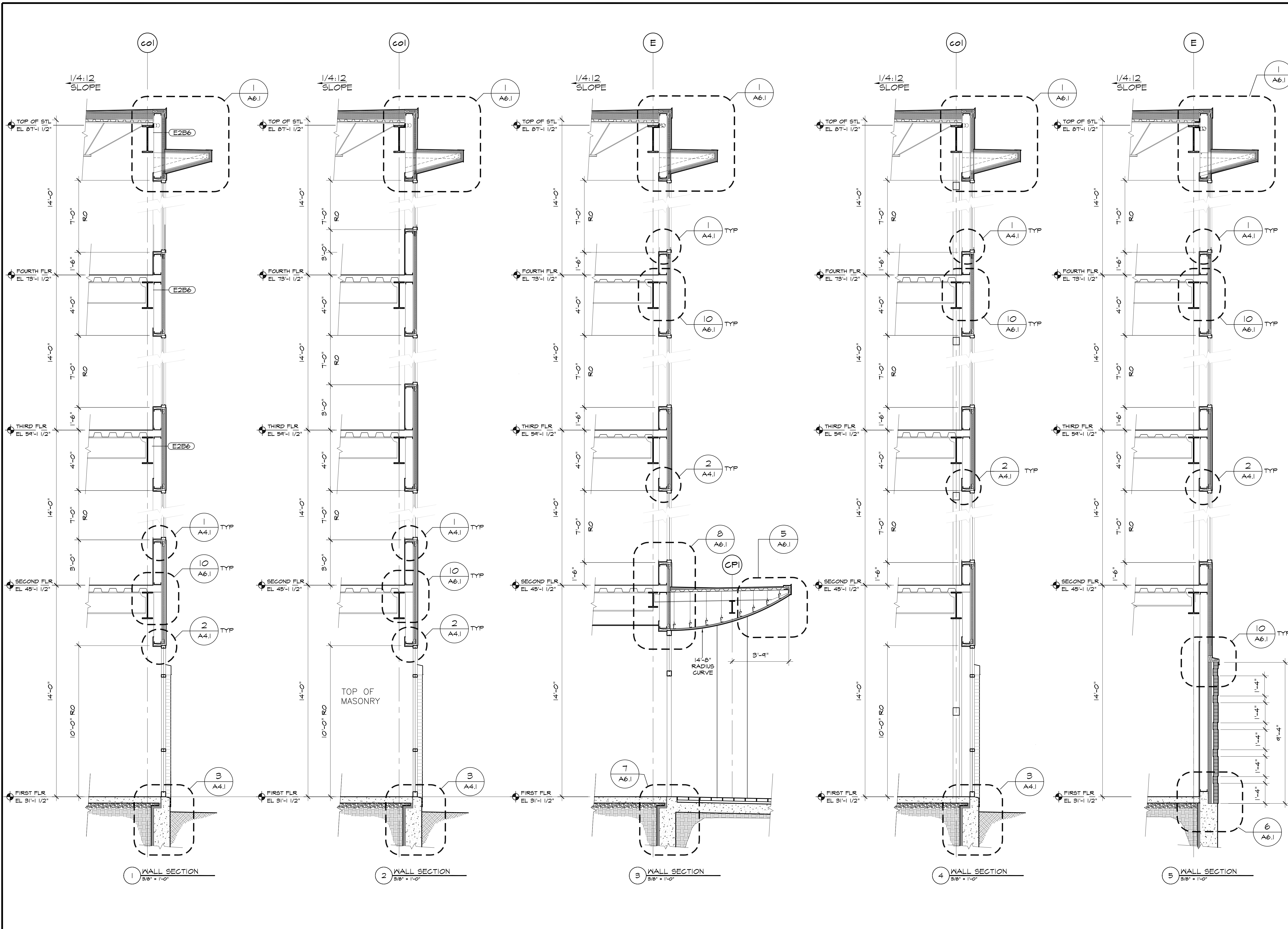


May 24, 2005 - 2:28pm

H:\Master Proj Files\2\OlympiaSewallStreet\MOB\cut\SD\A5.1.dwg



ARCHITECTURE  
INTERIOR DESIGN  
PLANNING

PDT ARCHITECTS

49 BARTONVILLE STREET  
PORTLAND, MAINE  
207-755-1100  
207-755-2804 FAX

COPYRIGHT 2005  
PDT Architects  
Reuse or reproduction of the  
contents of this document is not  
permitted without written  
permission of PDT Architects.

**50 Sewall Street**  
PORTLAND, MAINE

OLYMPIA EQUITY INVESTORS

JOB NO.  
04-132

DRAWN:  
tak

SCALE:  
3/8"=1'-0"

ISSUE  
24 MAY 2005

TITLE  
Wall Sections

SHEET  
A5.1