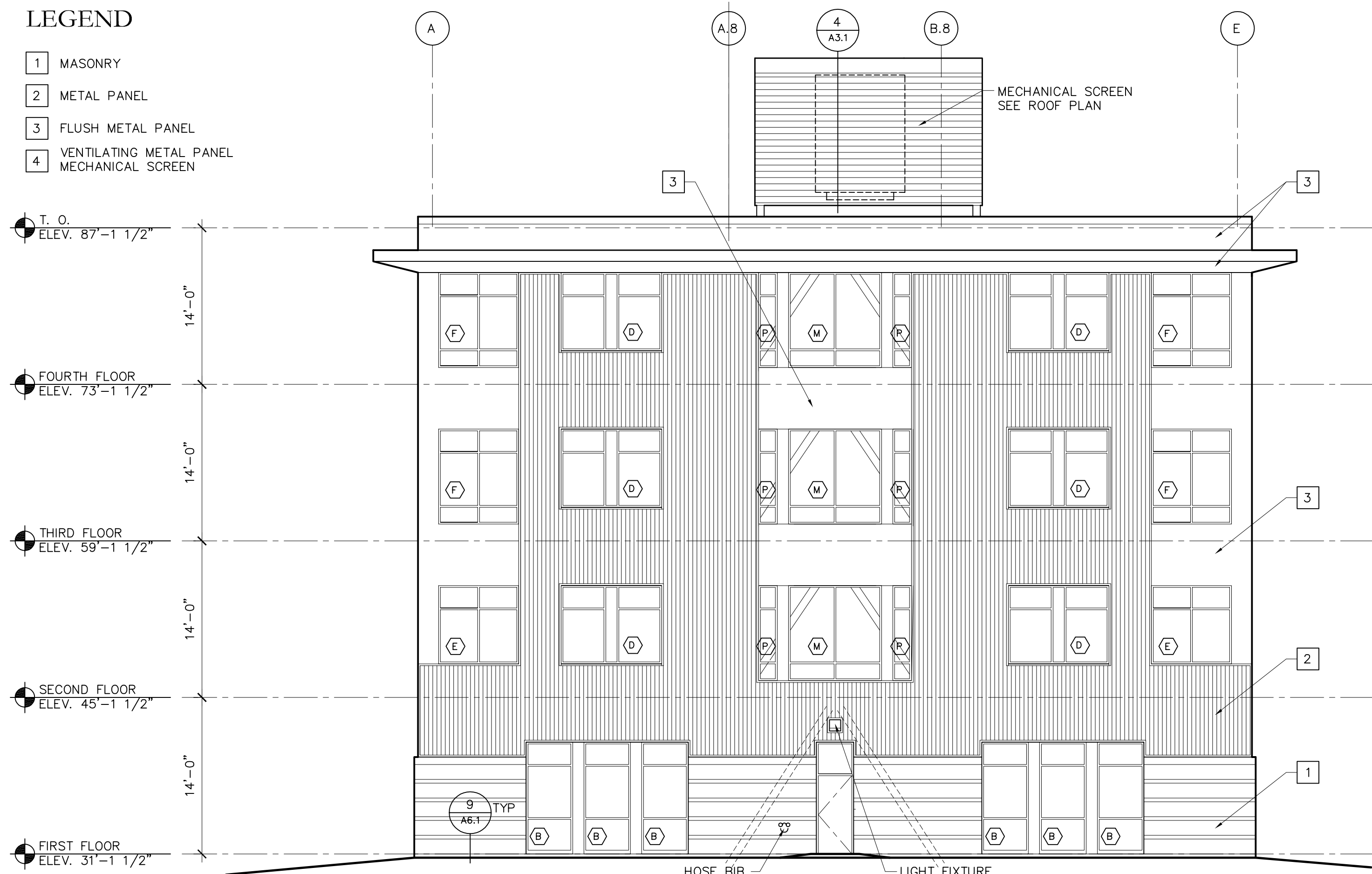


LEGEND

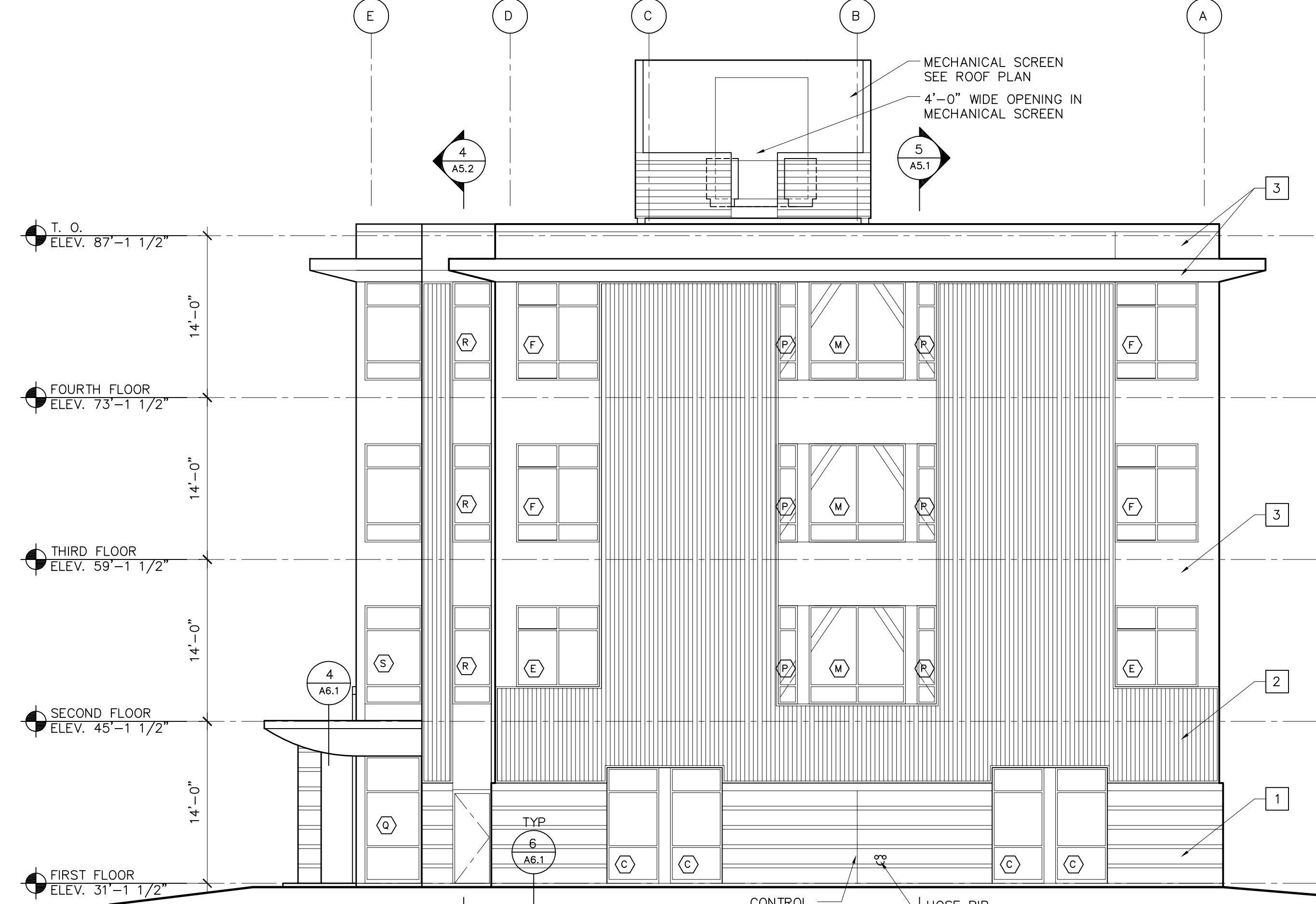
- 1 MASONRY
- 2 METAL PANEL
- 3 FLUSH METAL PANEL
- 4 VENTILATING METAL PANEL MECHANICAL SCREEN



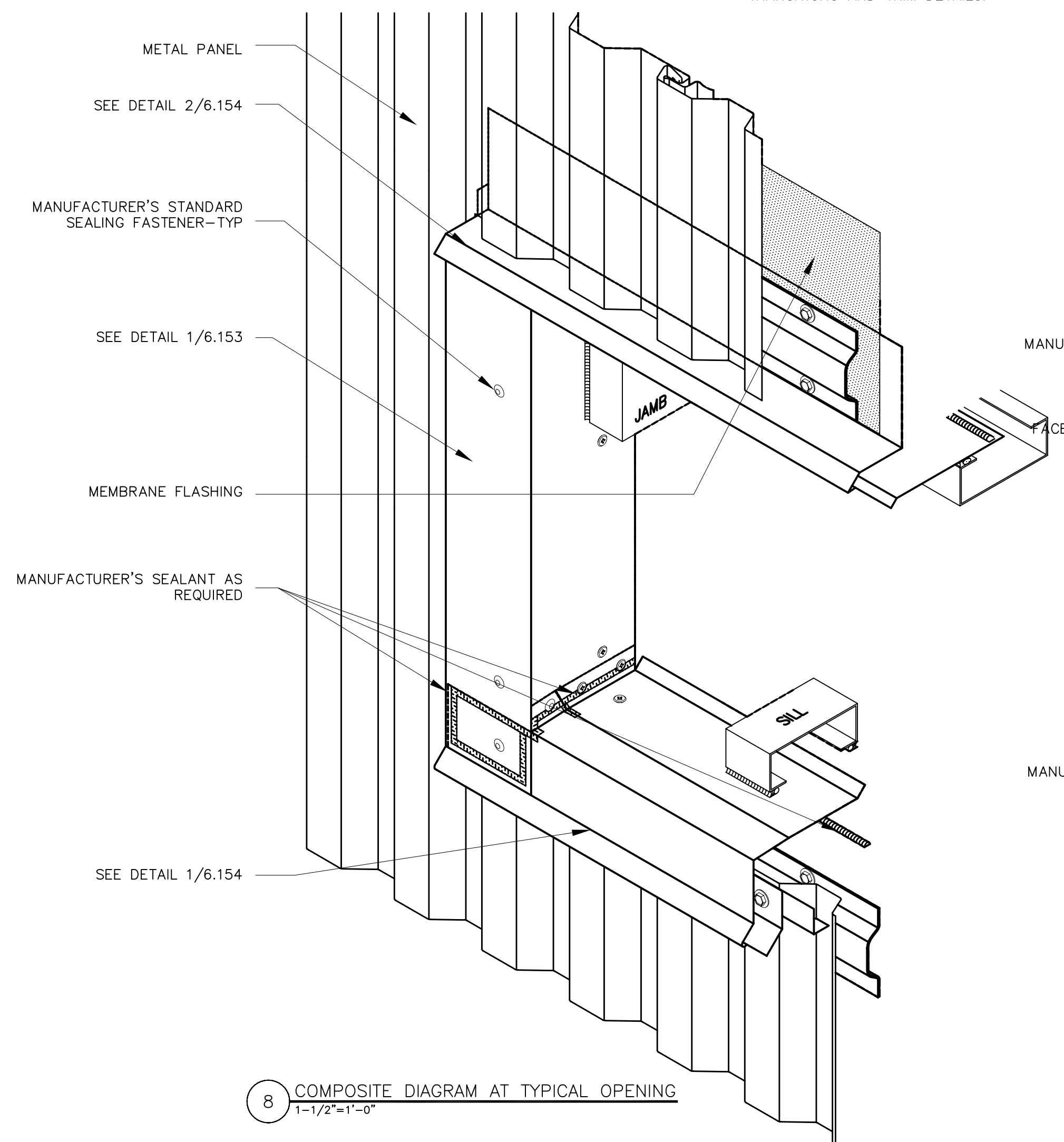
2 EAST ELEVATION
1/8" = 1'-0"

ELEVATION GENERAL NOTES

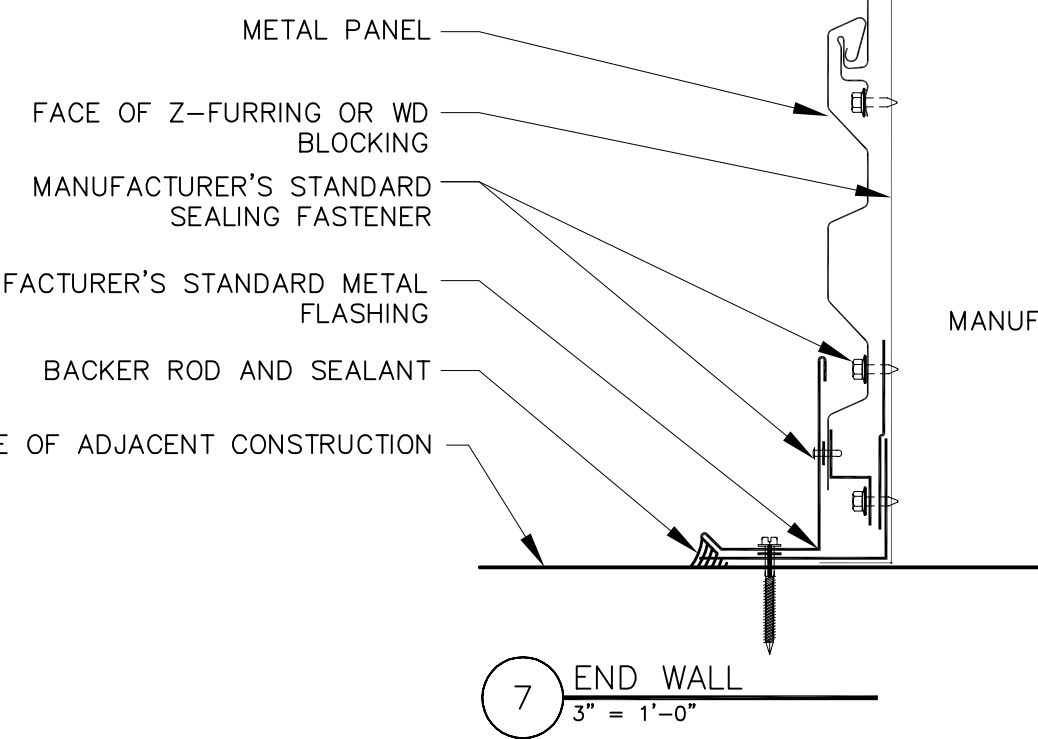
1. LOCATE CONTROL JOINTS IN MASONRY AS SHOWN, OR IF NOT SHOWN, IN ACCORDANCE WITH ACI 530/ACI 530.1, UNLESS NOTED OTHERWISE.
2. SEE SHEET A4.3 FOR TYPICAL METAL SIDING TRANSITIONS AND TRIM DETAILS.



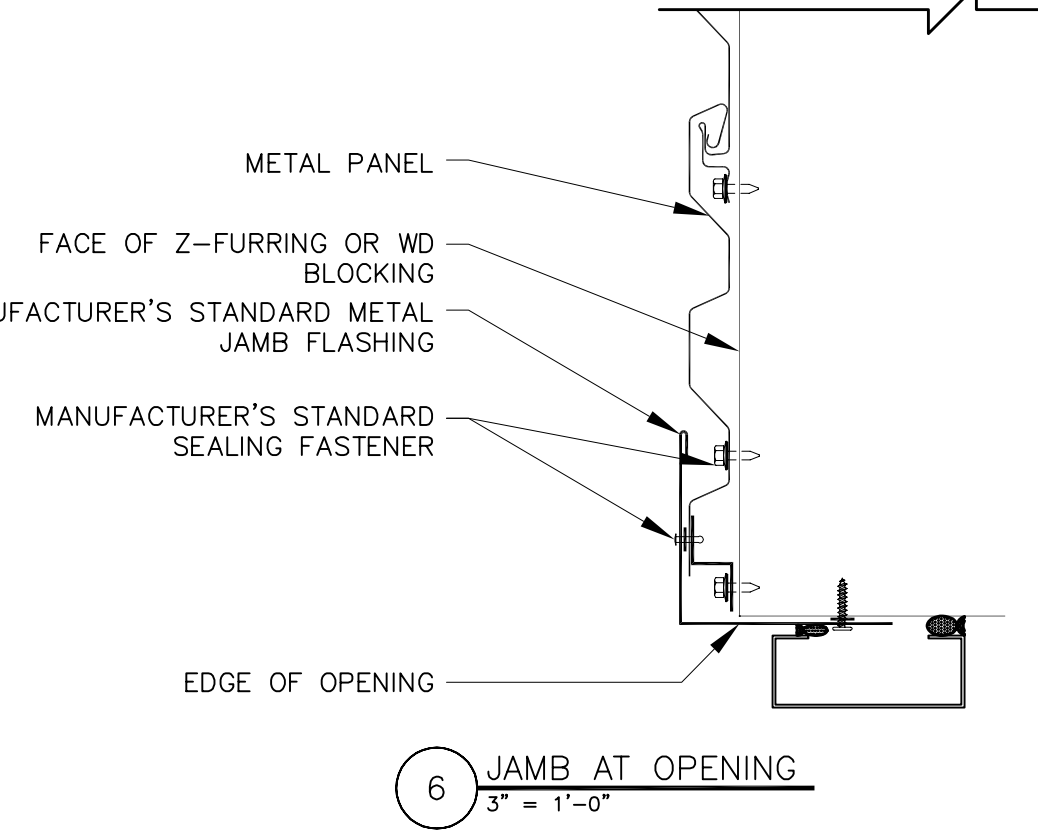
1 WEST ELEVATION
1/8" = 1'-0"



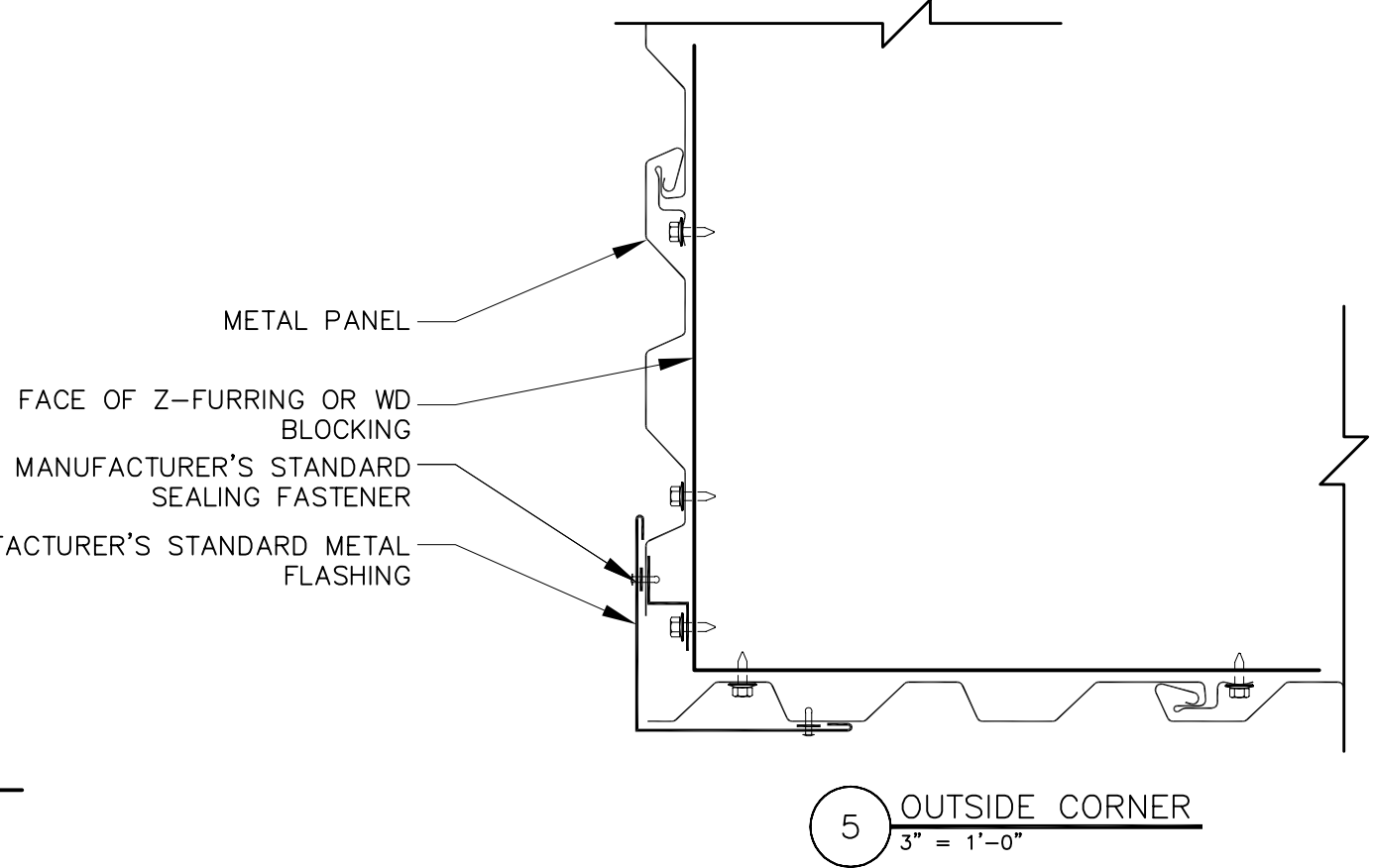
8 COMPOSITE DIAGRAM AT TYPICAL OPENING
1-1/2" = 1'-0"



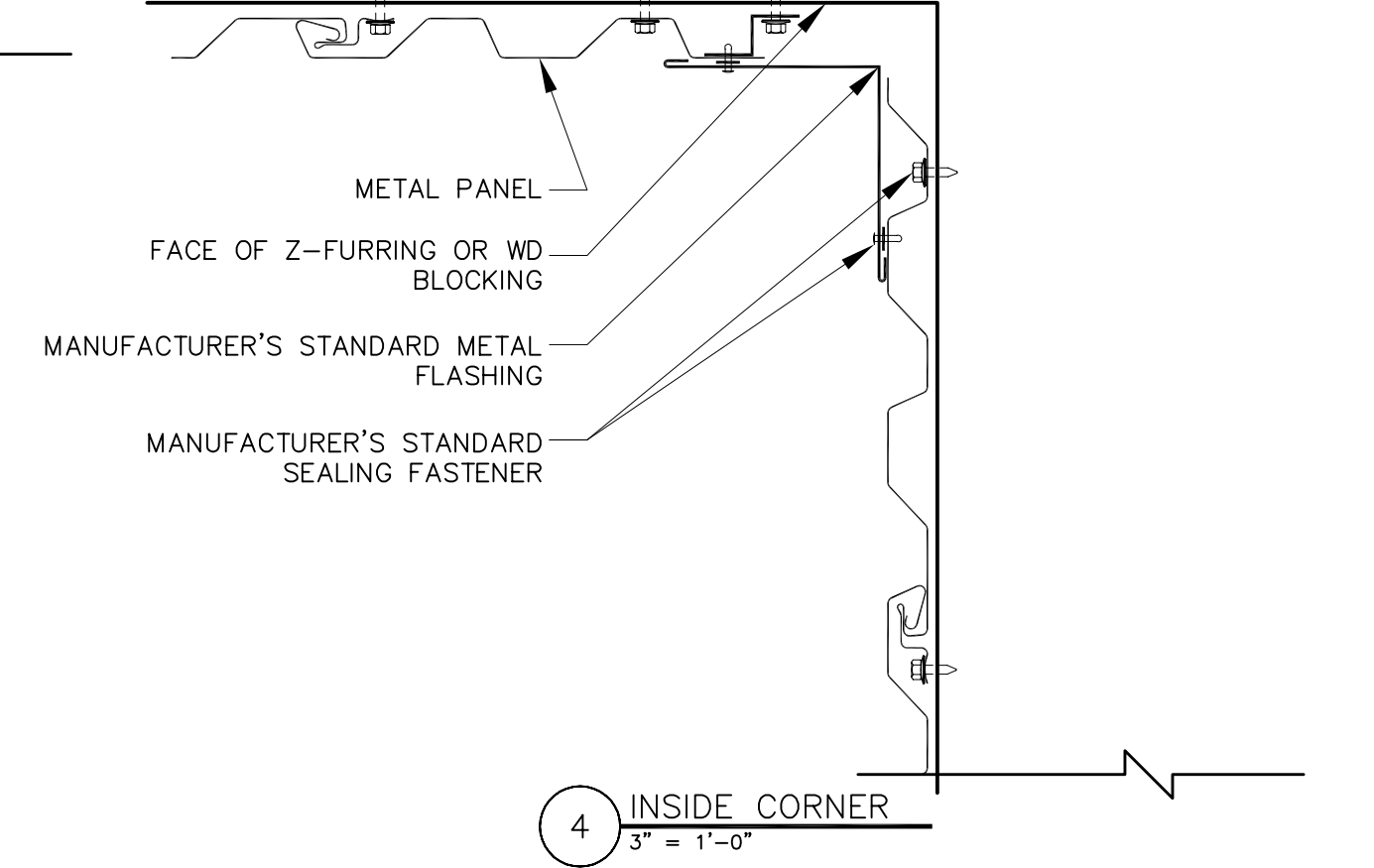
7 END WALL
3" = 1'-0"



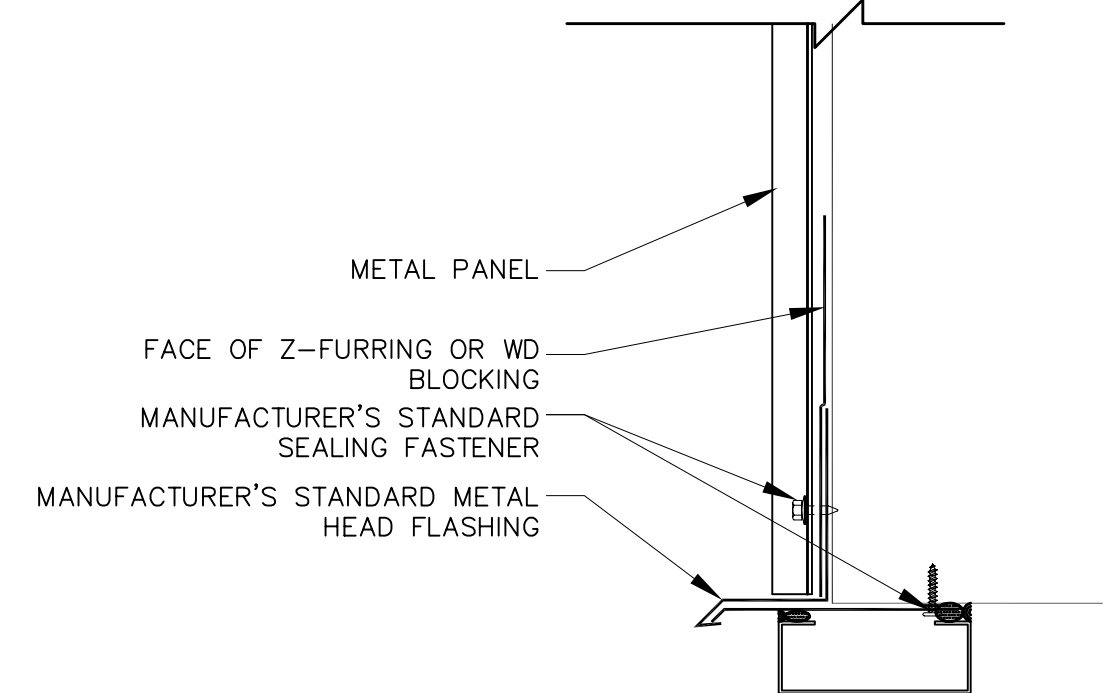
6 JAMB AT OPENING
3" = 1'-0"



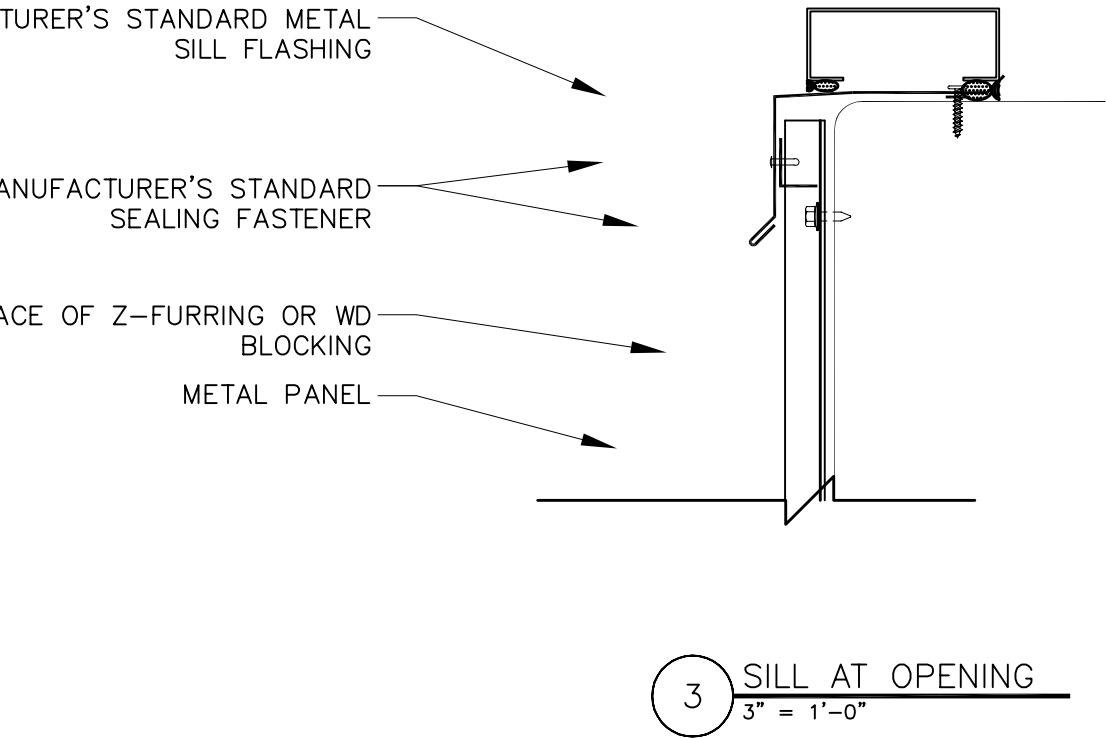
5 OUTSIDE CORNER
3" = 1'-0"



4 INSIDE CORNER
3" = 1'-0"



2 HEAD AT OPENING
3" = 1'-0"



3 SILL AT OPENING
3" = 1'-0"

May 24, 2005 - 4:37pm

H:\Master Proj Files\2 OlympiaSewallStreet MOB\cad\SD\A4X.dwg