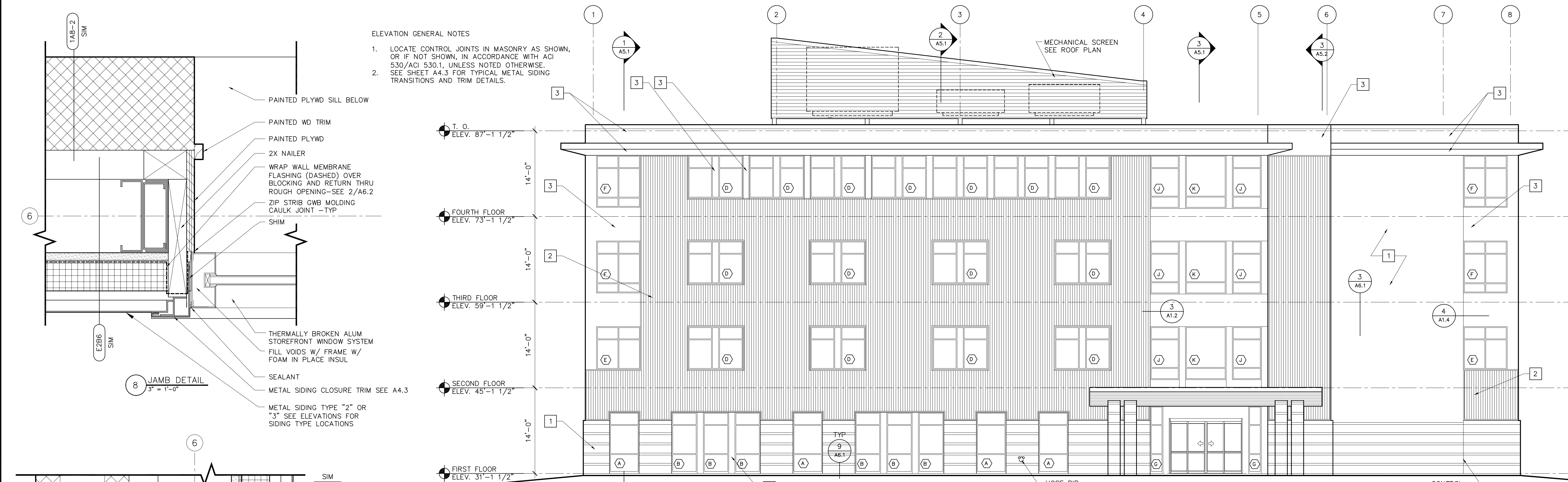


May 24, 2005 - 4:35pm

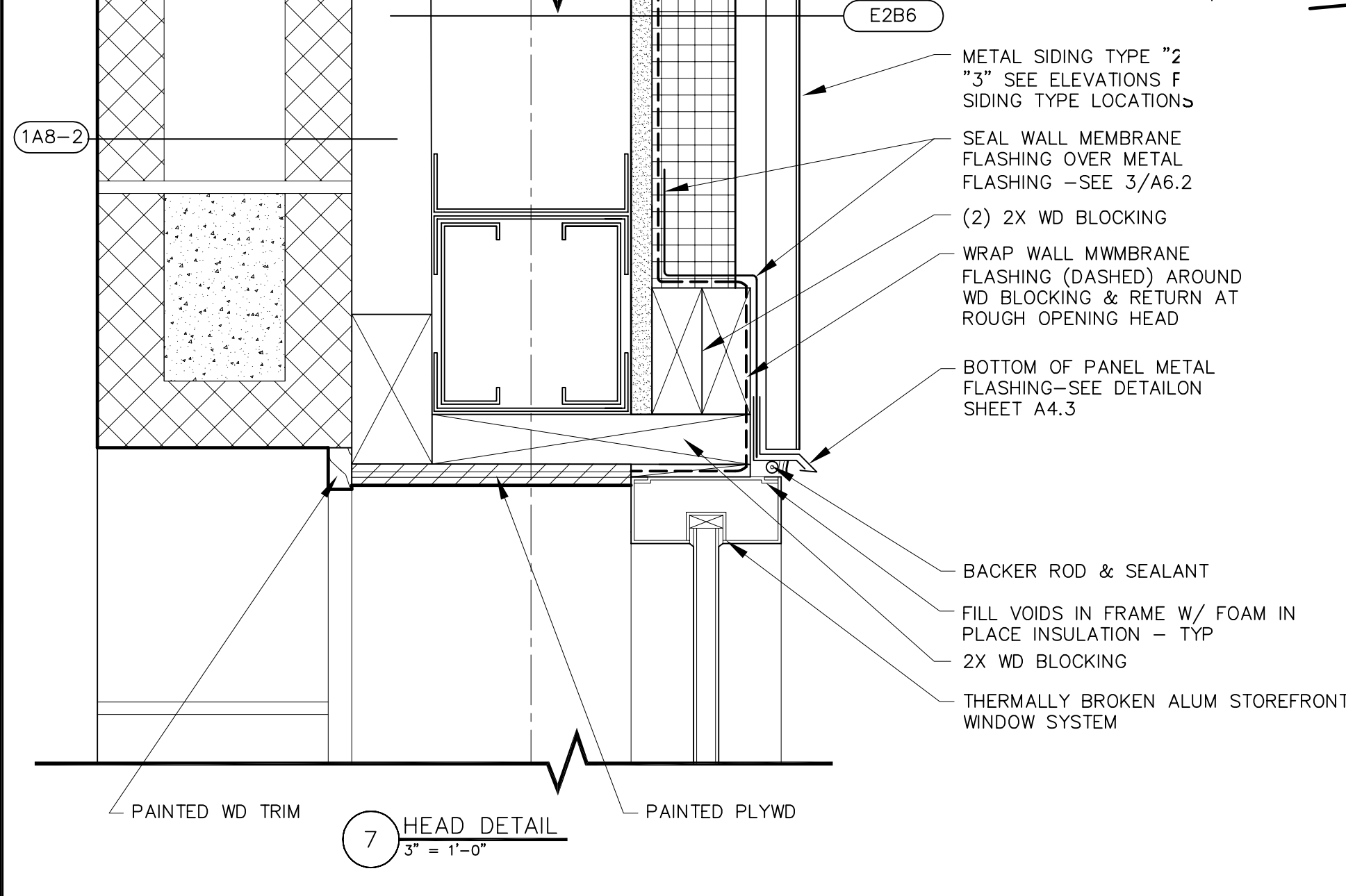
H:\Master Proj Files\2\OlympiaSewallStreet MOB\CAD\SD\A4X.dwg

ELEVATION GENERAL NOTES

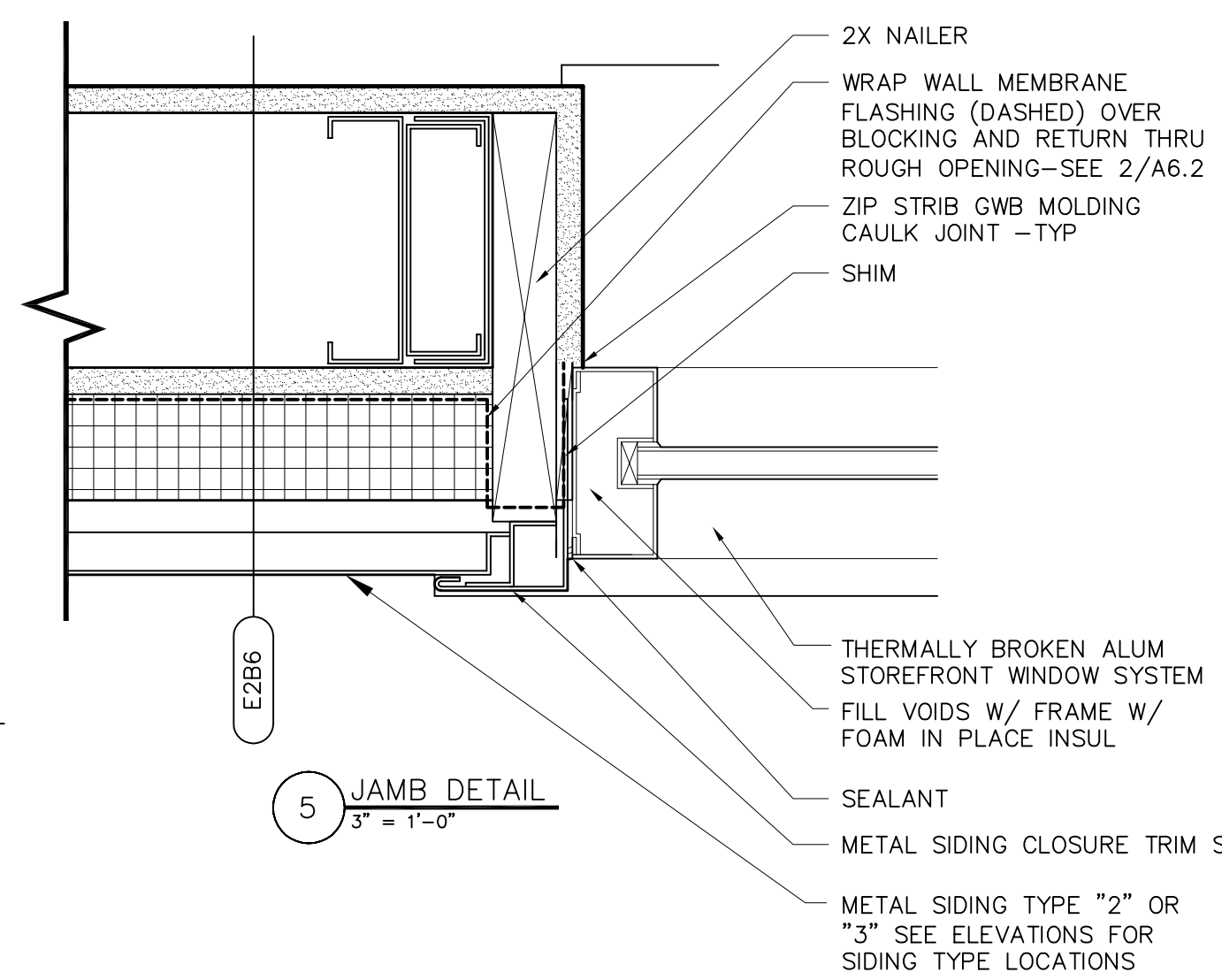
1. LOCATE CONTROL JOINTS IN MASONRY AS SHOWN, OR IF NOT SHOWN, IN ACCORDANCE WITH ACI 530/ACI 530.1, UNLESS NOTED OTHERWISE. SEE SHEET A4.3 FOR TYPICAL METAL SIDING TRANSITIONS AND TRIM DETAILS.



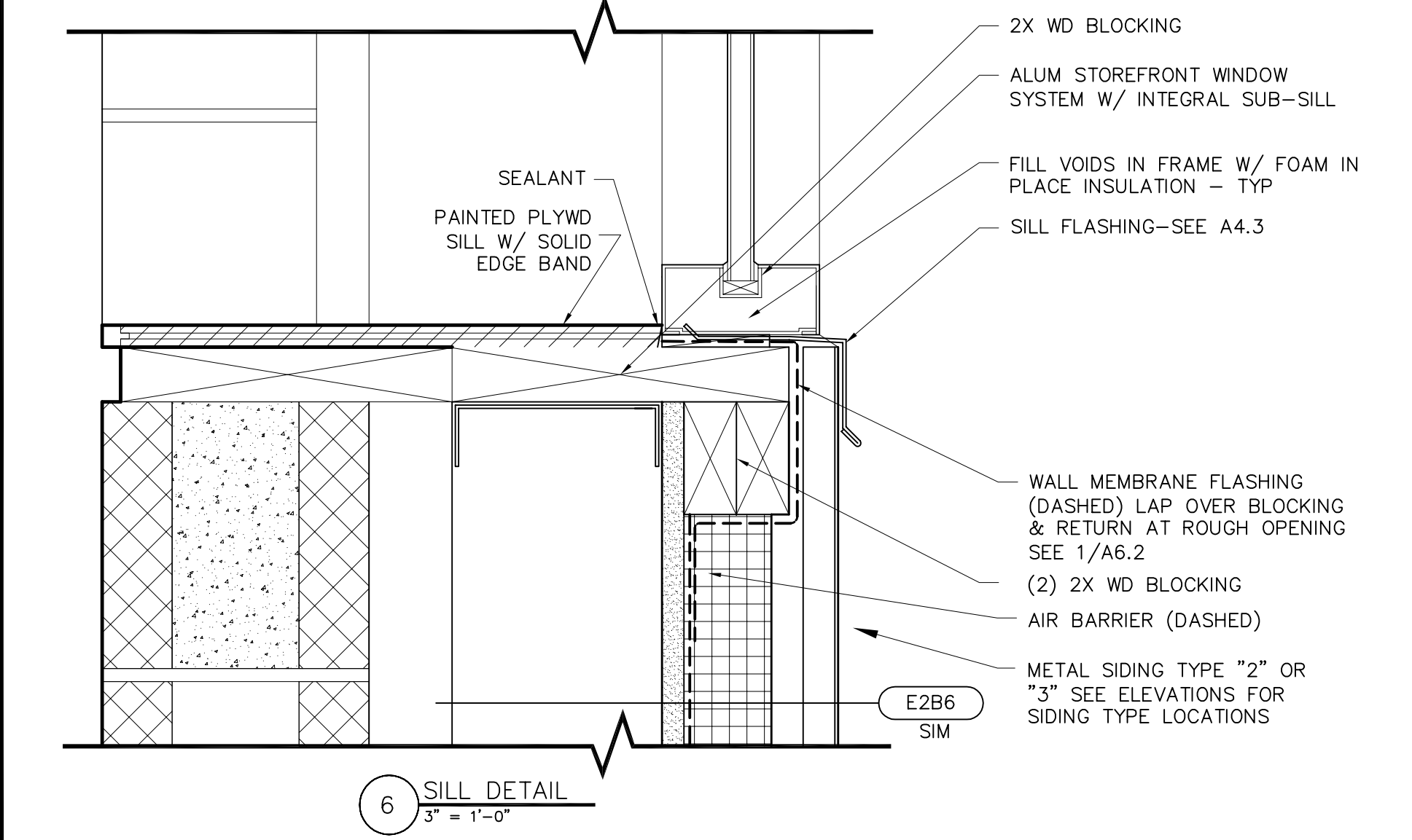
1 NORTH ELEVATION
1/8" = 1'-0"



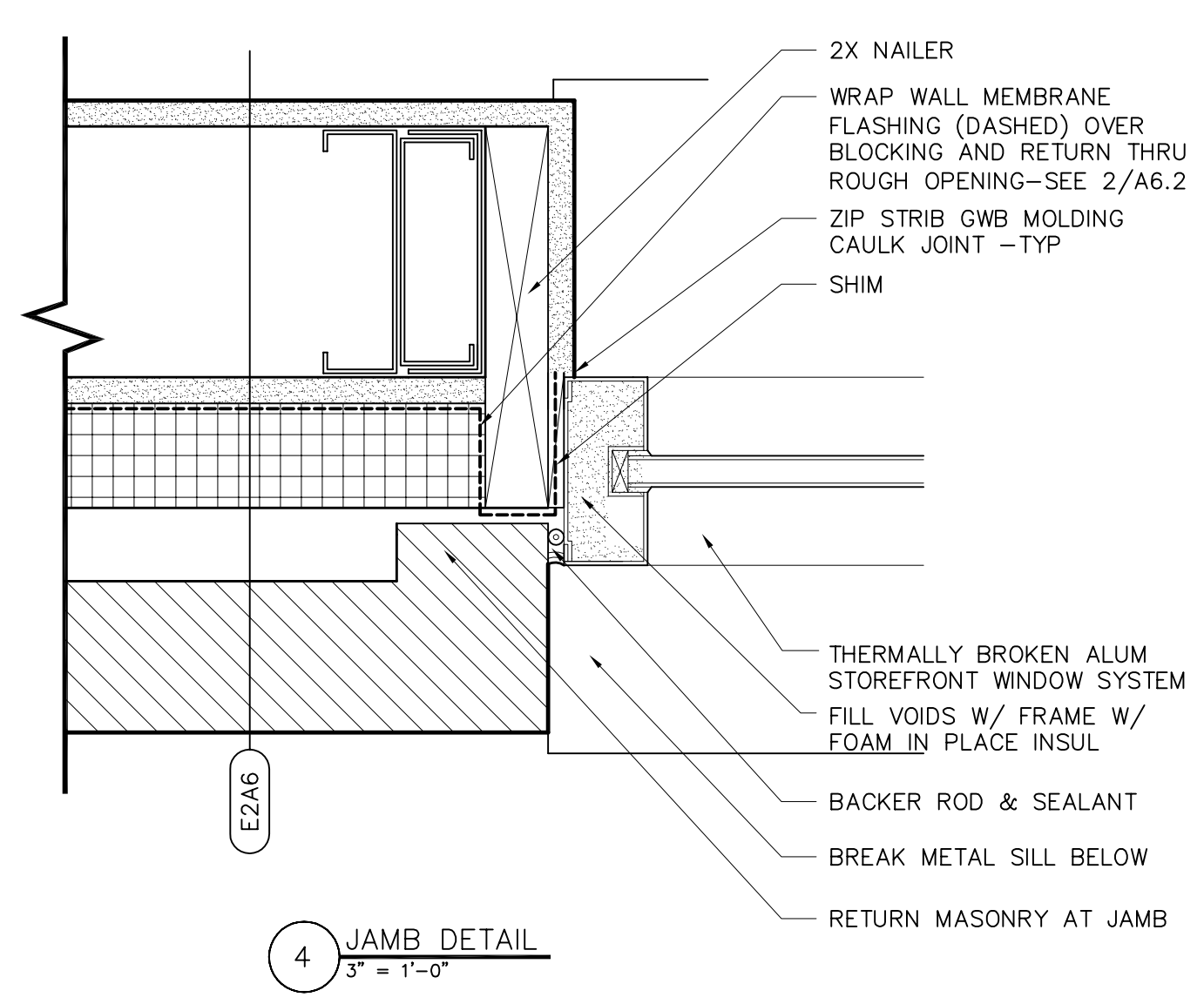
5 JAMB DETAIL
3" = 1'-0"



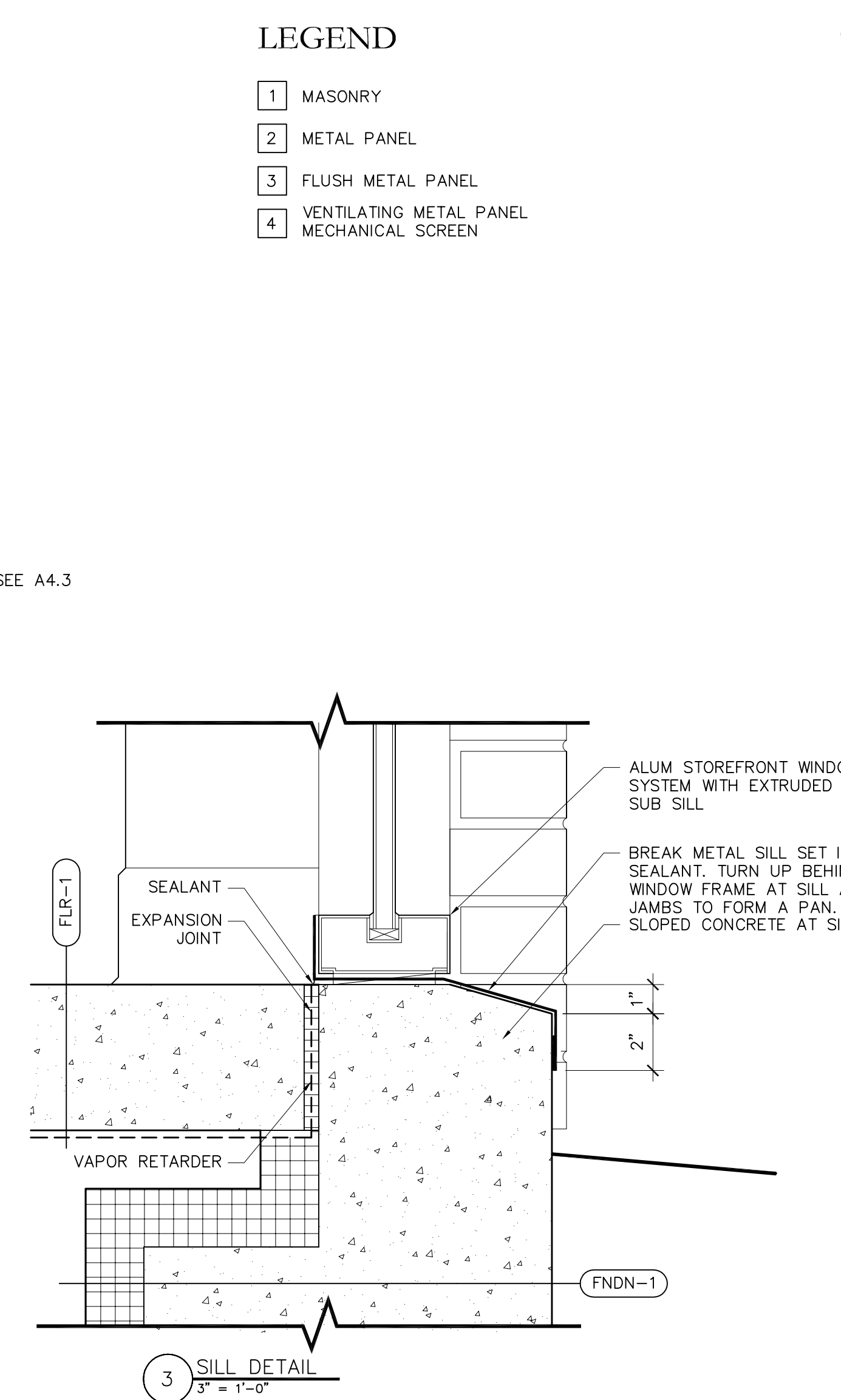
6 JAMB DETAIL
3" = 1'-0"



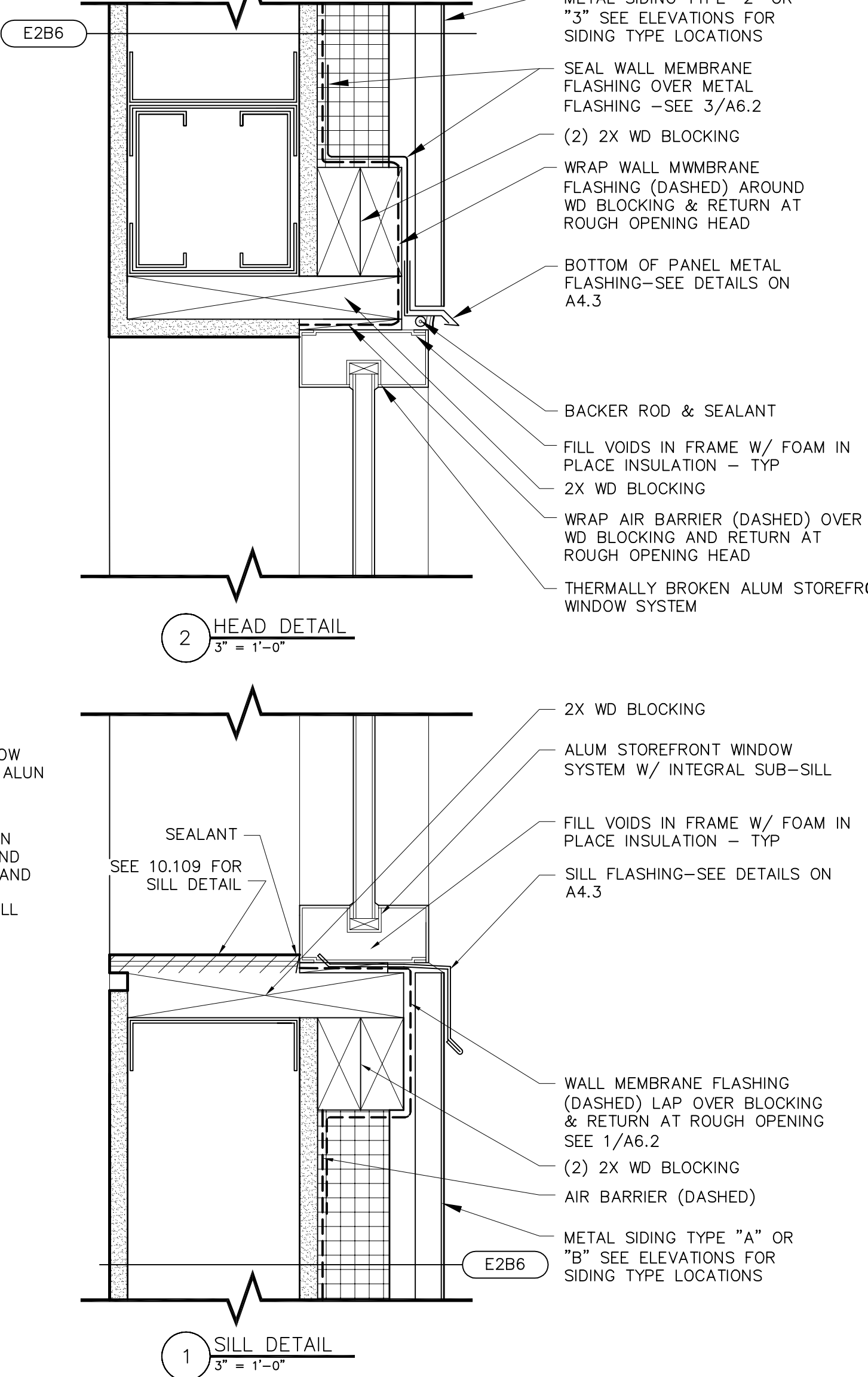
6 SILL DETAIL
3" = 1'-0"



4 JAMB DETAIL
3" = 1'-0"



3 SILL DETAIL
3" = 1'-0"



1 SILL DETAIL
3" = 1'-0"

LEGEND

- 1 MASONRY
- 2 METAL PANEL
- 3 FLUSH METAL PANEL
- 4 VENTILATING METAL PANEL MECHANICAL SCREEN