

May 24, 2005 - 2:29pm

H:\Master Proj Files\2\OlympiaSewallStreet\MOB\Cad\SD\A3.1.dwg

ARCHITECTURE
INTERIORS
PLANNING
P D T
A R C H I T E C T S
49 DARTMOUTH STREET
PORTLAND, ME 04109
207-755-2064 FAX

COPYRIGHT 2005
PDT Architects
Reuse or reproduction of the
contents of this document is not
permitted without written
permission of PDT Architects.

50 Sewall Street
PORTLAND, MAINE

OLYMPIA EQUITY INVESTORS

JOB NO.
04-132

DRAWN:
tak

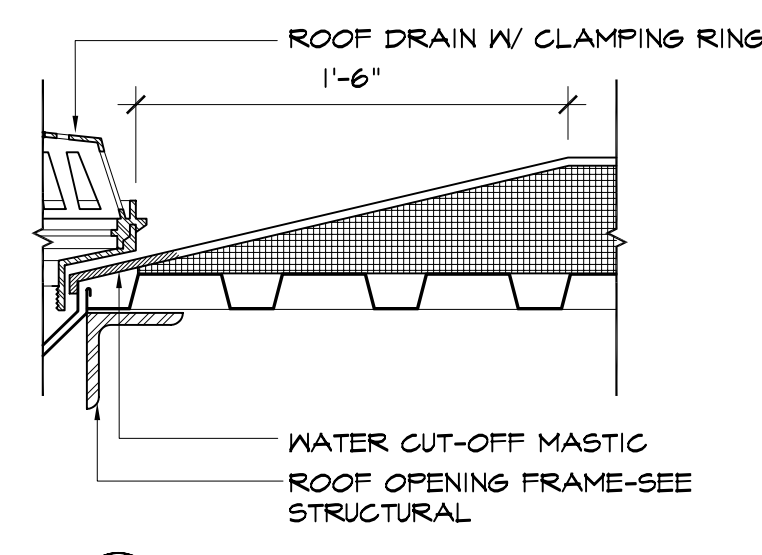
SCALE:
As Noted

ISSUE
24 MAY 2005

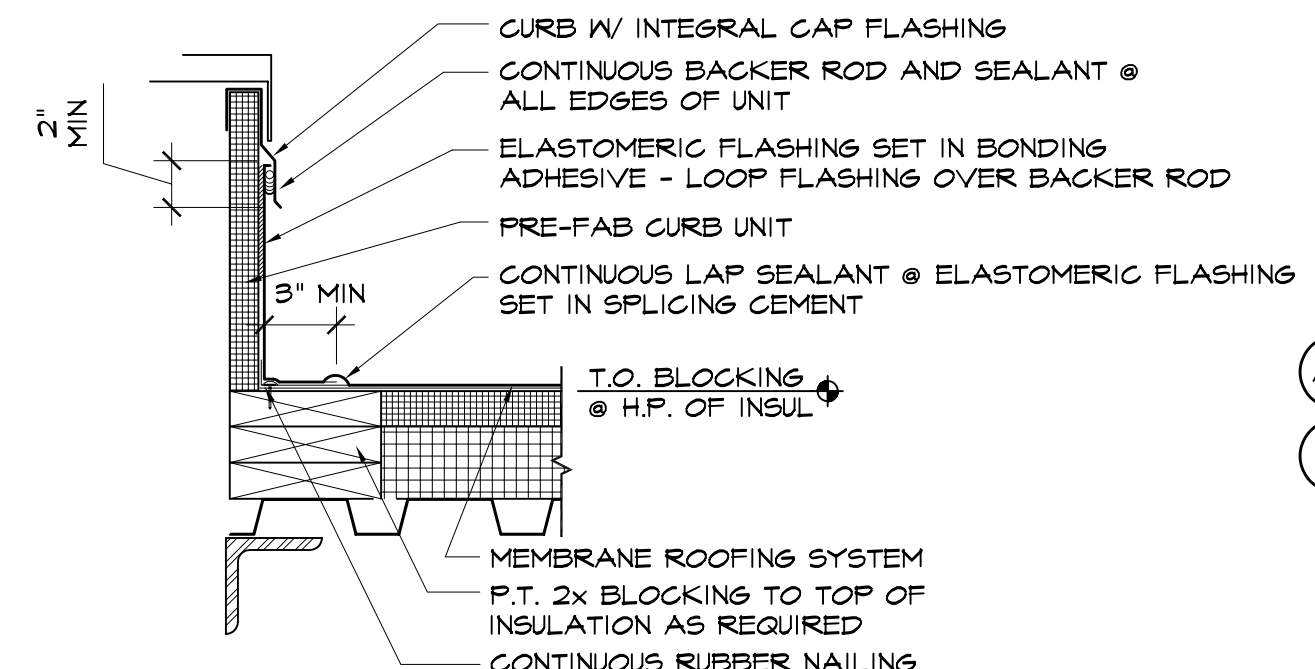
TITLE
Roof Plan
Roof Details

SHEET

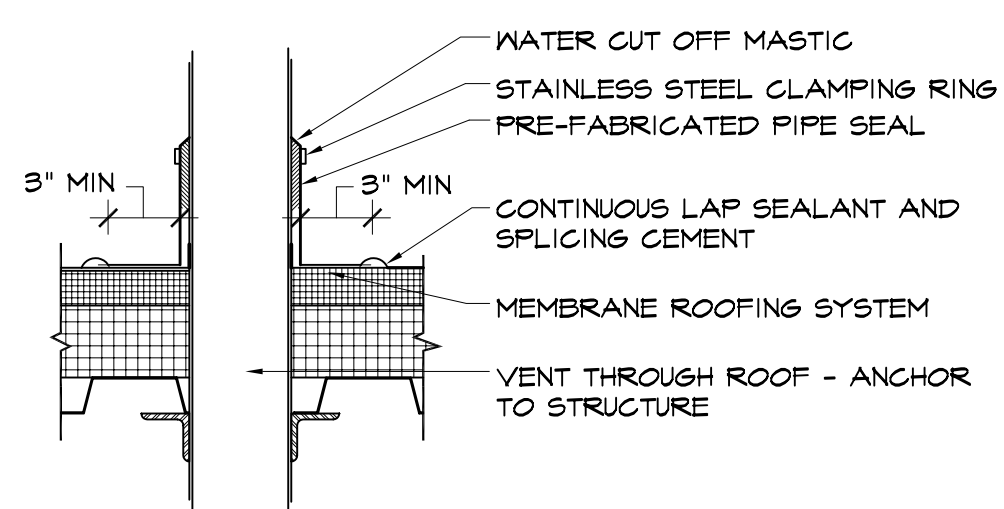
A3.1



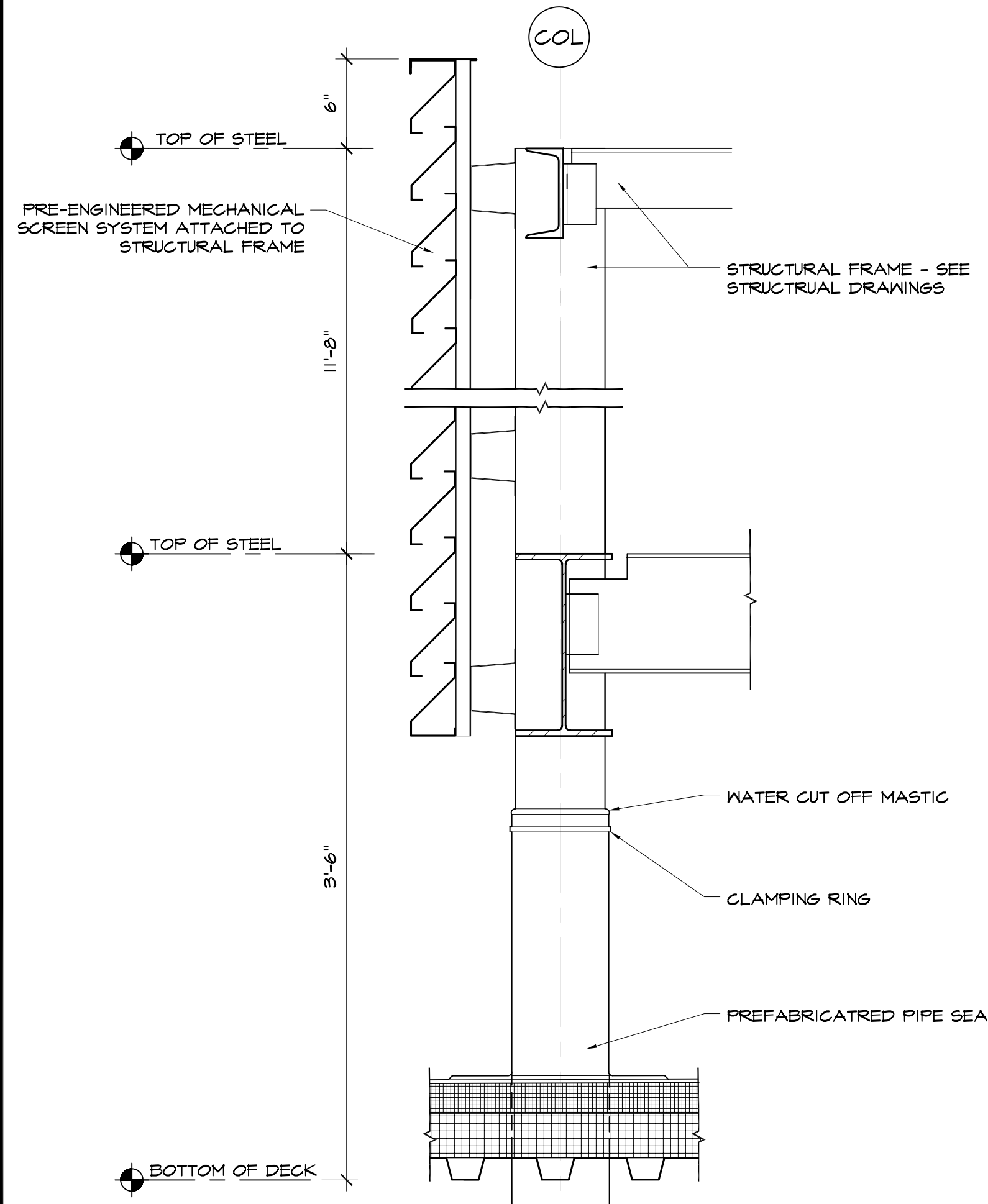
7 ROOF DRAIN DETAIL
1/2" = 1'-0"



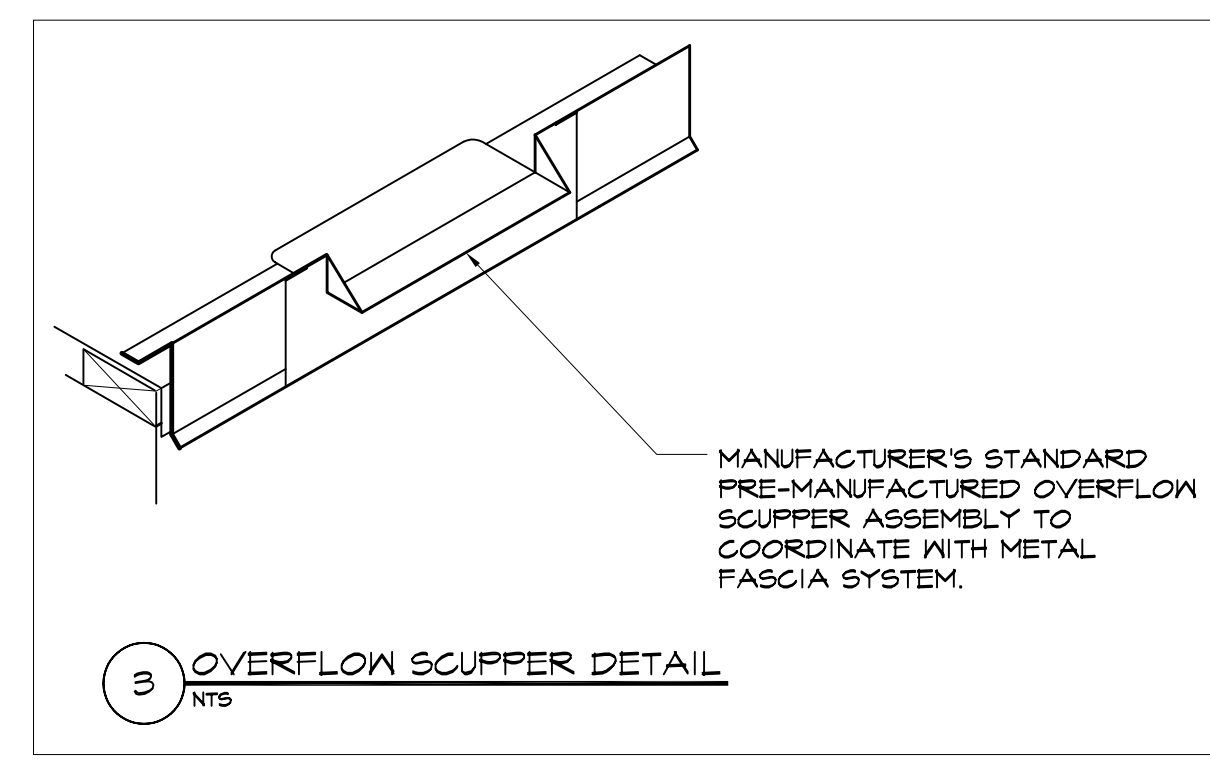
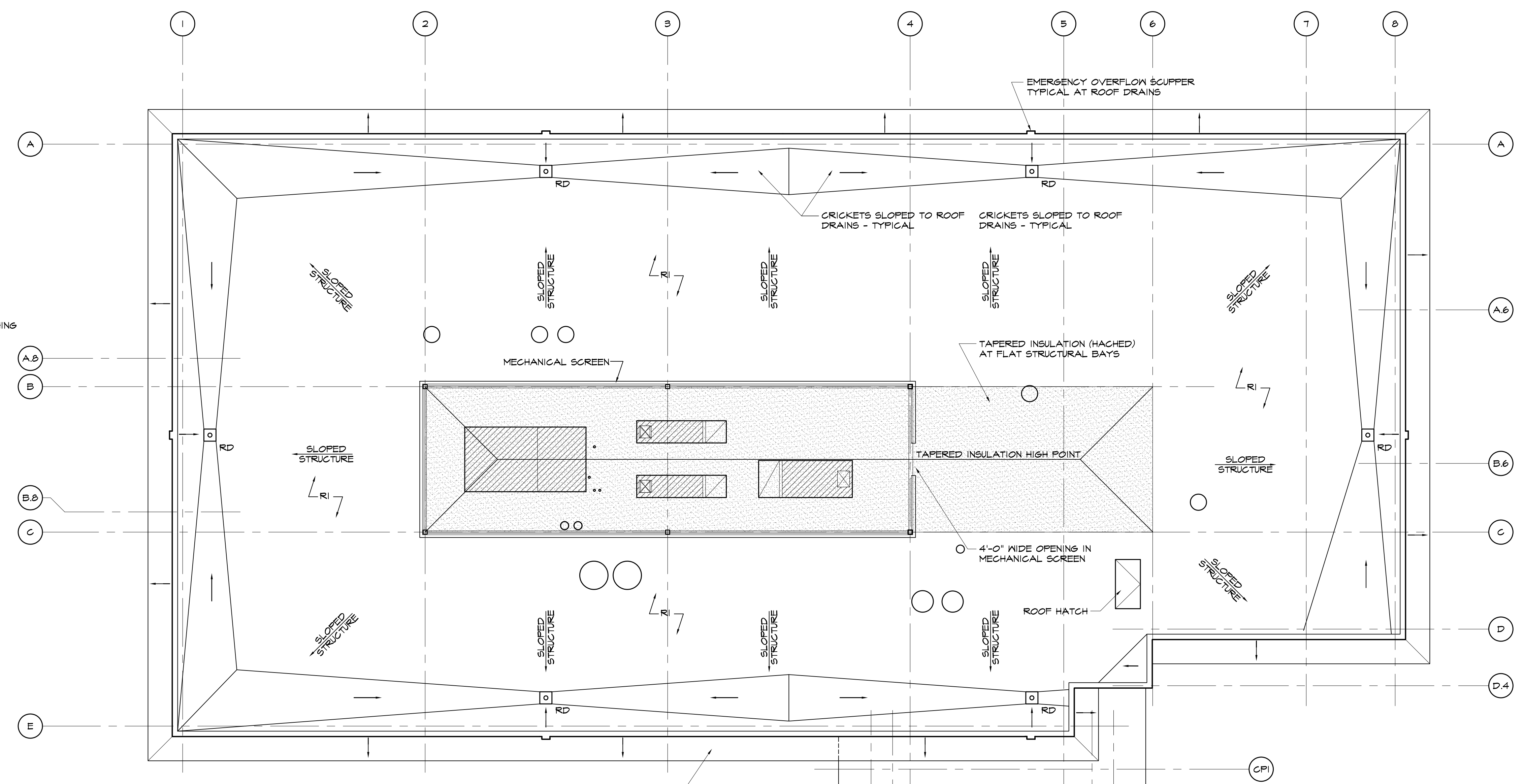
6 PRE-FAB CURB DETAIL
1/2" = 1'-0"



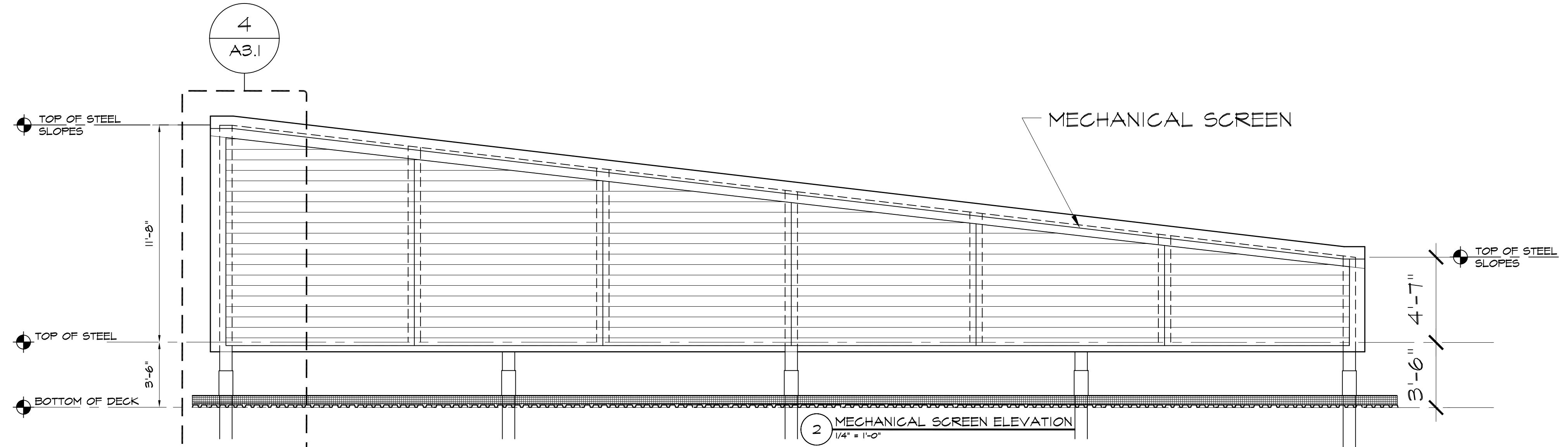
5 VENT THRU ROOF DETAIL
1/2" = 1'-0"



4 ROOF DRAIN DETAIL
1/2" = 1'-0"



3 OVERFLOW SCUPPER DETAIL
NTS



2 MECHANICAL SCREEN ELEVATION
1/4" = 1'-0"