

PLANS PREPARED FOR:

**U S Cellular**  
 We connect with you  
 10 Corporate Drive, Suite 210, Bedford, NH 03110

PROJECT INFORMATION

**853329 - DOUBLE TREE**  
 1230 CONGRESS STREET  
 PORTLAND, ME NE 04101  
 (CUMBERLAND COUNTY)

PLANS PREPARED BY:

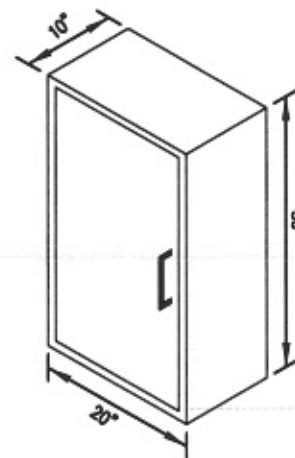
**amec**

511 Congress Street Suite 200, Portland ME 04101  
 P: (207) 774-5401 F: (207) 775-4762 www.amec.com

PROJECT COORDINATION & MANAGEMENT:

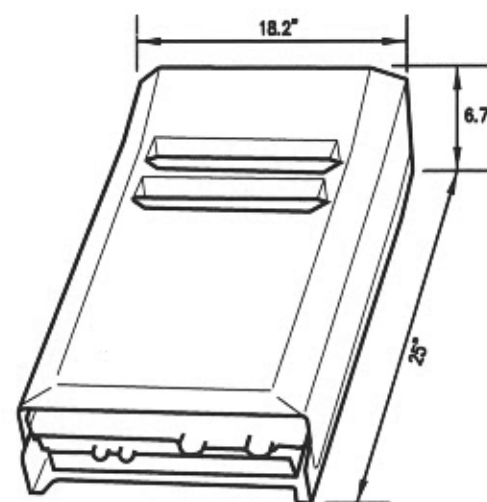
**KJK Wireless, LLC**  
 127 Ridge Road, Nashua, NH 03062  
 Phone: (603) 888-8974

SEAL



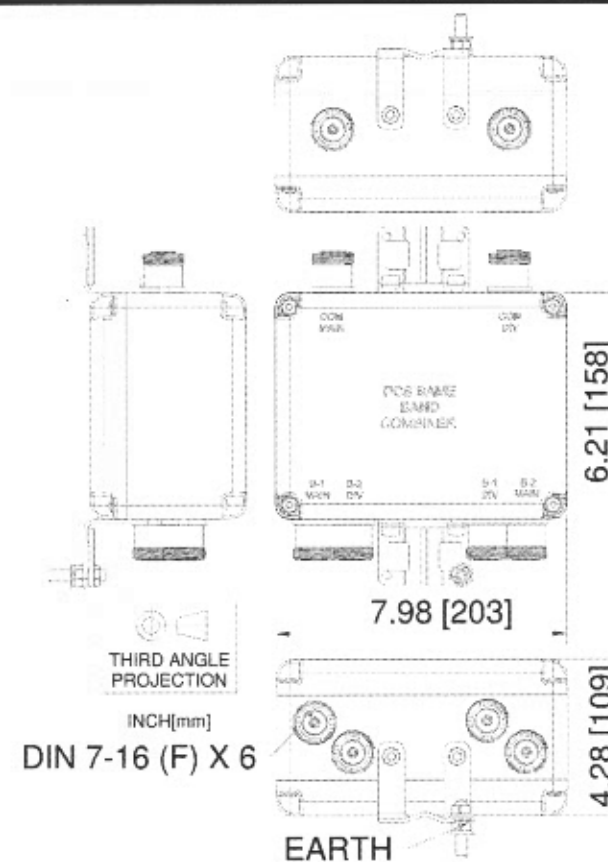
**TYPICAL CAC-A32214090 DETAIL**

SCALE: N.T.S.



**TYPICAL RRUS DETAIL**

SCALE: N.T.S.



**TYPICAL DBC0081F1VX-1COMBINER DETAIL**

SCALE: N.T.S.

REV	DATE	ISSUED FOR
△	06/06/13	ISSUED FOR CONSTRUCTION

PROJECT NO: 3618138235

DRAWN BY: CBM

RELEASED BY: MSD

SHEET TITLE  
**PROPOSED EQUIPMENT DETAILS**

SHEET NUMBER	REVISION:
<b>C3</b>	<b>0</b>