

PLANS PREPARED FOR:



PROJECT INFORMATION

853329 - DOUBLE TREE
1230 CONGRESS STREET
PORTLAND, ME NE 04101
(CUMBERLAND COUNTY)

PLANS PREPARED BY:



343 Gorham Road, South Portland ME 04106
P: (207) 761-1770 F: (207) 774-1246 www.amec.com

PROJECT COORDINATION & MANAGEMENT:

KJK Wireless, LLC
127 Ridge Road, Nashua, NH 03062
Phone: (603) 888-8974

SEAL



REV	DATE	ISSUED FOR
1	06/06/13	ISSUED FOR CONSTRUCTION

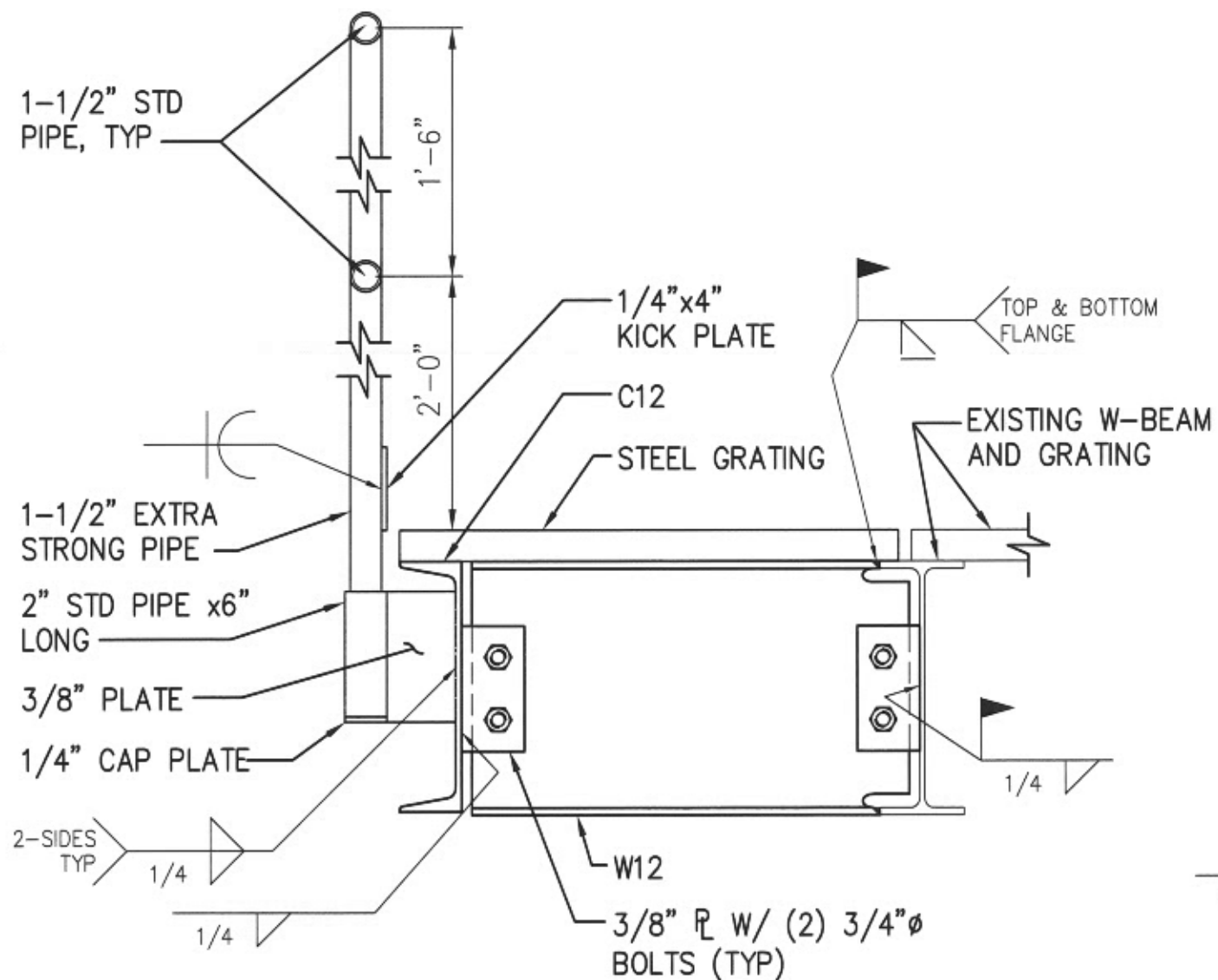
PROJECT NO: 3618138235

DRAWN BY: E.J.G.

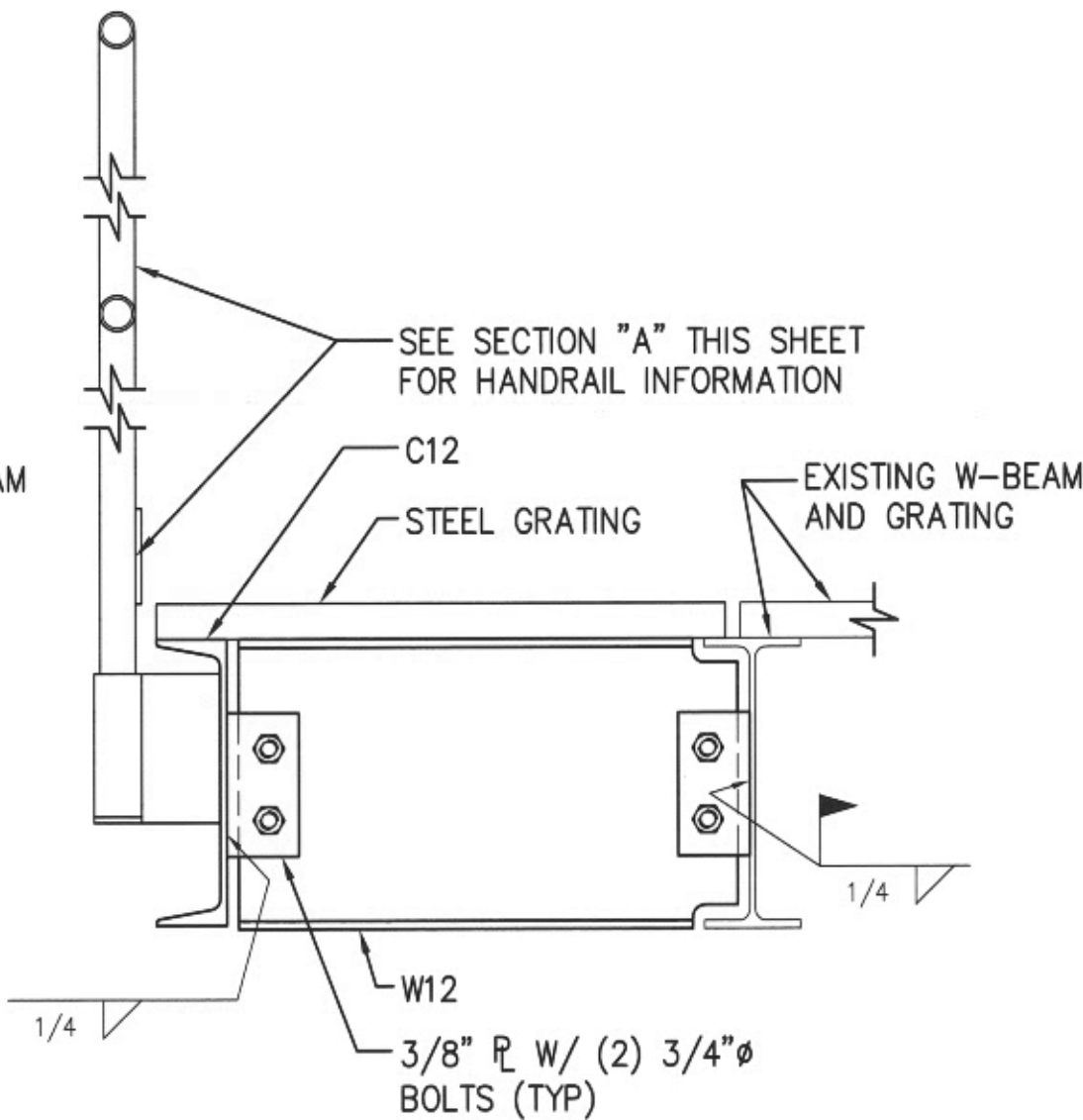
RELEASED BY: MSD

SHEET TITLE
STRUCTURAL SECTIONS AND DETAILS

SHEET NUMBER C2	REVISION: 0
---------------------------	-----------------------



A
C2 SECTION AT FRAMING—MOMENT CONN.
SCALE: 1-1/2"=1'-0"



B
C2 SECTION AT FRAMING
SCALE: 1-1/2"=1'-0"