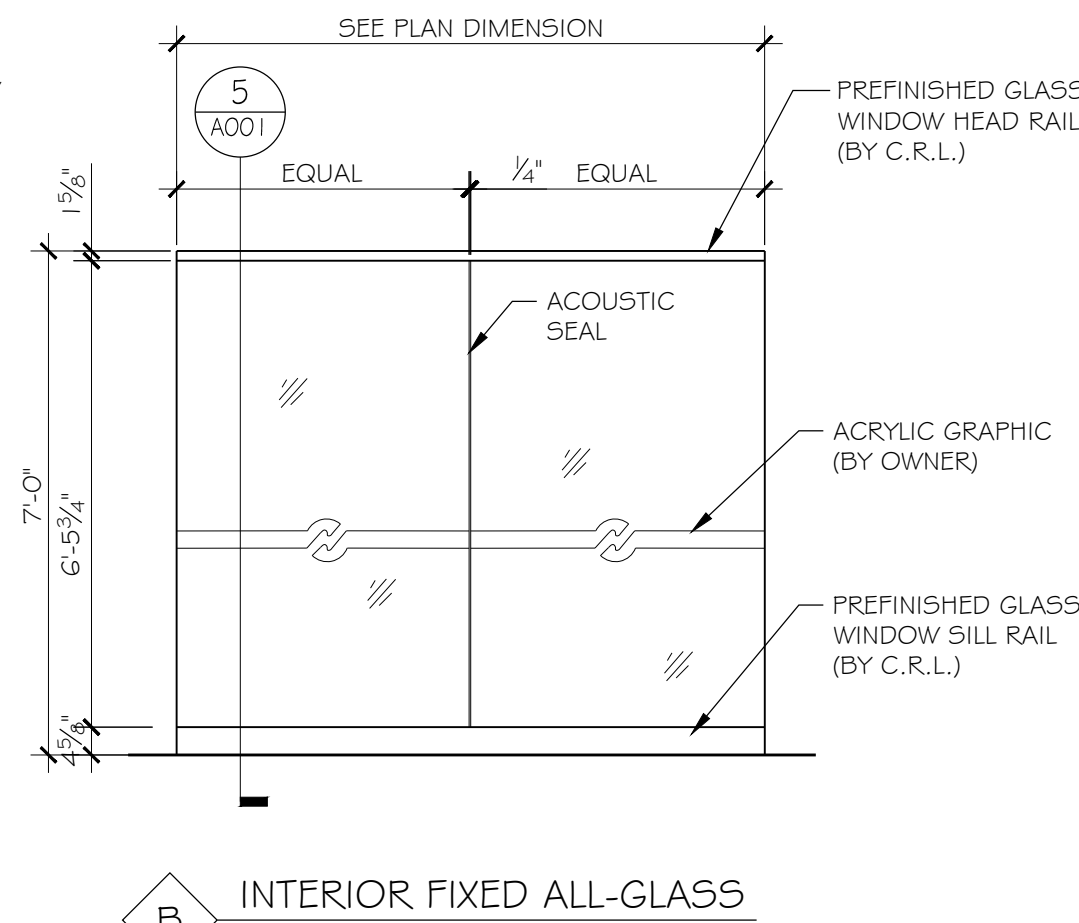
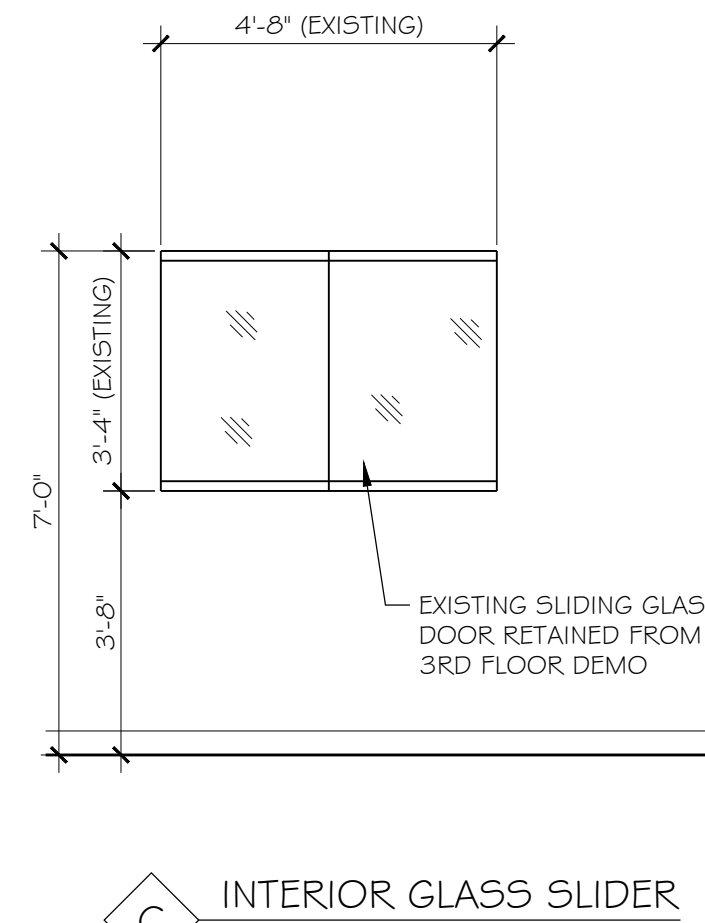


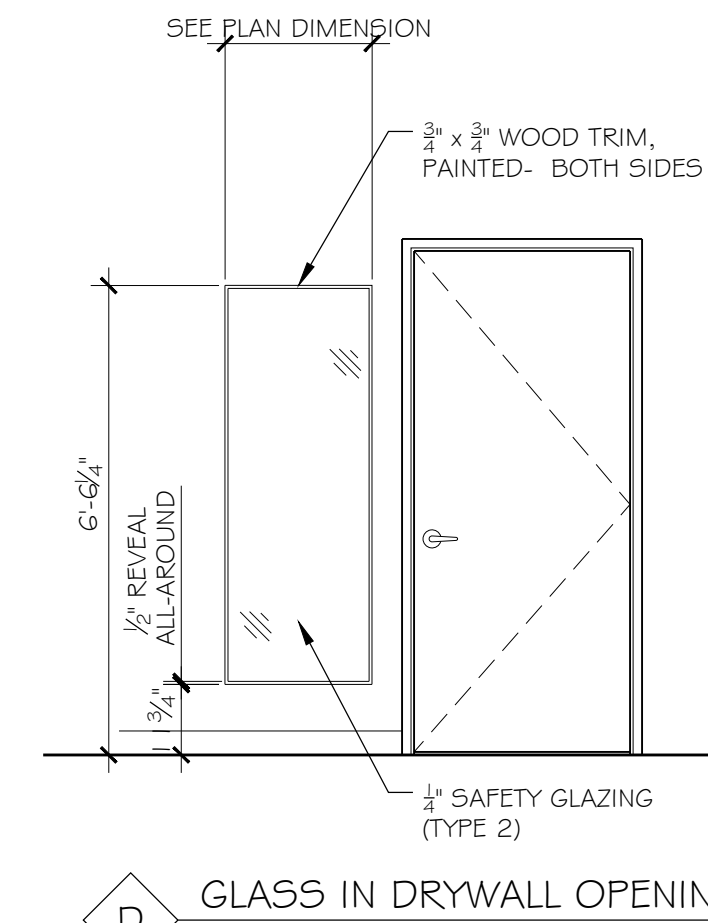
A INTERIOR FIXED ALL-GLASS W/ DOOR



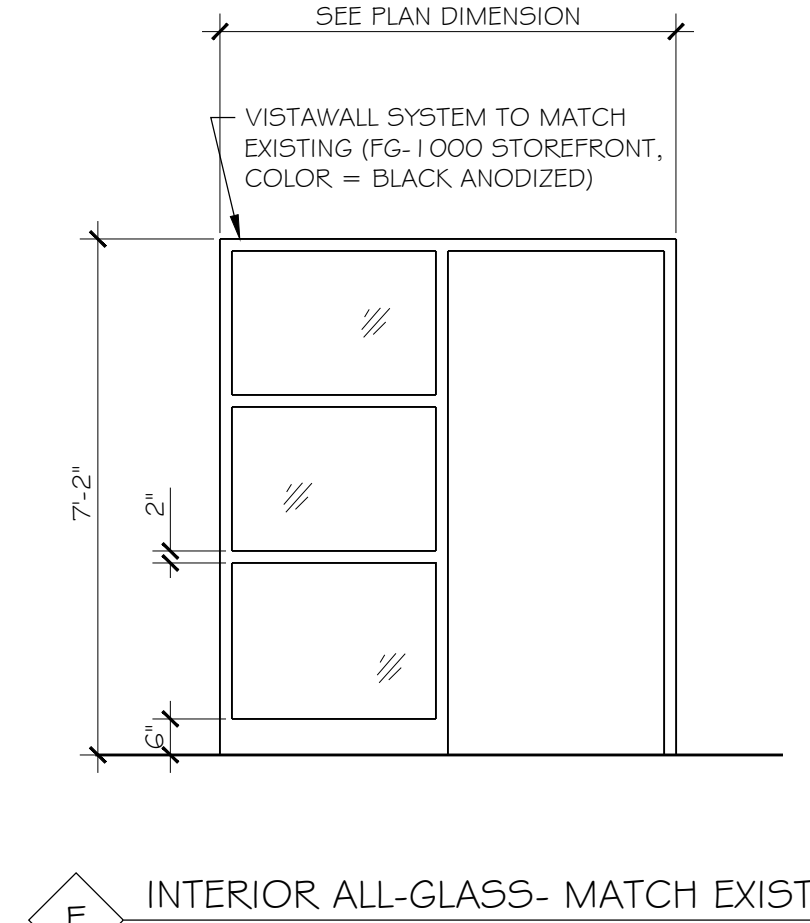
B INTERIOR FIXED ALL-GLASS



C INTERIOR GLASS SLIDER



D GLASS IN DRYWALL OPENING



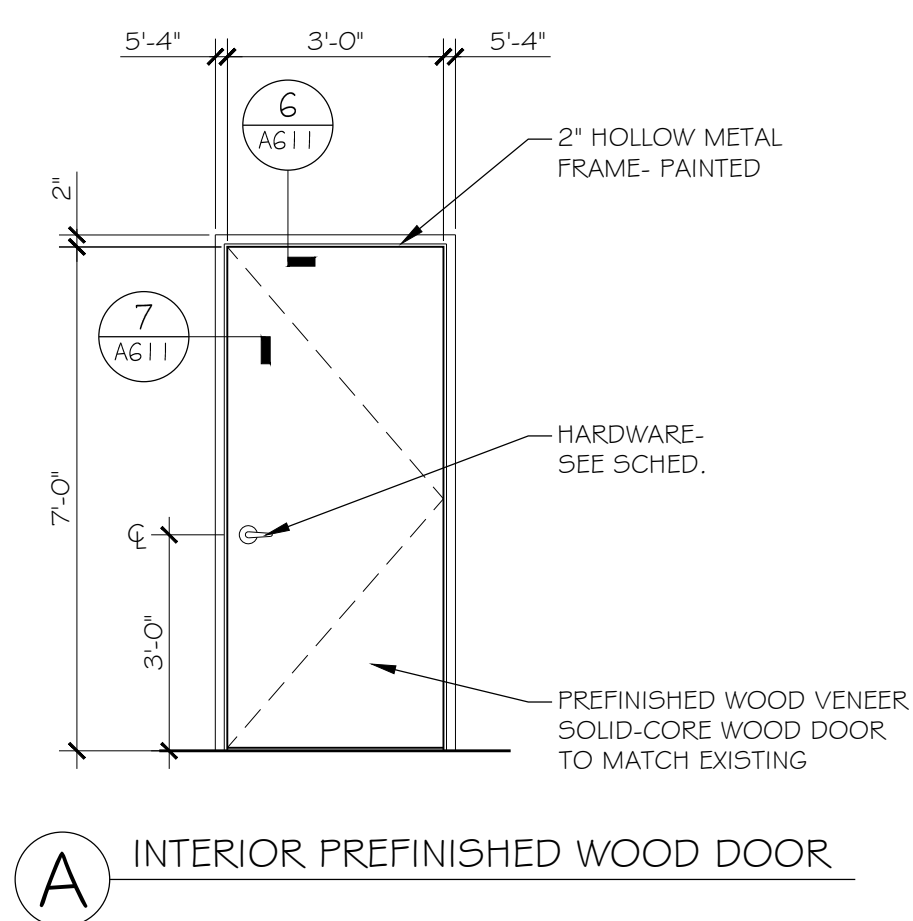
E INTERIOR ALL-GLASS- MATCH EXIST

5 GLASS WALL DETAIL

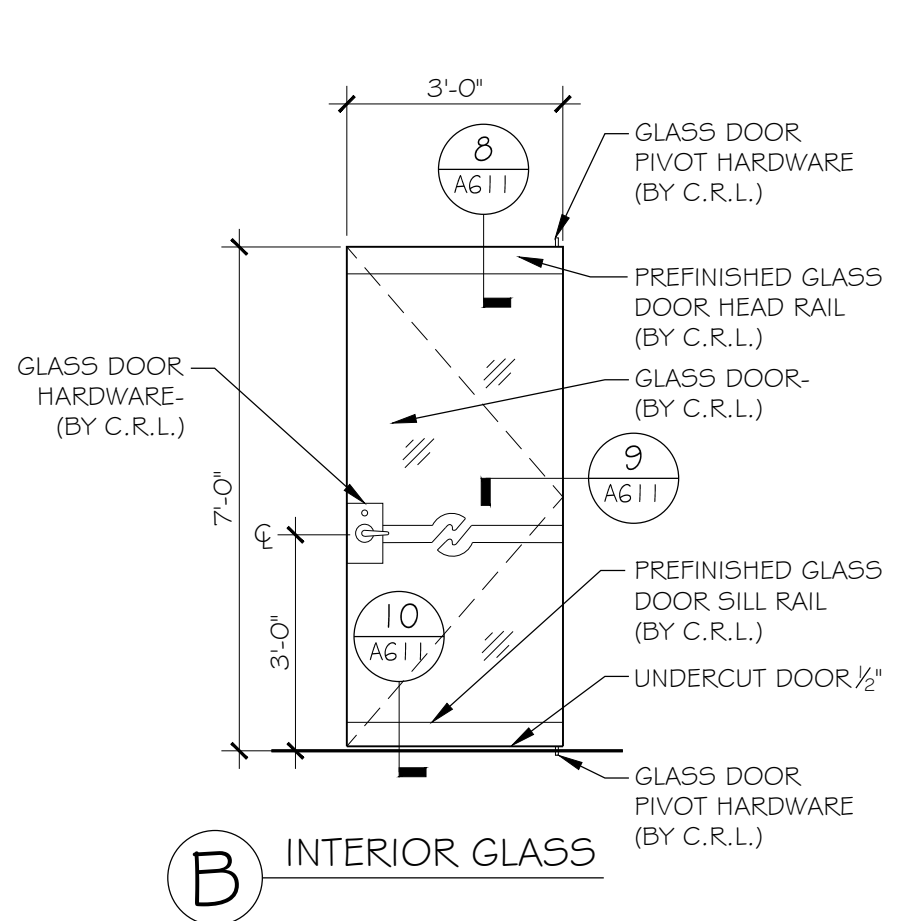
A001 SCALE: 1" = 1'-0"

4 WINDOW TYPES

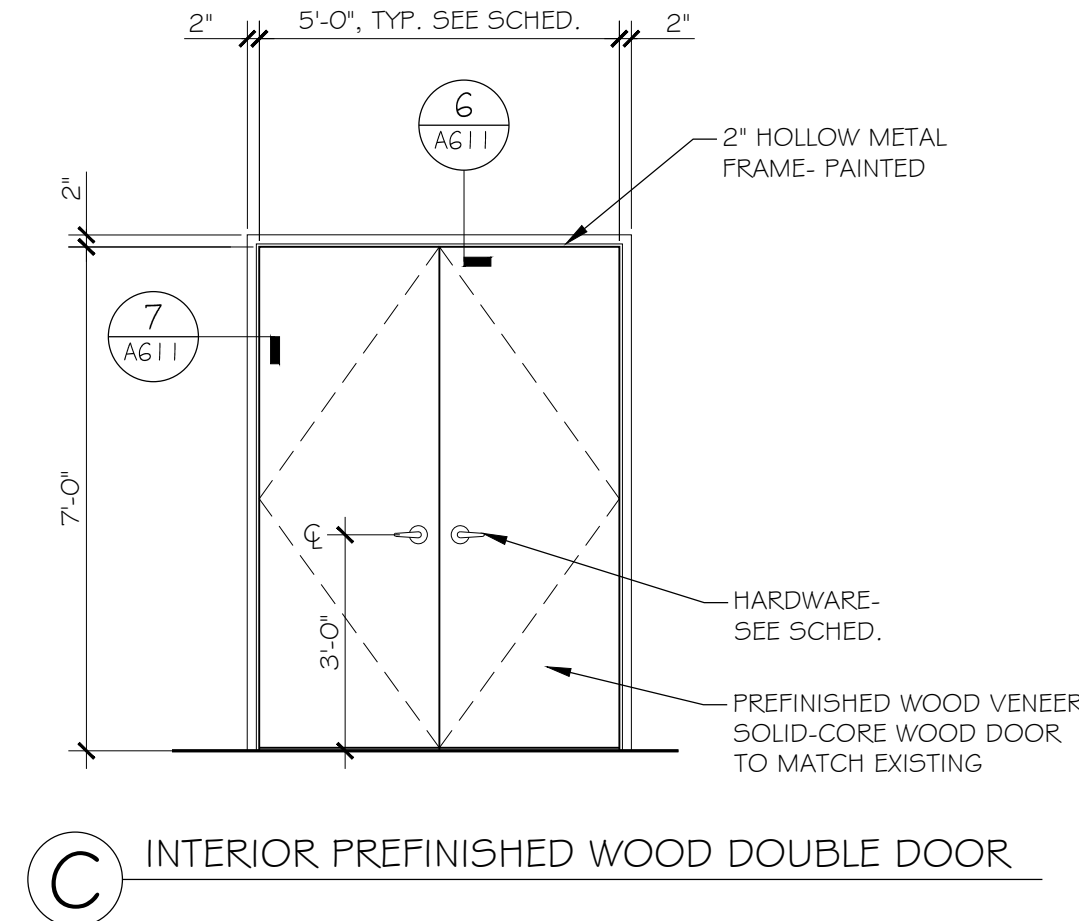
A101-A103 SCALE: 1/2" = 1'-0"



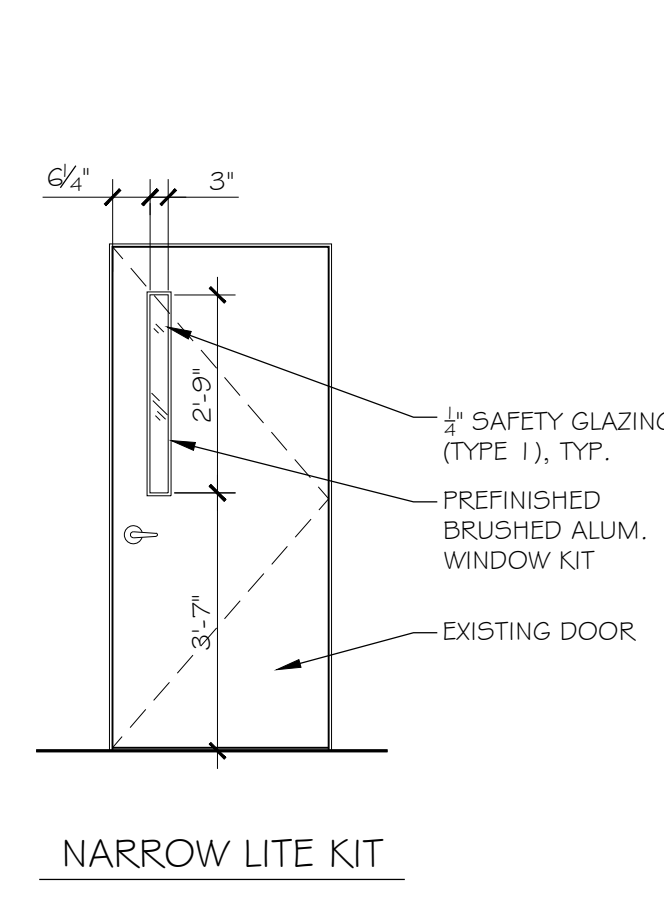
A INTERIOR PREFINISHED WOOD DOOR



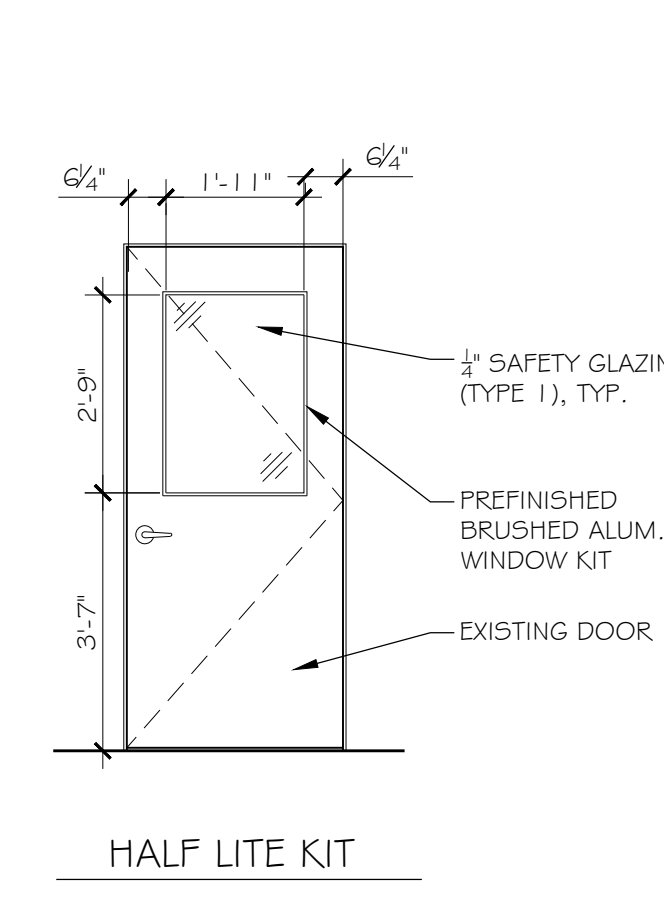
B INTERIOR GLASS



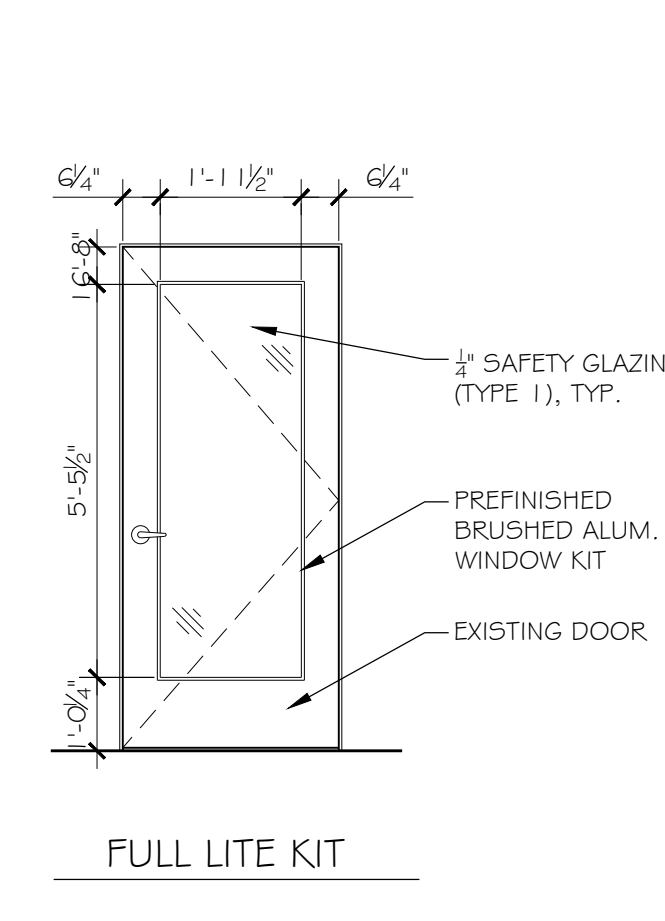
C INTERIOR PREFINISHED WOOD DOUBLE DOOR



NARROW LITE KIT



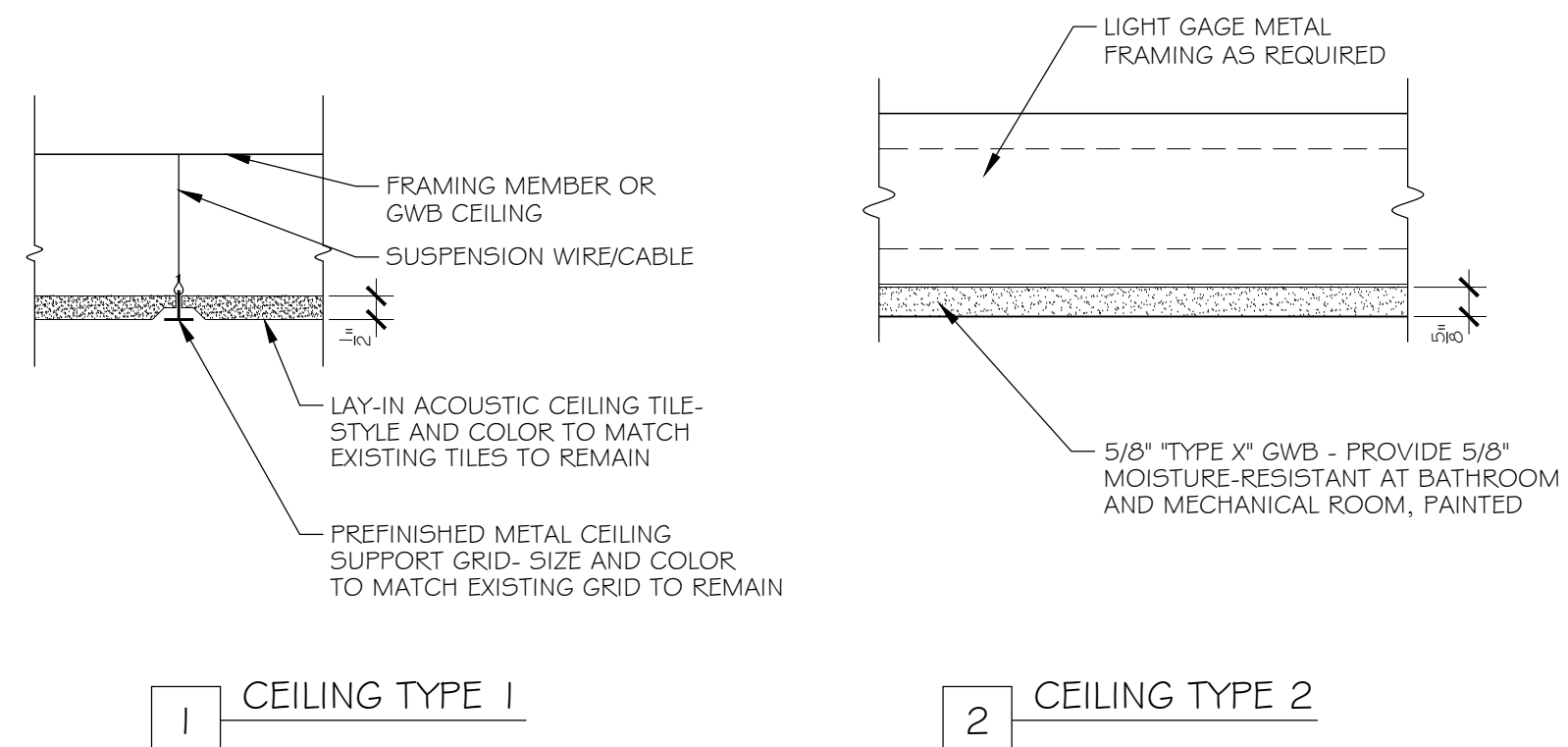
HALF LITE KIT



FULL LITE KIT

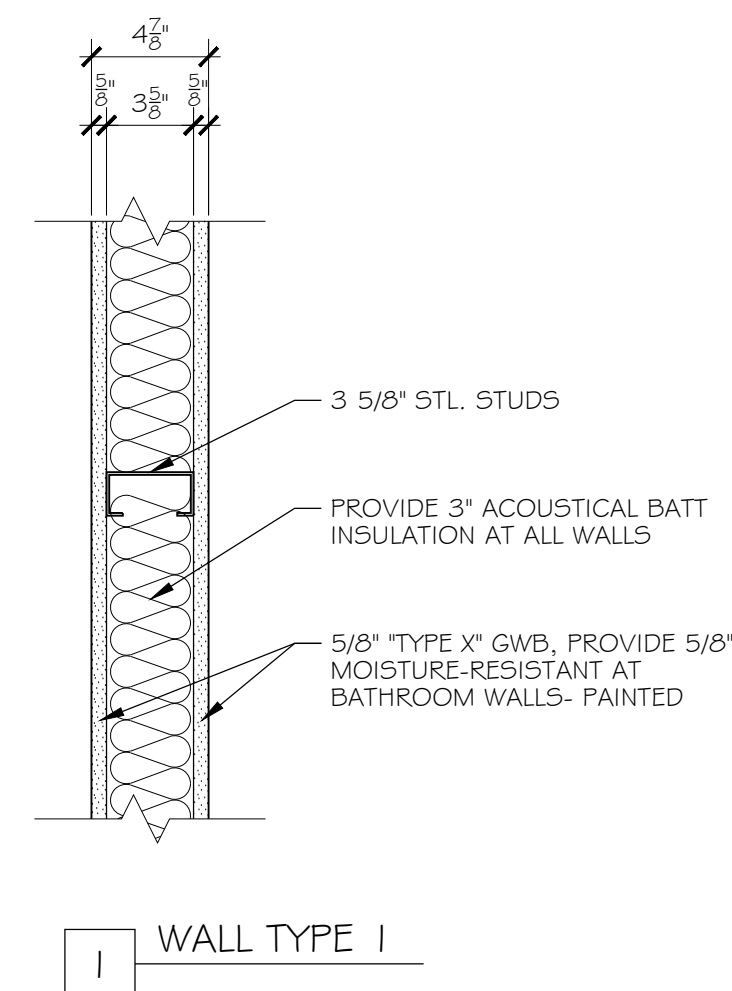
3 DOOR TYPES

A101-A103 SCALE: 1/2" = 1'-0"

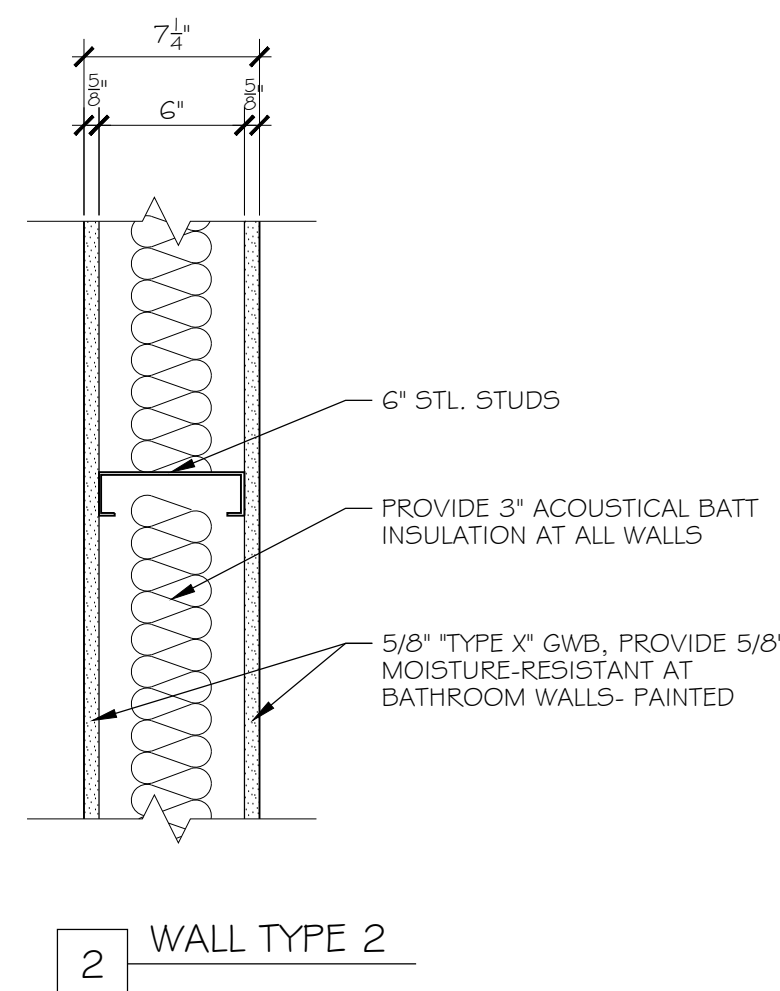


1 CEILING TYPE 1

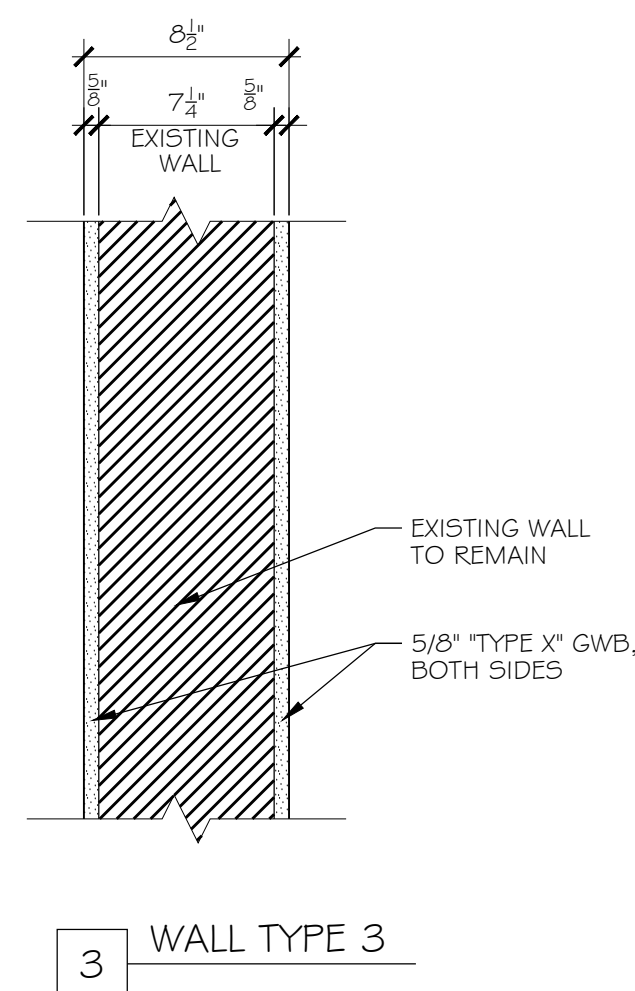
2 CEILING TYPE 2



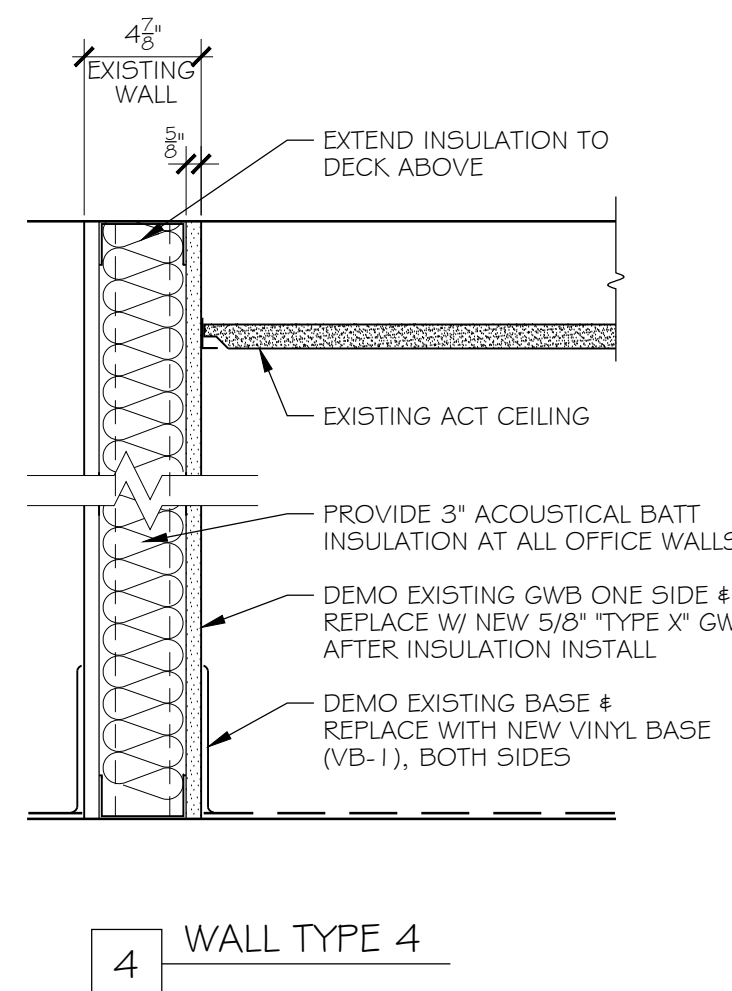
1 WALL TYPE 1



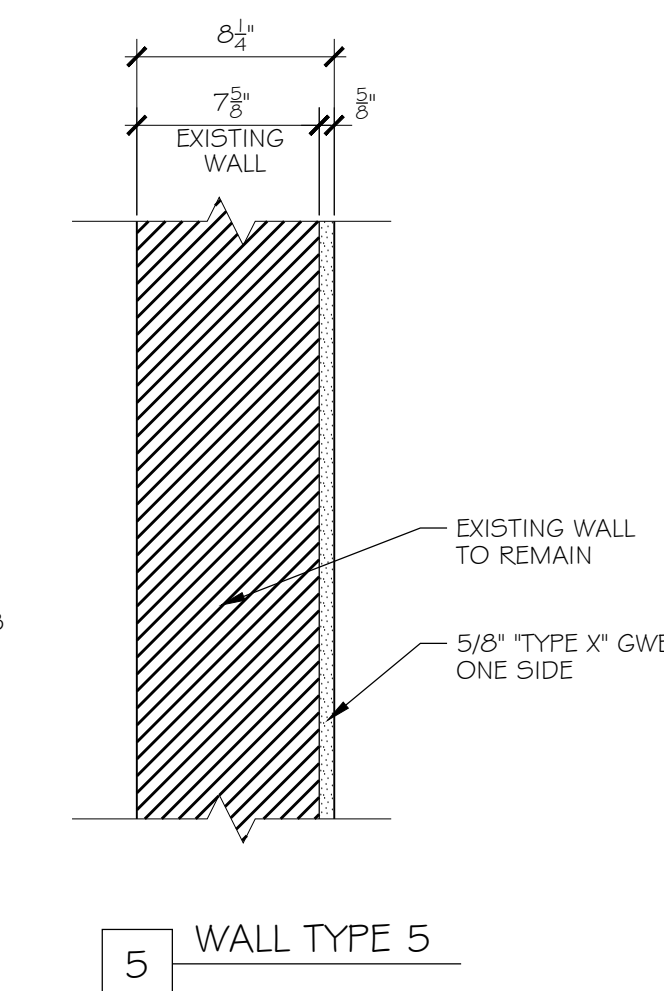
2 WALL TYPE 2



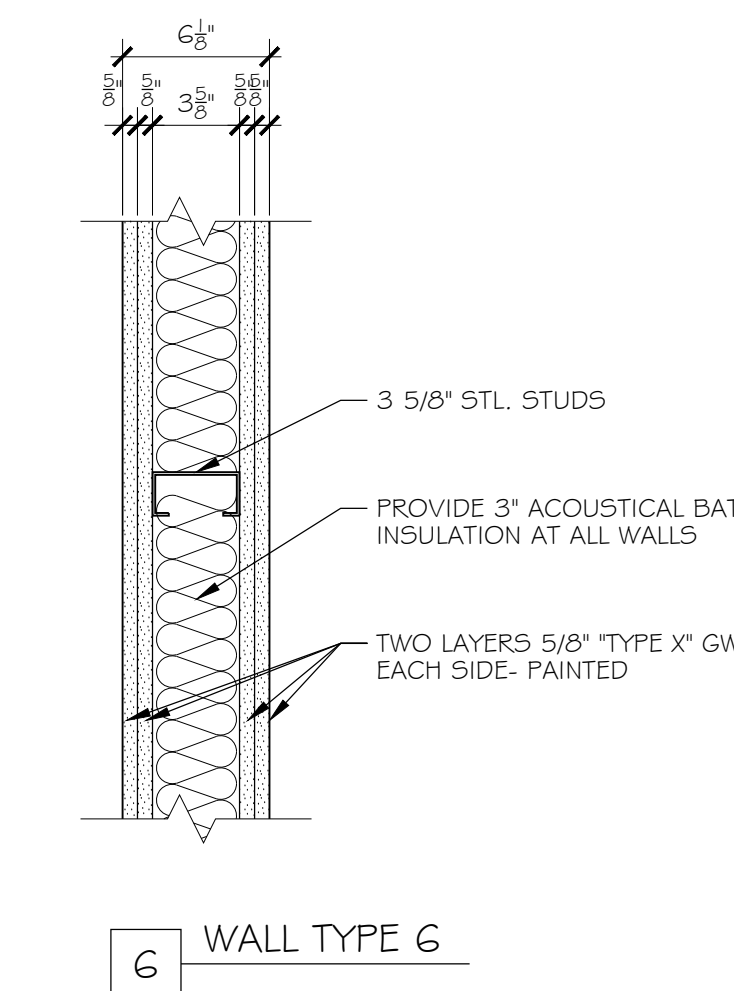
3 WALL TYPE 3



4 WALL TYPE 4



5 WALL TYPE 5



6 WALL TYPE 6

2 CEILING TYPES

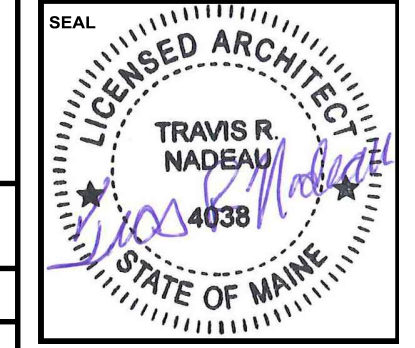
A401-A403 SCALE: 1/2" = 1'-0"

1 WALL TYPES

A101-A103 SCALE: 1/2" = 1'-0"

PLATZ ASSOCIATES
Architects - Engineers
Construction Managers
Two Great Falls Plaza, Auburn, Maine 04210
Tel 207-784-2941
Fax 207-784-3656

Proposed Renovation of:
NORWAY SAVINGS BANK
1200 Congress Avenue
Portland, Maine



DRAWING STATUS

| | |
|-------------------------------------|------------------|
| <input type="checkbox"/> | OFFICE REVIEW |
| <input type="checkbox"/> | CLIENT REVIEW |
| <input type="checkbox"/> | PERMIT REVIEW |
| <input type="checkbox"/> | BID SET |
| <input type="checkbox"/> | CONTRACT DRAWING |
| <input checked="" type="checkbox"/> | CONSTRUCTION |

No drawing shall be recognized as a construction document unless it bears a blue inked registration seal.

SHEET TITLE
WALL, CLG, DOOR & WINDOW TYPES

JOB NO.
201512

DRAWN BY
EBJ

CHECKED BY
TRN

SCALE
AS NOTED

ORIGINAL DATE
12-29-2016

REVISION DATE

SHEET
A001