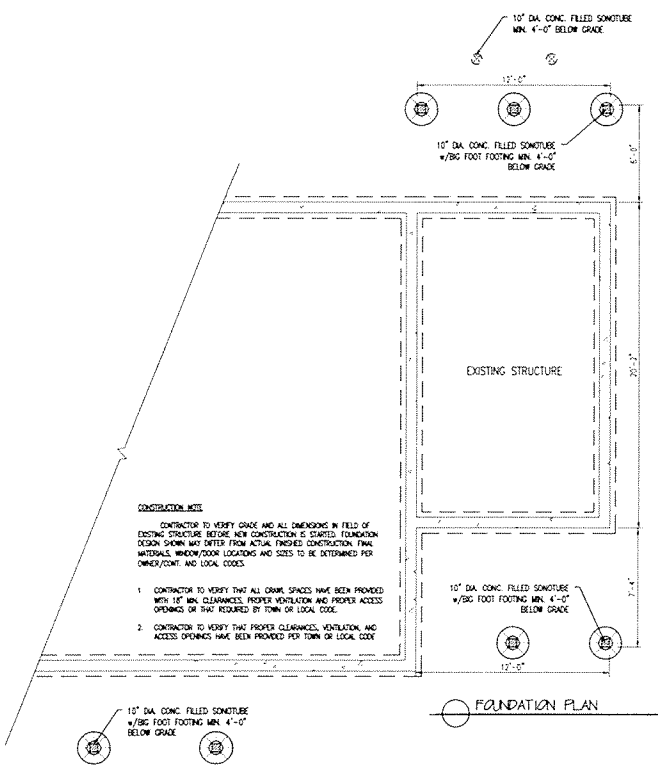
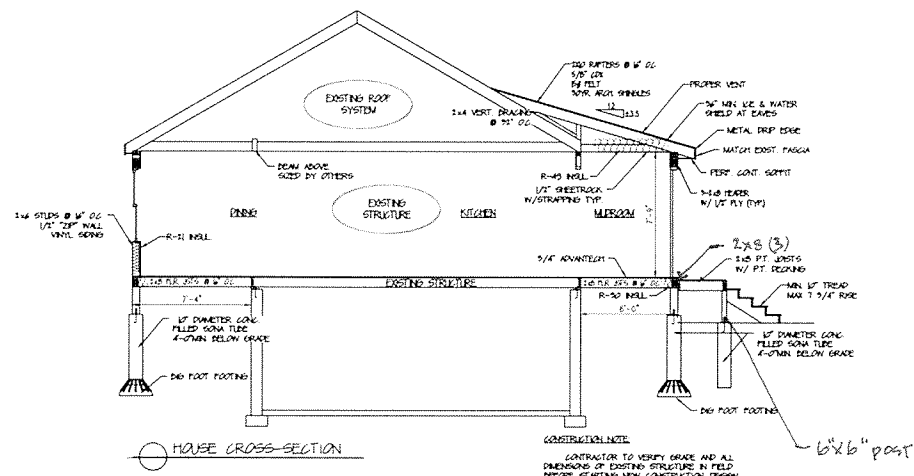
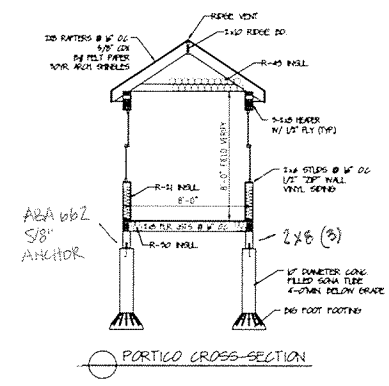


FOUNDATION & SECTIONS - BERRY PROJECT
PORTLAND, ME
Casa Pro Builders



CONSTRUCTION NOTE
 CONTRACTOR TO VERIFY GRADE AND ALL DIMENSIONS IN FIELD OF EXISTING STRUCTURE BEFORE NEW CONSTRUCTION IS STARTED. FOUNDATION DESIGN SHOWN MAY DIFFER FROM ACTUAL FINISHED CONSTRUCTION FINAL MATERIALS, WINDOW/DOOR LOCATIONS AND SIZES TO BE DETERMINED PER OWNER/COUNT. AND LOCAL CODES.

- CONTRACTOR TO VERIFY THAT ALL GROUND SPACES HAVE BEEN PROVIDED WITH 18" MIN. CLEARANCES, PROPER VENTILATION AND PROPER ACCESS OPENINGS OR THAT REQUIRED BY TOWN OR LOCAL CODE.
- CONTRACTOR TO VERIFY THAT PROPER CLEARANCES, VENTILATION AND ACCESS OPENINGS HAVE BEEN PROVIDED PER TOWN OR LOCAL CODE.



CONSTRUCTION NOTE
 CONTRACTOR TO VERIFY GRADE AND ALL DIMENSIONS OF EXISTING STRUCTURE IN FIELD BEFORE STARTING NEW CONSTRUCTION DESIGN SHOWN MAY DIFFER FROM ACTUAL FINISHED CONSTRUCTION FINAL MATERIALS, WINDOW/DOOR LOCATIONS AND SIZES TO BE DETERMINED PER OWNER/COUNT. AND LOCAL CODES.

CUSTOMERS SHOULD APPRECIATE THAT THIS INFORMATION IS NOT THE PRODUCT OF AN ARCHITECT. NEITHER ADEQUATE NOR ANY OF ITS EMPLOYEES ARE REGISTERED ARCHITECTS AND CUSTOMERS MAY WANT TO CONSULT WITH A REGISTERED ARCHITECT OR STRUCTURE ENGINEER REGARD TO ANY BUILDING OR STRUCTURE INFORMATION. CUSTOMERS SHOULD ALSO APPRECIATE THAT, BY PROVIDING CUSTOMERS WITH THIS INFORMATION, ADEQUATE INFORMATION DOES NOT GUARANTEE THE SOUNDNESS OR SUITABILITY OF THE INFORMATION FOR ANY PURPOSE OF THE CUSTOMER.

Revisions:
Date: 6/19/17
Scale: 1/4"=1'-0"
Drawn By: TMS
Project: A041817
Sheet Number:
2-of-2