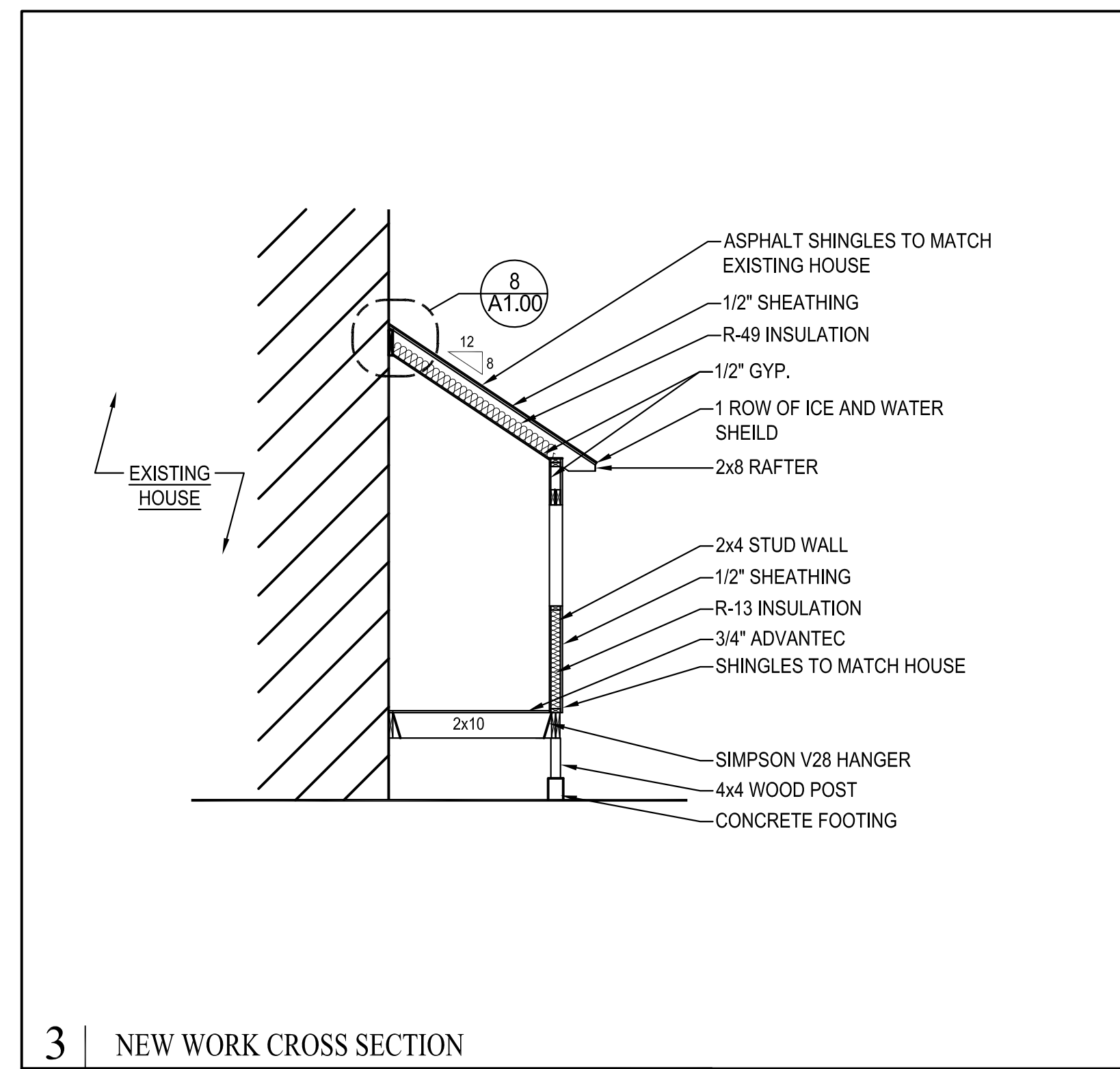
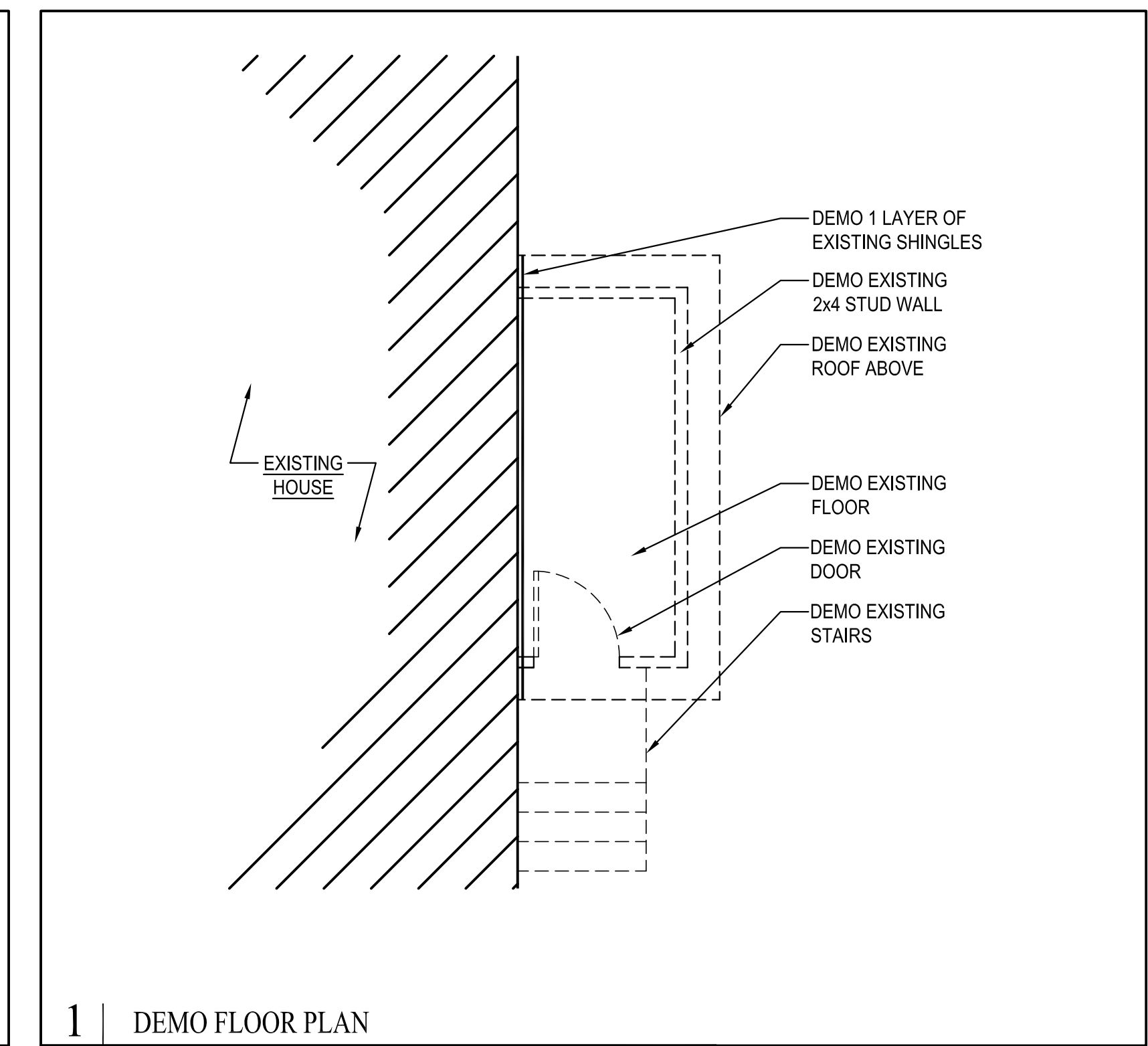


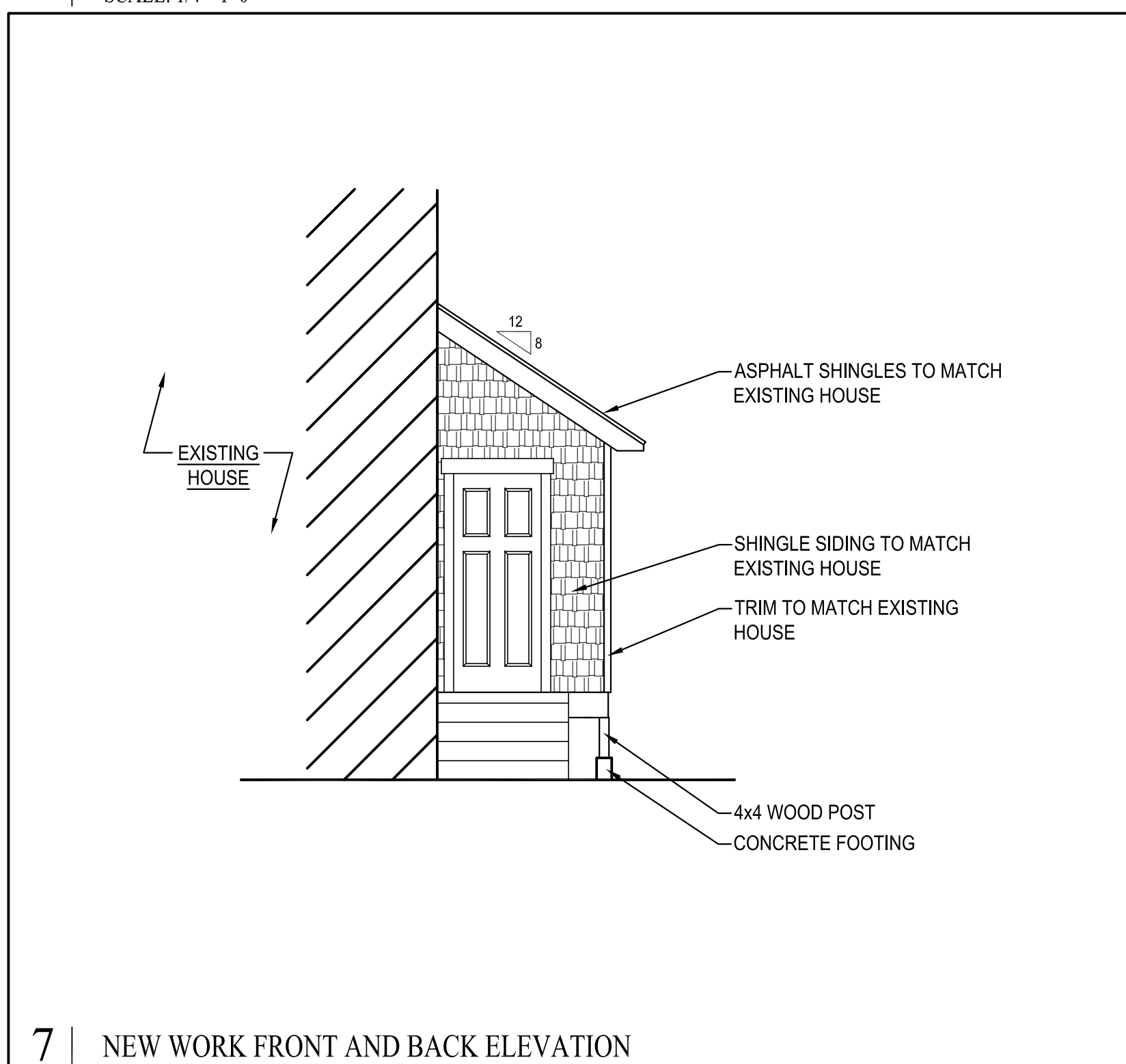
6 NEW WORK SIDE ELEVATION
SCALE: 1/4"=1'-0"



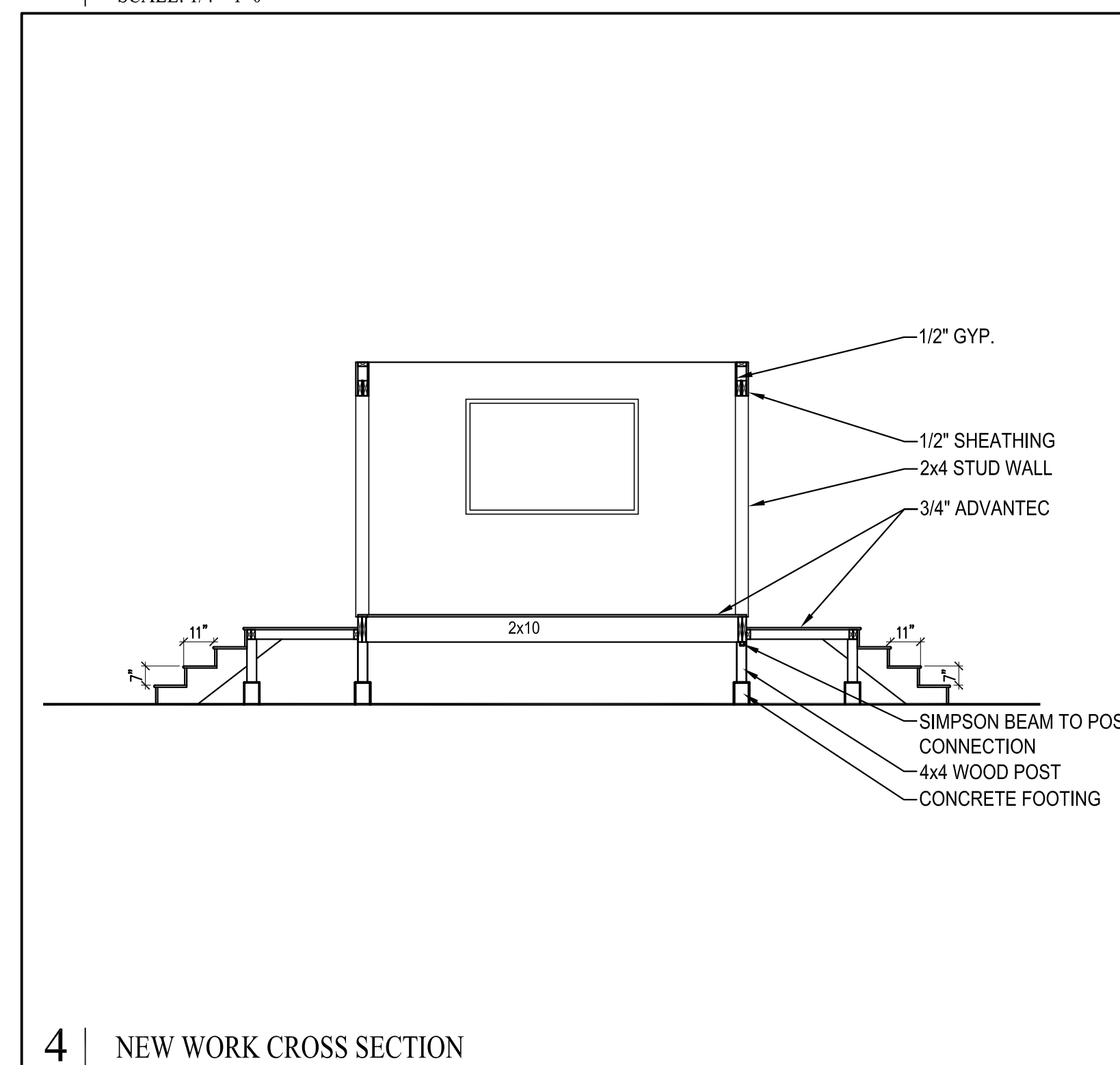
3 NEW WORK CROSS SECTION
SCALE: 1/4"=1'-0"



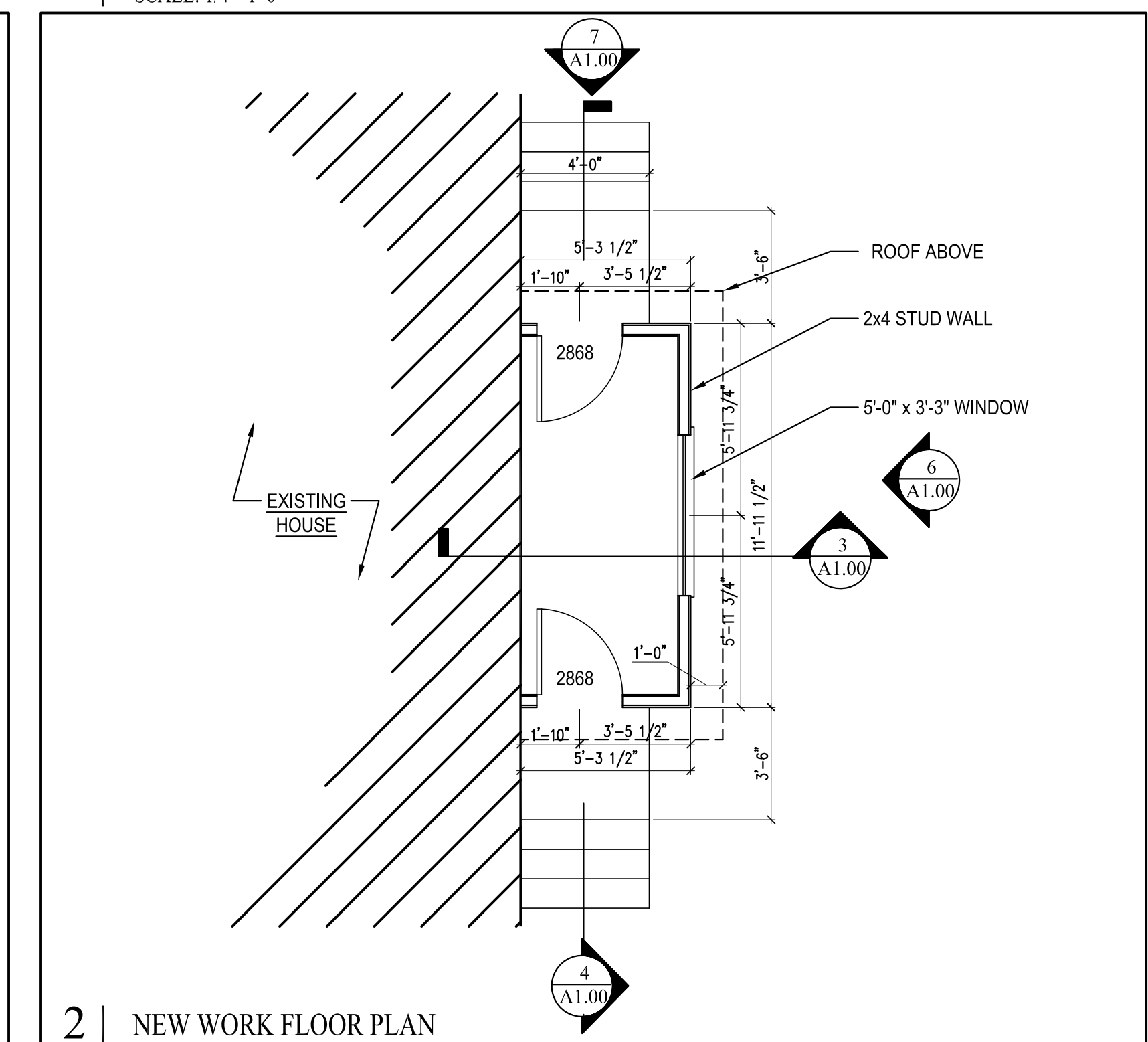
1 DEMO FLOOR PLAN
SCALE: 1/4"=1'-0"



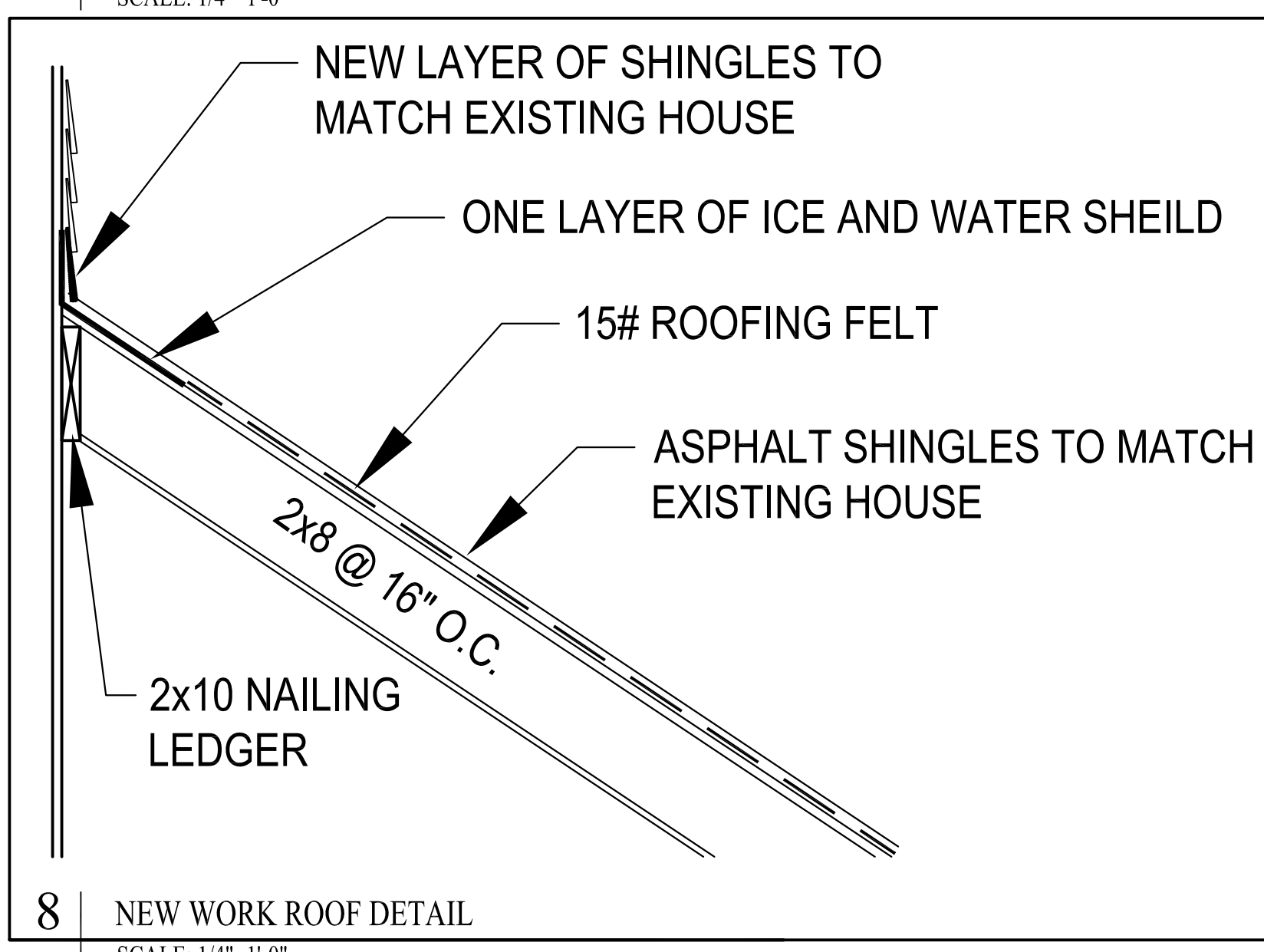
7 NEW WORK FRONT AND BACK ELEVATION
SCALE: 1/4"=1'-0"



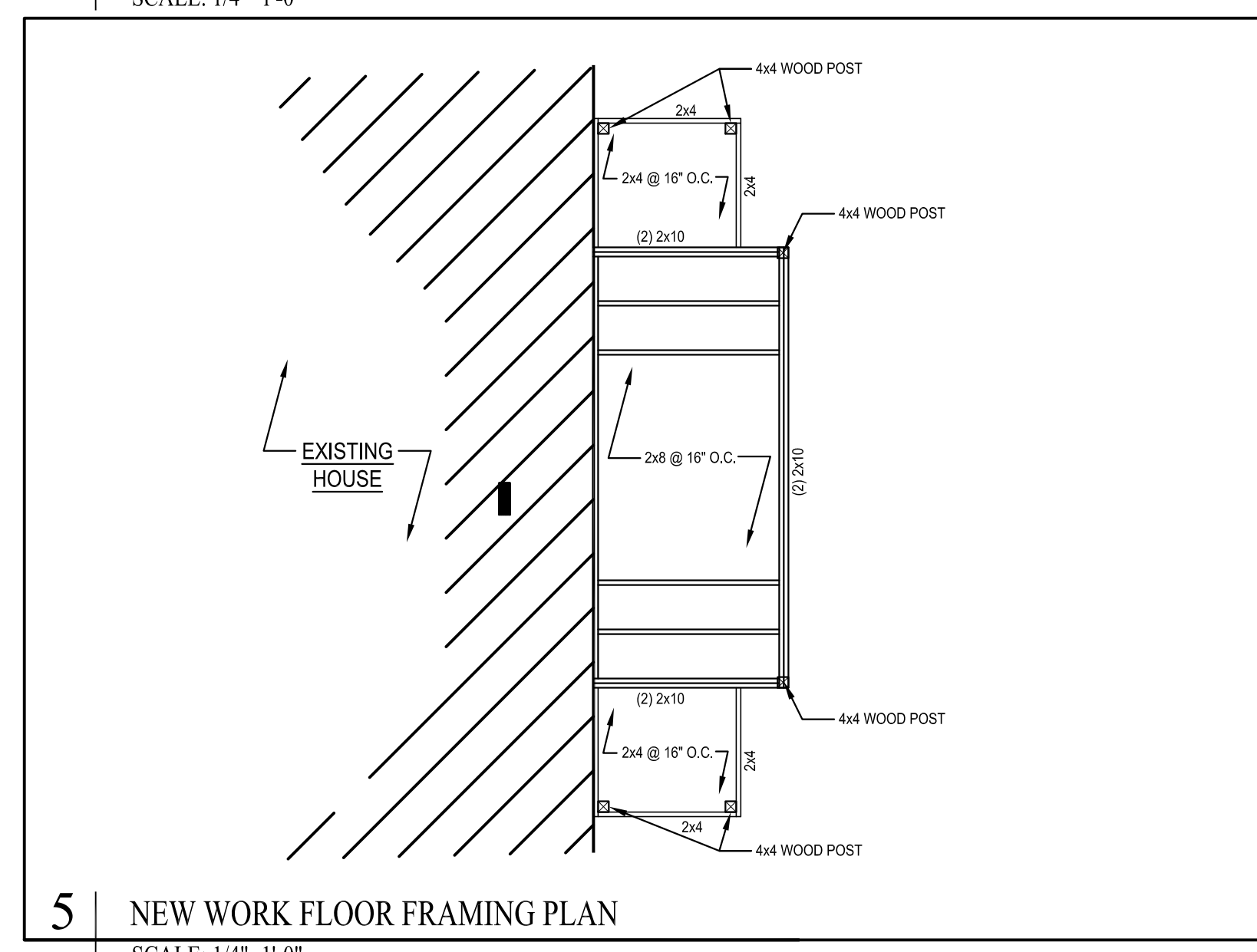
4 NEW WORK CROSS SECTION
SCALE: 1/4"=1'-0"



2 NEW WORK FLOOR PLAN
SCALE: 1/4"=1'-0"



8 NEW WORK ROOF DETAIL
SCALE: 1/4"=1'-0"



5 NEW WORK FLOOR FRAMING PLAN
SCALE: 1/4"=1'-0"

Prepared For:

Project:

Revisions:

Date: JUNE 26 2015
Scale: AS NOTED

DEMO AND NEW WORK
DRAWINGS

SIDE PORCH
1305 CONGRESS ST
PORTLAND, MAINE

A1.00