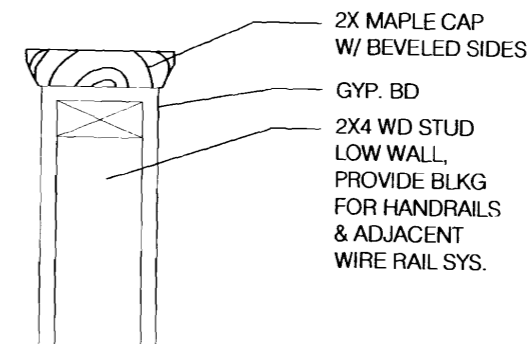
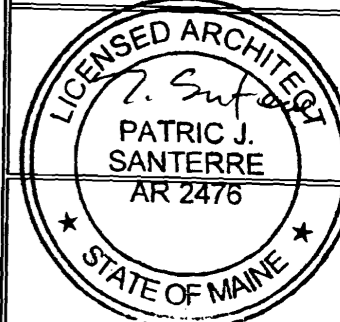
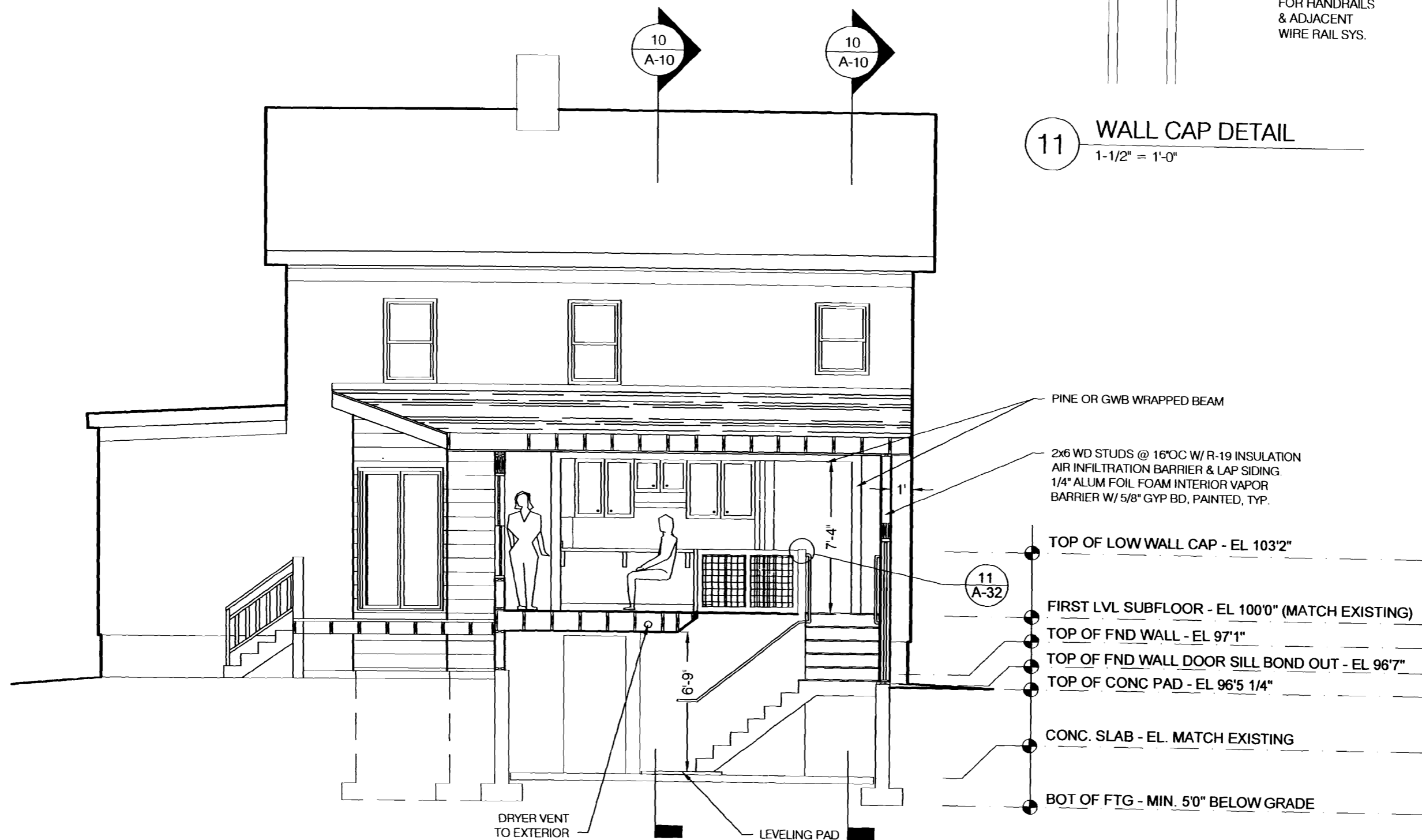


ARCADIA
 designworks LLC
 142 high street, suite 513
 portland, maine 04101
 telefax: 207.347.5252
 cp.: 207.749.9306
 ARCADIA@awcn.net

BRADLEY
 STRUCTURAL
 ENGINEERING
BSE
 Bradley Structural Engineering
 Scarborough, Maine 04074
 tel. (207) 510-7749



11 WALL CAP DETAIL
 1-1/2" = 1'-0"



10 BUILDING SECTION
 3/16" = 1'-0"

FOR CONSTRUCTION
 03.15.07

PHASE:
 BUILDER'S SET

PROJECT:
 THOMPSON - BROWN
 RESIDENCE
 PORTLAND
 MAINE

TITLE:
 BUILDING SECTION

SHEET:
A-32

JOB: 2006-19