

**183 WHITNEY AVE EXTERIOR STAIR**  
183 WHITNEY AVE PORTLAND MAINE

**REPROPOSED STAIR**

DR	CHKD	DATE
BY	BY	2-7-14
CD	ED	

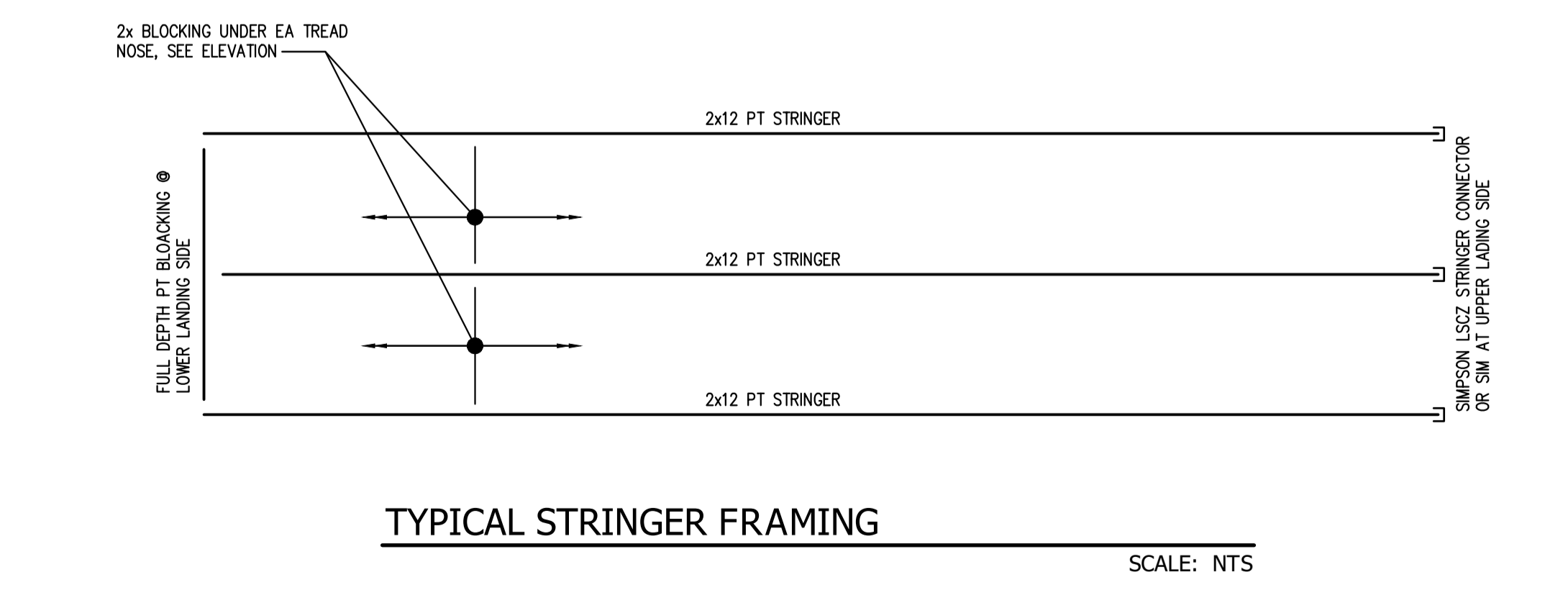
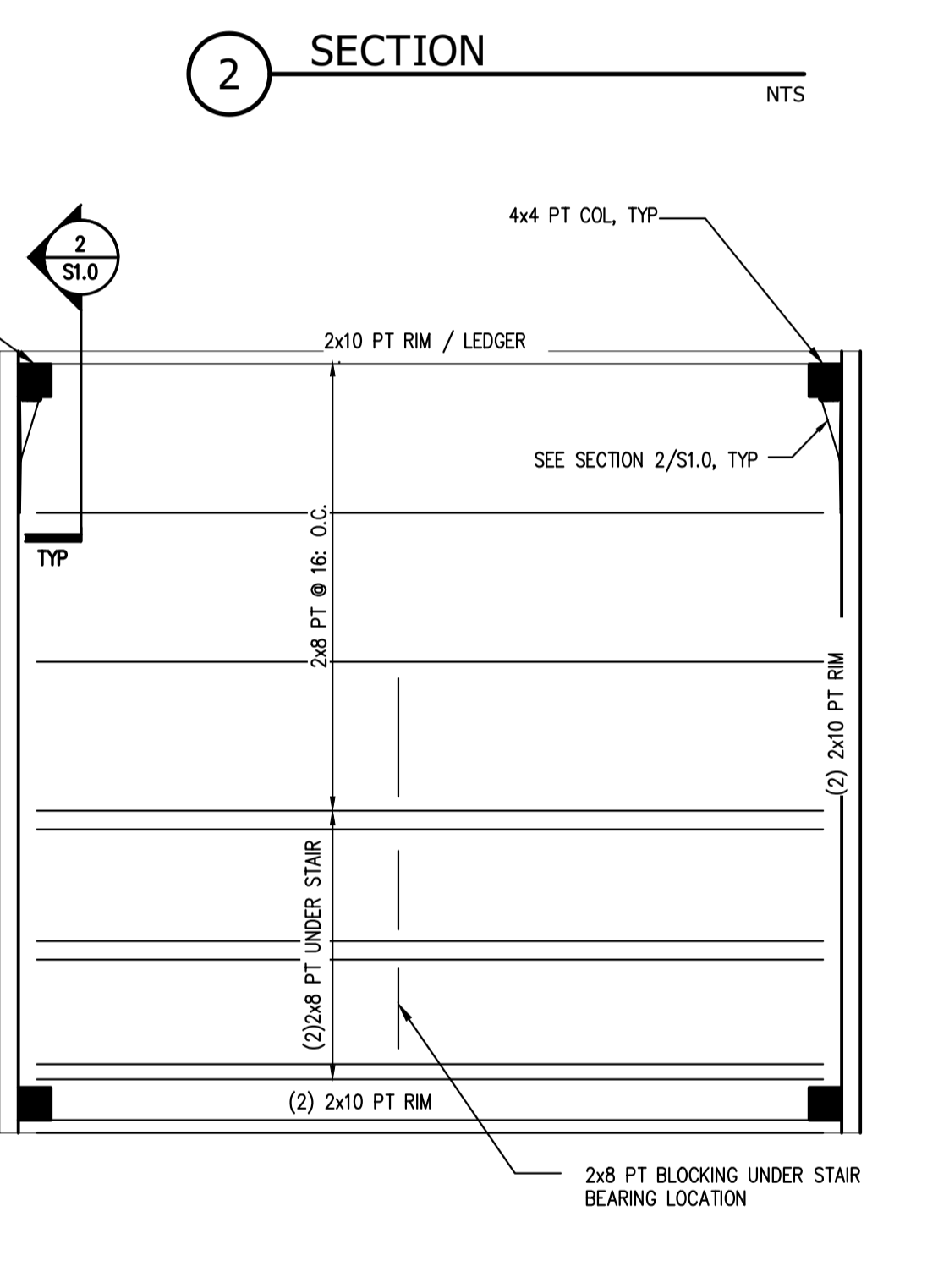
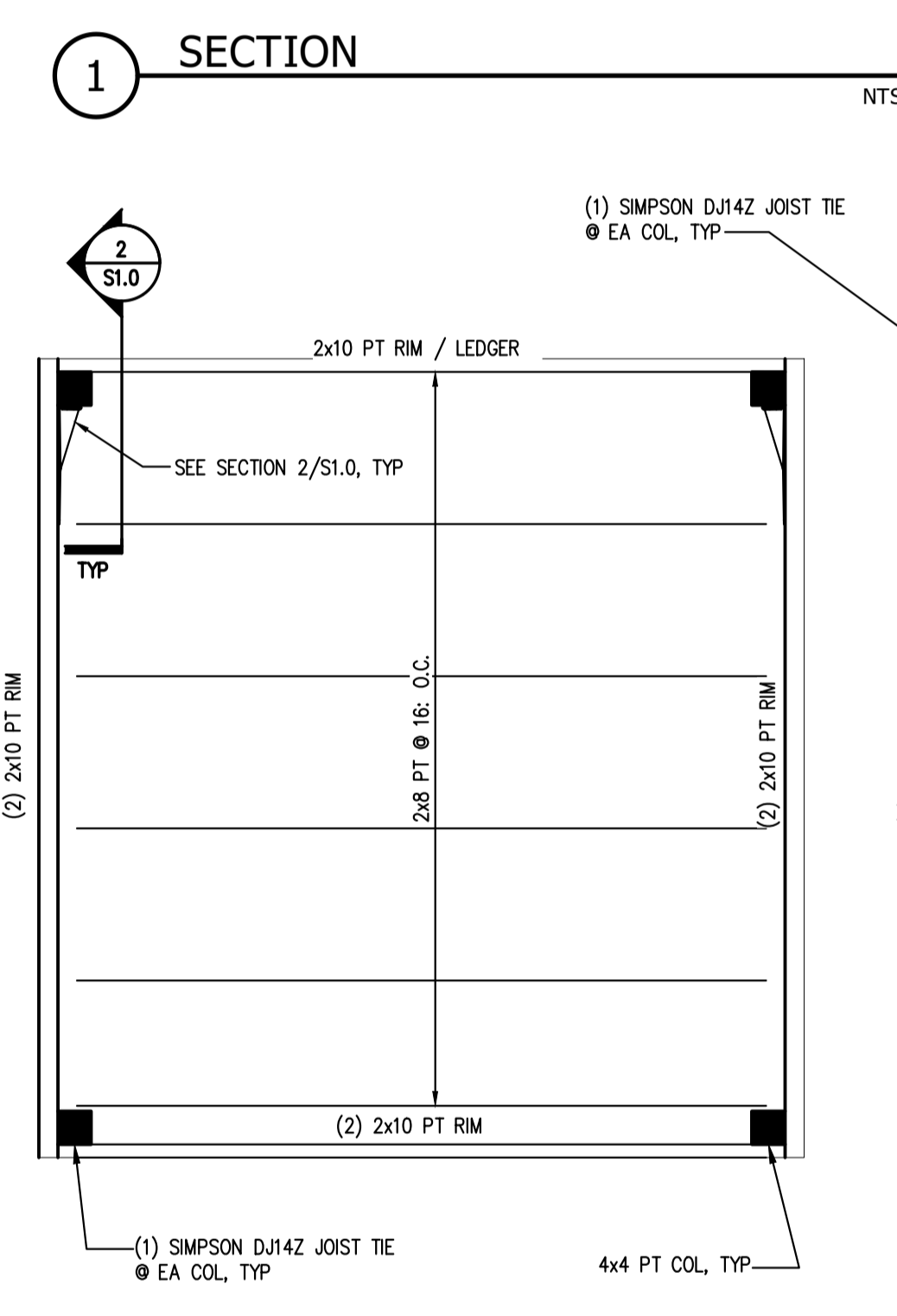
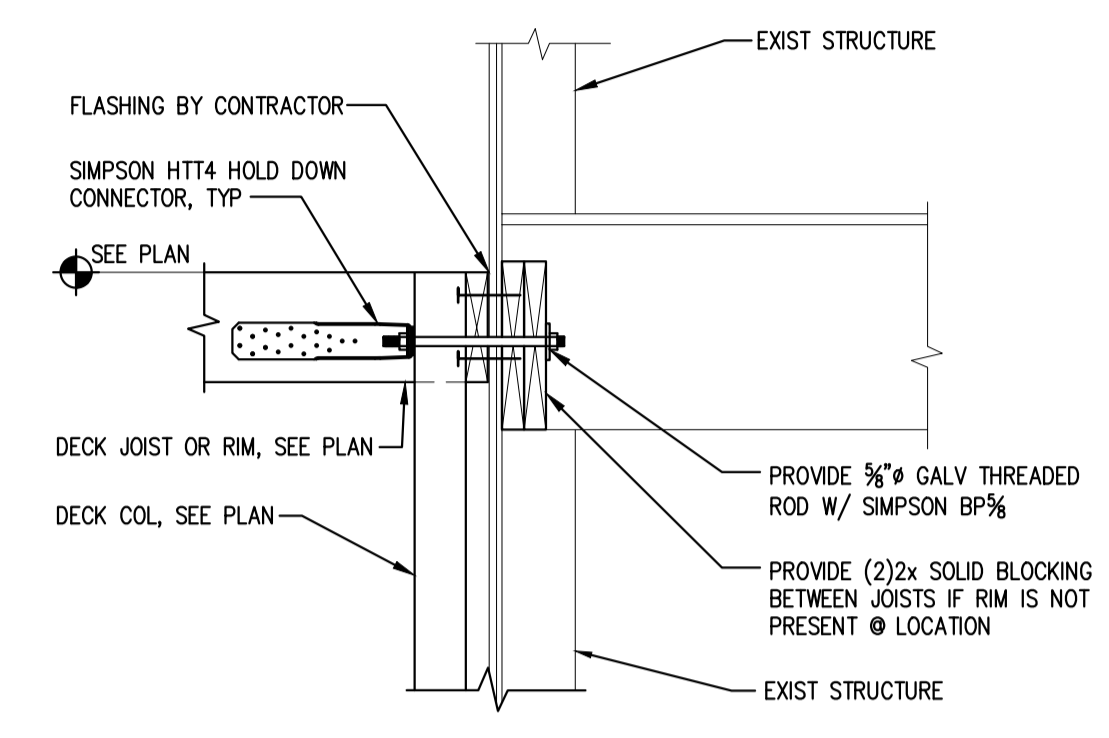
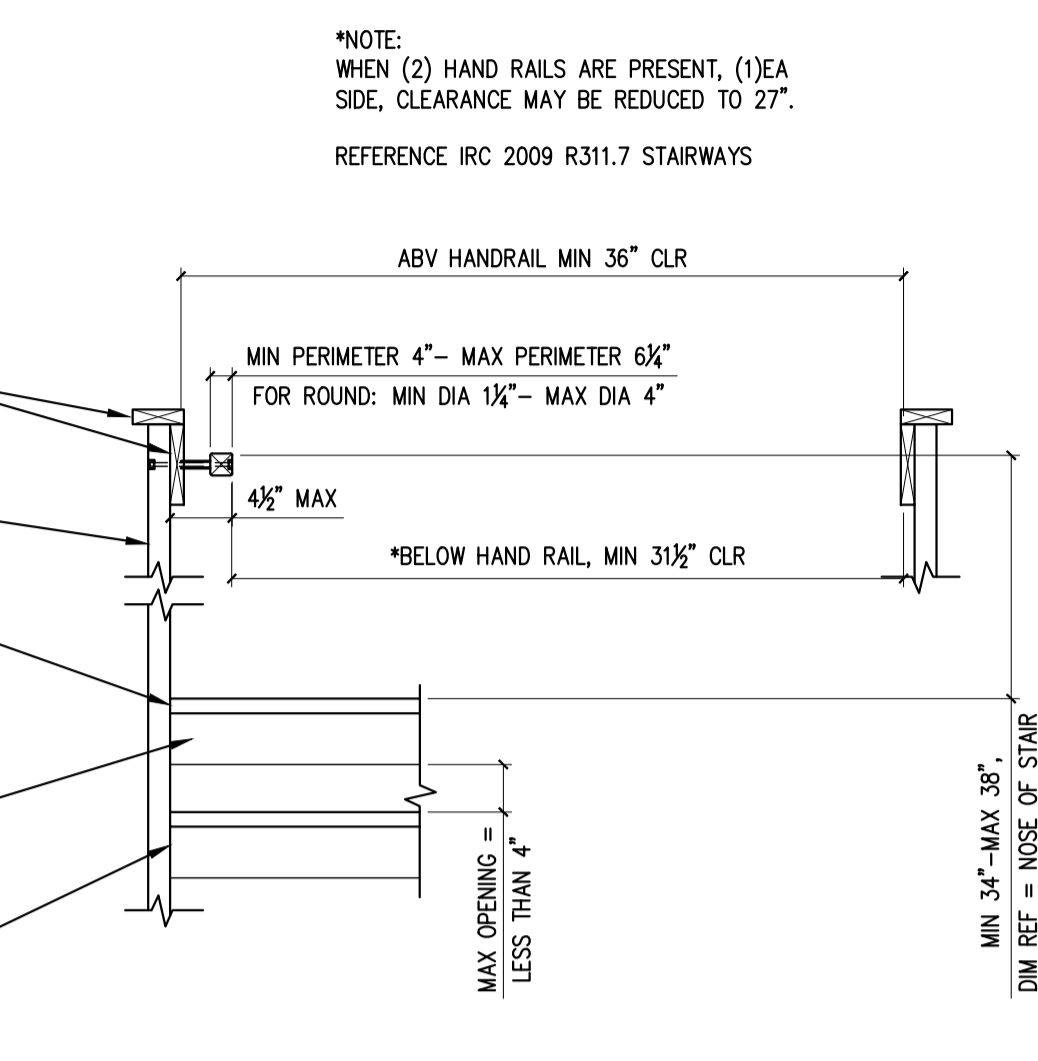
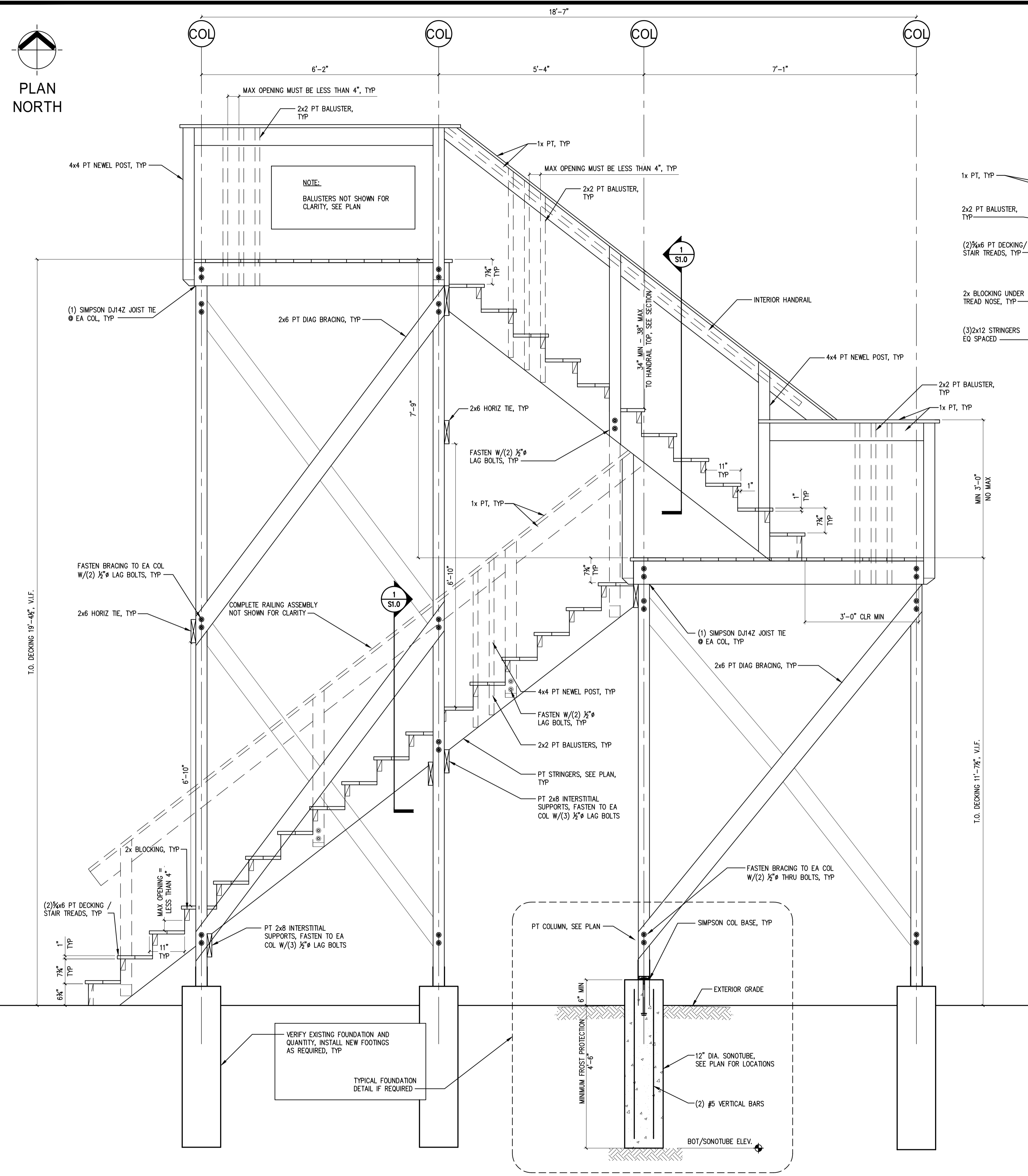
ISSUED	DESCRIPTION	ISSUED FOR PERMIT
No.	0	

SHEET TITLE:

**EXTERIOR STAIR ELEVATION & FRAMING PLAN**

DESIGNED:	CD
DRAWN:	CD
DATE:	12-15-17
PROJECT NUMBER:	17-158

**S1.0**



PRINTED: Feb 07, 2018

EXTERIOR STAIR ELEVATION & FRAMING PLAN