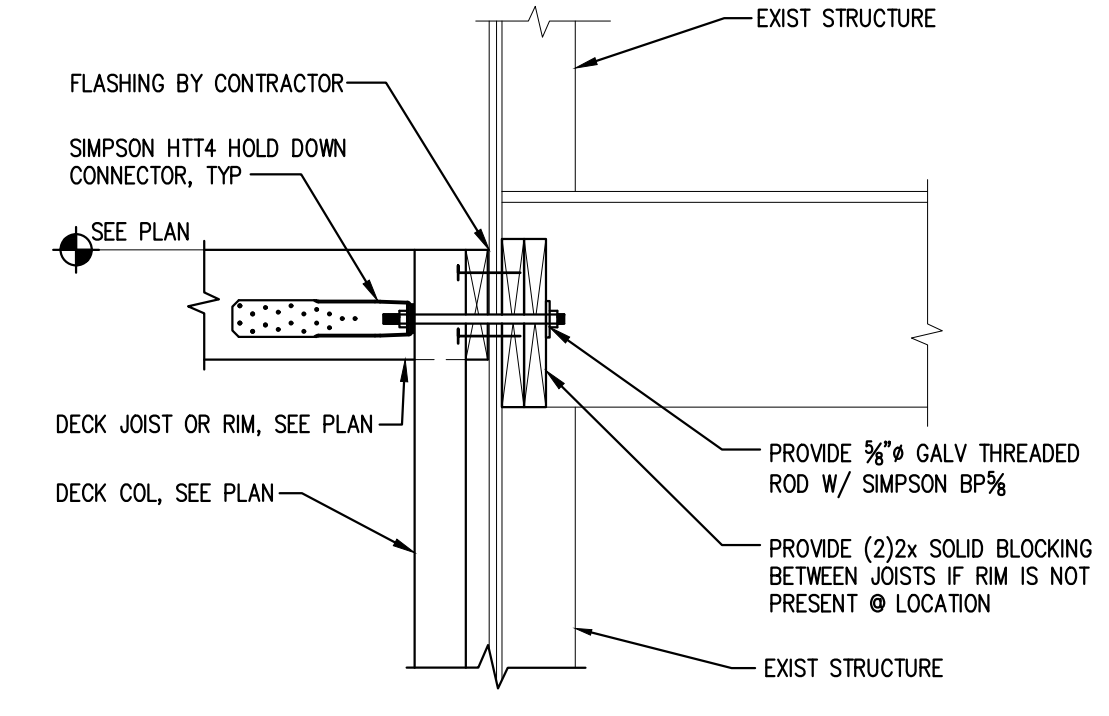
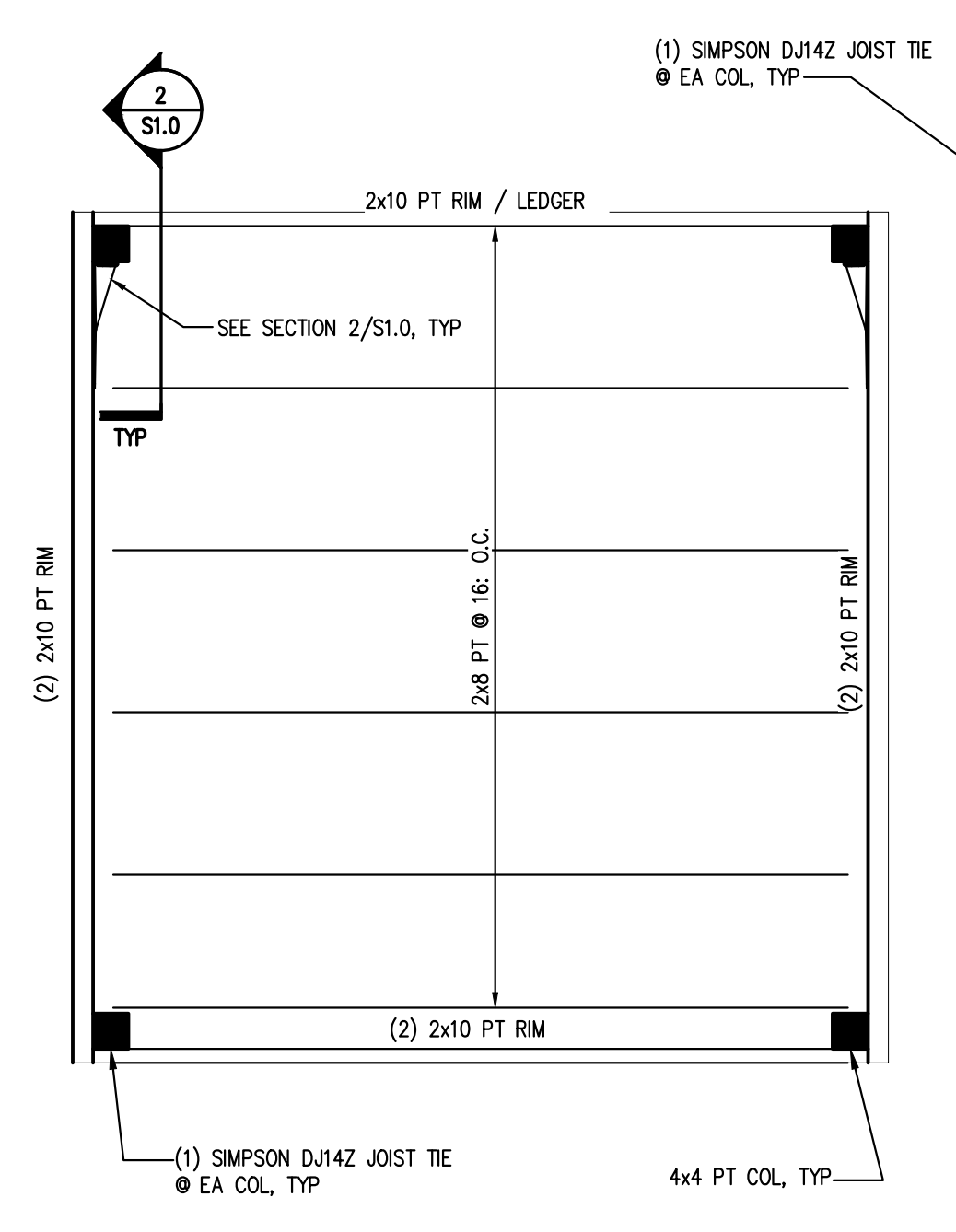


- NOTES:
- 1) DESIGN CRITERIA: LIVE LOADS = 100 PSF
 - 2) SECURE STAIR STRUCTURE BACK TO EXISTING HOUSE STRUCTURE THRU BOLT EA PLATFORM IN 2 LOCATIONS MIN.
 - 3) ALL WOOD USED IN CONSTRUCTING STAIR SHALL BE PRESSURE TREATED
 - 4) ALL HARDWARE TO BE GALVANIZED OR EXTERIOR RATED

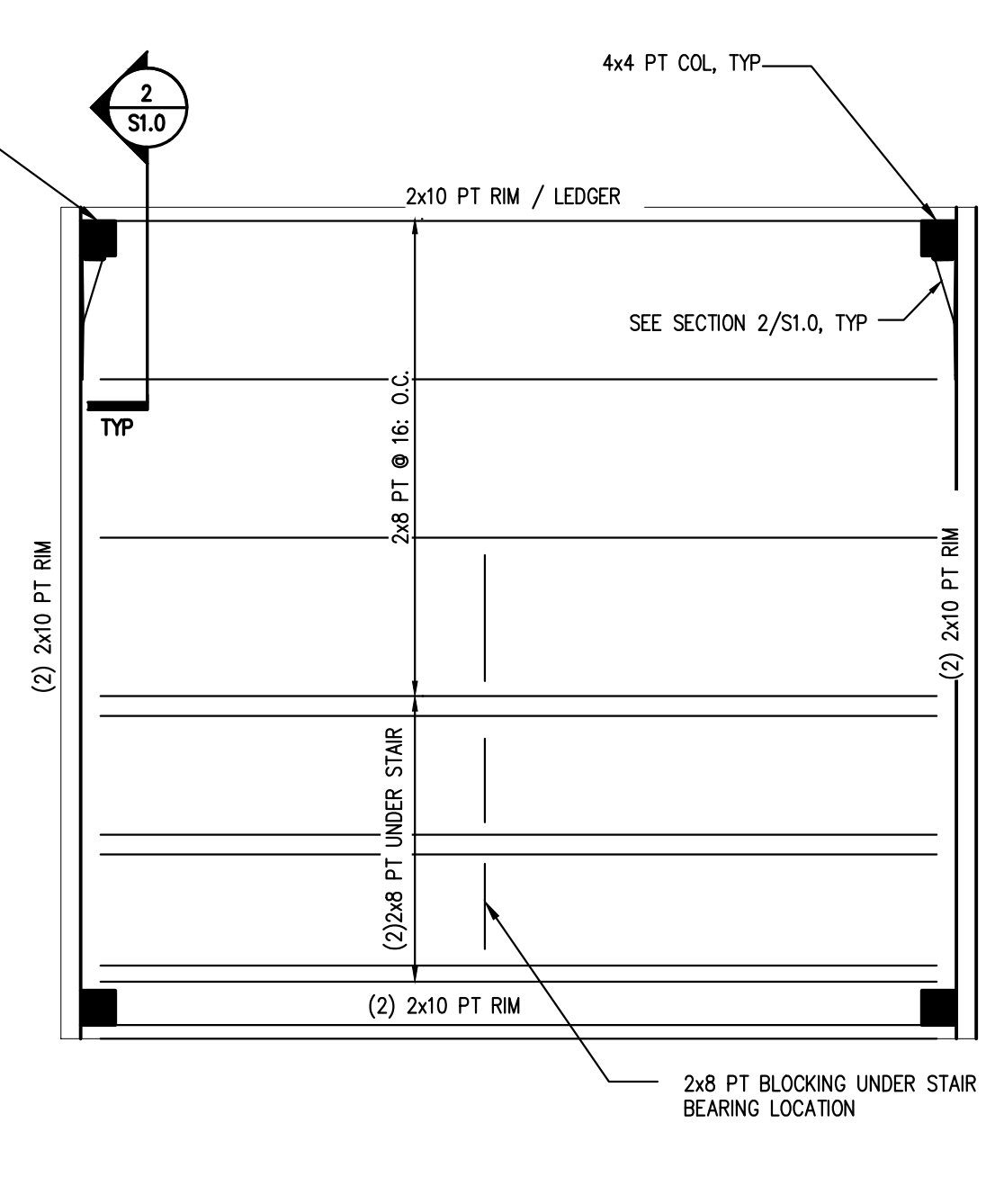


1 SECTION NTS

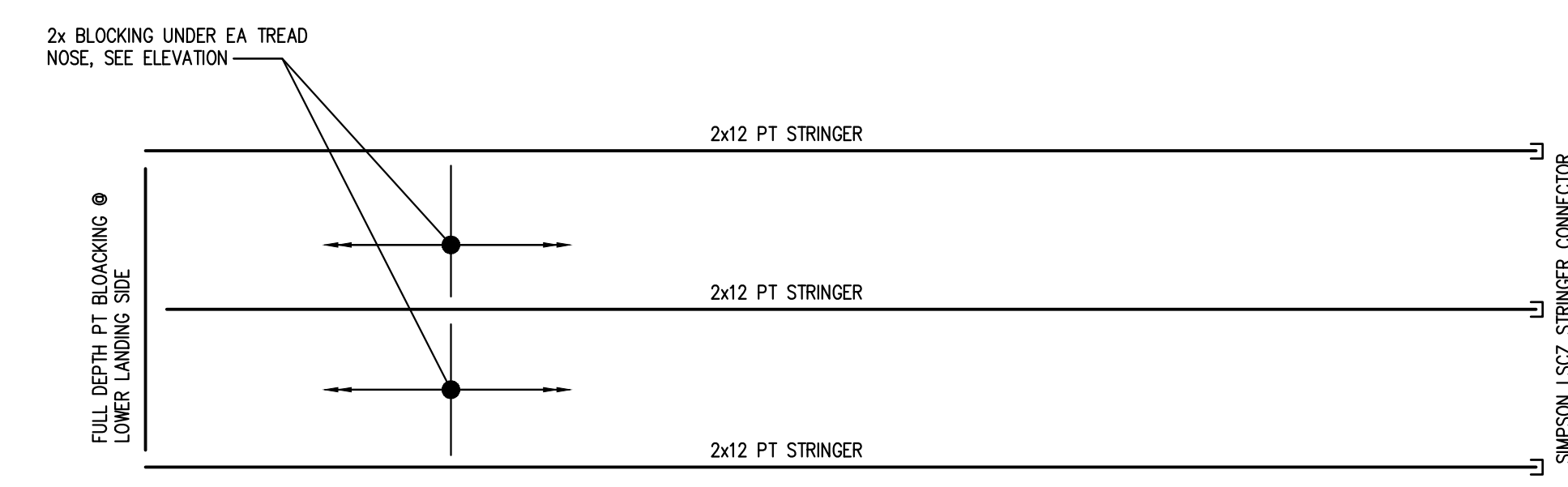
2 SECTION NTS



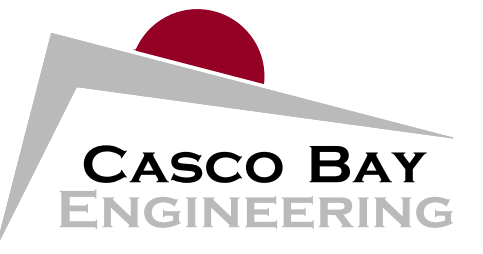
UPPER DECK FRAMING SCALE: NTS



LOWER DECK FRAMING SCALE: NTS



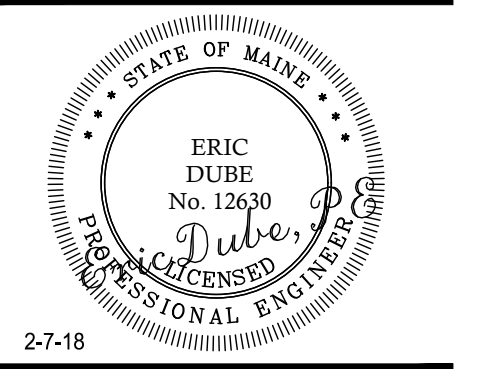
TYPICAL STRINGER FRAMING SCALE: NTS



424 Fore Street
Portland, ME 04101
Phone 207.842.2800
Fax 207.842.2828
www.cascobayengineering.com

CLIENT: ARTHUR CAVANAGH

15 LEDGE MEADOW LANE
PHIPPSBURG, ME 04562



2-7-18

183 WHITNEY AVE EXTERIOR STAIR
183 WHITNEY AVE PORTLAND MAINE
REPROPOSED STAIR

DR	CHKD	DATE
BY	BY	2-7-14
CD	ED	

ISSUED	DESCRIPTION
No.	0
	ISSUED FOR PERMIT

SHEET TITLE:
EXTERIOR STAIR ELEVATION & FRAMING PLAN

DESIGNED: CD
DRAWN: CD
DATE: 12-15-17
PROJECT NUMBER: 17-158

S1.0

PRINTED: Feb 07, 2018

EXTERIOR STAIR ELEVATION & FRAMING PLAN