

Model	CSA Input (MBH)	% DOE Seasonal Efficiency (AFUE)		DOE Heating Capacity (MBH)**	Net AHRI Ratings***			Chimney Size	Approx. Shipping Weight (Lbs)
		Intermittent Ignition w/Damper Natural Gas (PIDN)			Steam (MBH)	Water (MBH)	Steam (Sq. Ft.)		
		Water	Steam						
EG-30-S	75	84.3	83	62	47	55	196	5" I.D. x 20'	380
EG-35-S	100	83.6	82.9	83	62	73	258	5" I.D. x 20'	380
EG-40-S	125	84	82.9	104	78	91	325	6" I.D. x 20'	465
EG-45-S	150	83.5	82.9	125	94	110	392	6" I.D. x 20'	465
EG-50-S	175	83.8	82.8	145	109	128	454	7" I.D. x 20'	545
EG-55-S	200	83.8	82.8	167	125	146	521	7" I.D. x 20'	545
EG-65-S	250	84	83	209	157	183	654	8" I.D. x 20'	630
EG-75-S	299	82.7	82.4	247	185	217	750	8" I.D. x 20'	695

Notes:

- * Add to boiler number "W" for water, "S" for steam. Add "PID" to designator for boiler with intermittent electronic ignition system. Add "T" to designator for boiler with tankless heater openings. Add "P" to prefix for factory-assembled fire-tested package boiler (steam only sizes 30 thru 55).
- ** Based on standard test procedures prescribed by the United States Department of Energy.
- *** Net AHRI ratings are based on net installed radiation of sufficient quantity for the requirements of the building and nothing need be added for normal piping and pick-up. Water ratings are based on a piping and pick-up allowance of 115; steam ratings on an allowance of 1333. An additional allowance should be made for unusual piping and pick-up loads.
- NOTE: EG boiler is CSA design certified for installation on non-combustible flooring only. Tested for 50 PSI working pressure. Not available for multivolt systems.

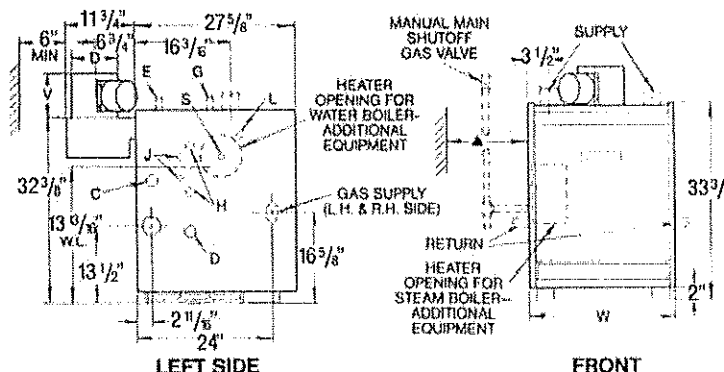
Dimensions

Model	Number & Size		Dimensions-Inches			Minimum Recommended Pipe Sizes			
	Supply (NPT)	Return (NPT)	D	V	W	Gas Connection Size* Natural & Propane	Forced Water Supply & Return**	Steam Riser & Header***	Steam Equalizer
EG-30	2-3"	2-2 1/2"	5"	6"	17"	1/2"	1"	2"	1 1/2"
EG-35	2-3"	2-2 1/2"	5"	6"	17"	1/2"	1"	2"	1 1/2"
EG-40	2-3"	2-2 1/2"	6"	6 1/2"	21 1/4"	1/2"	1 1/4"	2 1/2"	1 1/2"
EG-45	2-3"	2-2 1/2"	6"	6 1/2"	21 1/4"	1/2"	1 1/4"	2 1/2"	1 1/2"
EG-50	2-3"	2-2 1/2"	7"	9"	25 1/2"	1/2"	1 1/4"	2 1/2"	1 1/2"
EG-55	2-3"	2-2 1/2"	7"	9"	25 1/2"	1/2"	1 1/2"	3"	1 1/2"
EG-65	2-3"	2-2 1/2"	8"	9 1/2"	29 3/4"	3/4"	1 1/2"	3"	1 1/2"
EG-75	2-3"	2-2 1/2"	8"	9 1/2"	34"	3/4"	2"	3"	1 1/2"

* Sizes shown are gas connection sizes. Gas piping from meter to boiler to be sized according to local utility requirements.
 ** All supply and return sizes are based on a 20°F temperature rise through the boiler.
 *** 24" minimum from water line to header.

Location	Size	Steam	Water
C	3/4"	Electrode-Type-Low-Water Cutoff	Plugged
D	3/4"	Drain	Drain
E	3/4"	Safety Valve	Safety Relief Valve
G	3/4"	Plugged	Piping to Compression Tank or Auto. Air Vent
H	1/4"	Gauge Glass and/or Low-Water Cutoff	Plugged
J*	3/8"	Try Cock Tappings	-
L	1/4"	Syphon, Pressure Gauge, High-Limit Control	Combination Pressure-Temperature Gauge
S Steam	1 1/2"	Skim Tapping	-
S Water	3/4"	-	Limit Control

* Available only on special request.



Standard and Optional Equipment

Standard Equipment:

- Factory-Assembled Section Block
- Insulated Extended Jacket
- Horizontal to Vertical Draft Hood
- Automatic Vent Damper (additional for EG-75)
- Combination Gas Valve for 24 Volt
- Non-Linting Pilot Burner
- Stainless Steel Burners
- Electrical Junction Box
- Spill Switch
- Rollout Thermal Fuse Element
- Water Boilers Only:**
- Built-in-Air Separator
- 30 PSI ASME Relief Valve (boiler sections tested for 50 PSI working pressure)
- Combination Pressure-Temperature Gauge
- High-Limit Control
- Integrated Boiler Control Module with Intermittent Electronic Ignition System & Indicator/Diagnostic Lights
- 40 VA Transformer
- Plug-in Connector and Wiring

Steam Boilers Only:

- 15 PSI ASME Relief Valve (boiler sections tested for 15 PSI working pressure)
- High-Limit Pressure Control
- Low Water Cutoff-Electrode Type
- 40VA Transformer
- Steam Pressure Gauge
- Syphon
- Gauge Cocks and Glass
- Intermittent Electronic Ignition System with Weil-McLain UCM Universal Ignition Control Module

Optional Equipment:

- Package Steam Boiler-Factory-Assembled and Fire-Tested (P-EG-30 thru 55 only)
- Left End Section with Openings for Tankless Heaters
- Tankless Heaters, Heater Cover Plates, and Controls
- Automatic Vent Damper for EG-75 with Electronic Ignition

