

REVISIONS  
1-3-13

**JOINER DESIGN CO.**  
KATHRYN M. JOINER, AIBD  
CERTIFIED PROFESSIONAL BUILDING DESIGNER  
475 PLEASANT STREET SUITE 27  
LEWISTON, ME 04240 207-783-7021  
WWW.JOINERDESIGN.COM

CONTRACTOR:  
**RAINBOW CONSTRUCTION**  
CAPE ELIZABETH, MAINE  
(207) 799-3051

PROJECT:  
**CREWE GARAGE**  
130 WHITNEY AVE.  
PORTLAND, MAINE

TITLE:  
**ELEVATIONS**

DATE: 1-4-13

DR BY: KMJ

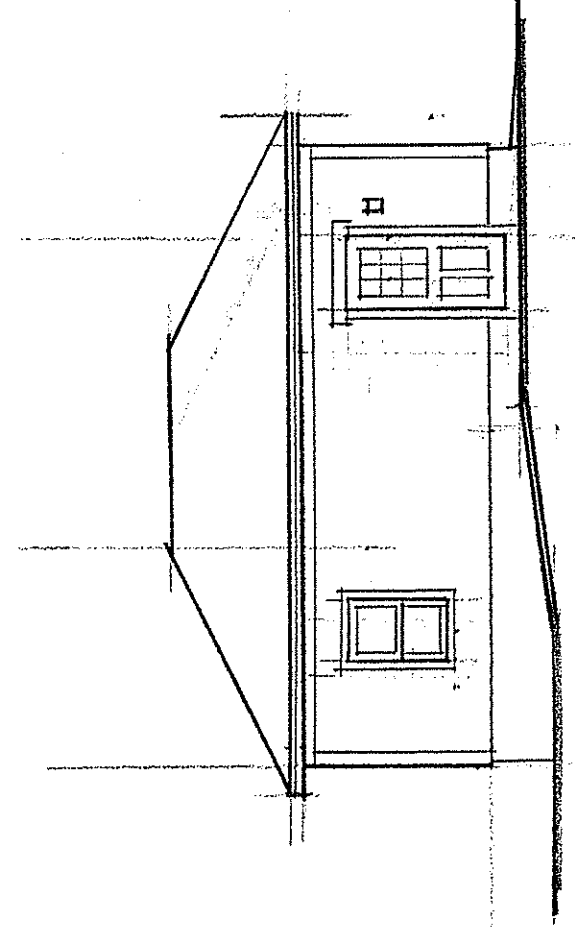
SCALE: AS SHOWN

JMB #: C-527

SHEET:

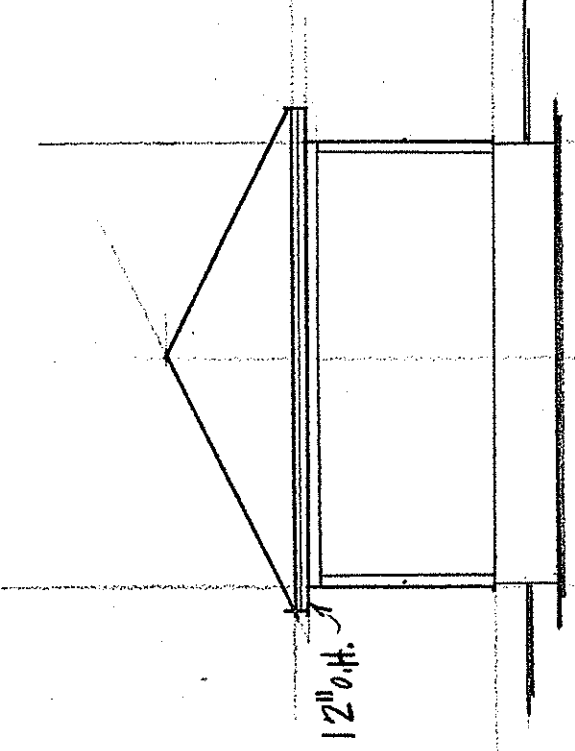
1 of 3

**A/I**  
**BID**



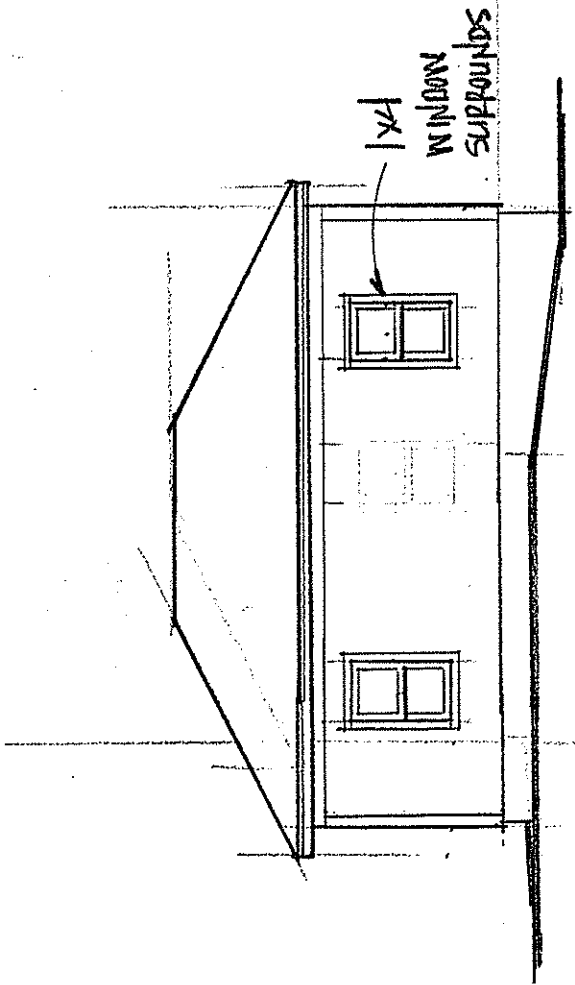
LEFT ELEVATION

SCALE: 1/8" = 1'-0"



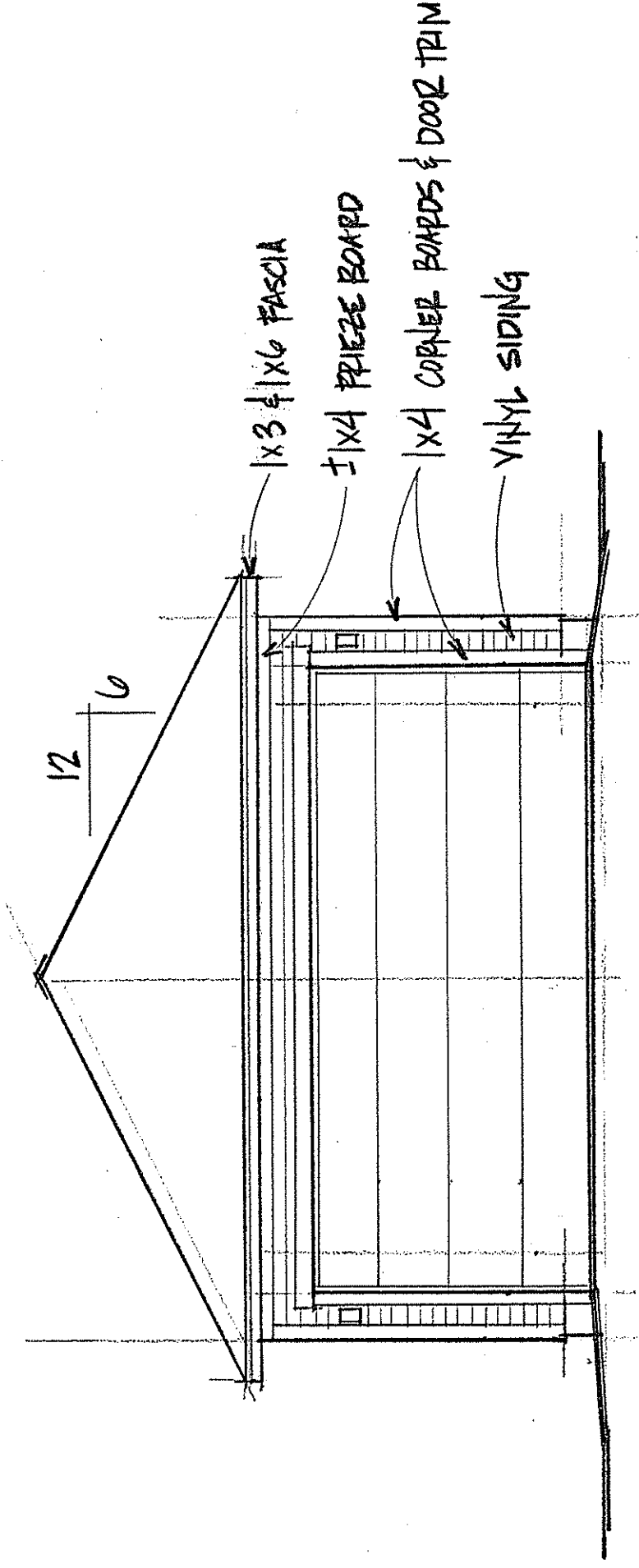
REAR ELEVATION

SCALE: 1/8" = 1'-0"



RIGHT ELEVATION

SCALE: 1/8" = 1'-0"



FRONT ELEVATION

SCALE: 1/4" = 1'-0"

NOTE: THE BUILDING CONTRACTOR IS RESPONSIBLE FOR ENSURING STRUCTURAL INTEGRITY AND CODE COMPLIANCE.

© 2013 JOINER DESIGN CO., ALL RIGHTS RESERVED. REPRODUCTION AND REUSE OF THESE PLANS, EITHER IN WHOLE OR IN PART, INCLUDING ANY FORM AND/OR PREPARATION OF DERIVATIVE WORKS, IS STRICTLY PROHIBITED. ALL DESIGNS ARE A LICENSED PRODUCT, SUBJECT TO A ONE-TIME USE. JOINER DESIGN CO. IS THE COPYRIGHT OWNER GRANTING A LIMITED, NON-EXCLUSIVE, NON-TRANSFERABLE LICENSE TO BUILD ONE AND ONLY ONE STRUCTURE.