

923512

186 A 003

Permit # _____ City of _____ BUILDING PERMIT APPLICATION Fee _____ Zone _____ Map # _____ Lot# _____

Please fill out any part which applies to job. Proper plans must accompany form.

PERMIT ISSUED
Date: _____
Subdivision: _____
Name: MAR 31 1992
Lot: _____
Ownership: _____ Public
Private

Owner: _____ Phone # _____
 Address: 1251 Congress St; Ptld, ME 04192
 LOCATION OF CONSTRUCTION 1251 Congress St.
 Contractor: _____ Sub.: _____
 Address: _____ Phone # _____
 Est. Construction Cost: _____ Proposed Use: school w sign
 Past Use: school
 # of Existing Res. Units _____ # of New Res. Units _____
 Building Dimensions L _____ W _____ Total Sq. Ft. _____
 # Stories: _____ # Bedrooms _____ Lot Size: _____
 Is Proposed Use: Seasonal _____ Condominium _____ Conversion _____
 Explain Conversion temporary sign - 3/30/92 to 4/6/92

For Official Use Only
 Date: _____
 Inside Fire Limits _____
 Bldg Code _____
 Time Limit _____
 Estimated Cost _____
 Subdivision: _____
 Name: MAR 31 1992
 Lot: _____
 Ownership: _____ Public
 Private

Zoning:
 Street Frontage Provided: _____
 Provided Setbacks: Front _____ Back _____ Side _____
Review Required:
 Zoning Board Approval: Yes _____ No _____ Date: _____
 Planning Board Approval: Yes _____ No _____ Date: _____
 Conditional Use: _____ Variance _____ Site Plan _____ Subdivision _____
 Shoreland Zoning Yes _____ No _____ Floodplain Yes _____ No _____
 Special Exception _____
 Other (Explain) _____

Foundation:
 1. Type of Soil: _____
 2. Set Backs - Front _____ Rear _____ Side(s) _____
 3. Footings Size: _____
 4. Foundation Size: _____
 5. Other _____

Ceiling:
 1. Ceiling Joists Size: _____
 2. Ceiling Strapping Size _____ Spacing _____
 3. Type Ceilings: _____
 4. Insulation Type _____ Size _____
 5. Ceiling Height: _____

Floor:
 1. Sills Size: _____ Sills must be anchored.
 2. Girder Size: _____
 3. Lally Column Spacing: _____ Size: _____
 4. Joists Size: _____ Spacing 16" O.C.
 5. Bridging Type: _____ Size: _____
 6. Floor Sheathing Type: _____ Size: _____
 7. Other Material: _____

Roof:
 1. Truss or Rafter Size _____ Span _____ Action: _____ Approved.
 2. Sheathing Type _____ Size _____ Approved with Conditions
 3. Roof Covering Type _____ Denied.

Exterior Walls:
 1. Studding Size _____ Spacing _____
 2. No. windows _____
 3. No. Doors _____
 4. Header Sizes _____ Span(s) _____
 5. Bracing: Yes _____ No _____
 6. Corner Posts Size _____
 7. Insulation Type _____ Size _____
 8. Sheathing Type _____ Size _____
 9. Siding Type _____ Weather Exposure _____
 10. Masonry Materials _____
 11. Metal Materials _____

Chimneys:
 Type: _____ Number of Fire Places _____
Heating:
 Type of Heat: _____

Interior Walls:
 1. Studding Size _____ Spacing _____
 2. Header Sizes _____ Span(s) _____
 3. Wall Covering Type _____
 4. Fire Wall if required _____
 5. Other Materials _____

Electrical:
 Service Entrance Size: _____ Smoke Detector Required Yes _____ No _____
Plumbing:
 1. Approval of soil test if required Yes _____ No _____
 2. No. of Tubs or Showers _____
 3. No. of Flushes _____
 4. No. of Lavatories _____
 5. No. of Other Fixtures _____

Swimming Pools:
 1. Type: _____
 2. Pool Size : _____ x _____ Square Footage _____
 3. Must conform to National Electrical Code and State Law.

Permit Received By Louise E. Chase
 Signature of Applicant Charles Lander Date 3/27/92
 CEO's District _____

White - Tax Assessor

Ivory Tag - CEO

CONTINUED TO REVERSE SIDE
14 MR Carroll

PLOT PLAN



Done w/out insp.

FEES (Breakdown From Front)

Base Fee \$ 10-
 Subdivision Fee \$ _____
 Site Plan Review Fee \$ _____
 Other Fees \$ _____
 (Explain) _____
 Late Fee \$ _____

Inspection Record

Type	Date
_____	____/____/____
_____	____/____/____
_____	____/____/____
_____	____/____/____
_____	____/____/____

COMMENTS

CERTIFICATION

I hereby certify that I am the owner of record of the named property, or that the proposed work is authorized by the owner of record and that I have been authorized by the owner to make this application as has authorized agent and I agree to conform to all applicable laws of this jurisdiction. In addition, if a permit for work described in this application is issued, I certify that the code official or the code official's authorized representative shall have the authority to enter areas covered by such permit at any reasonable hour to enforce the provisions of the code(s) applicable to such permit.

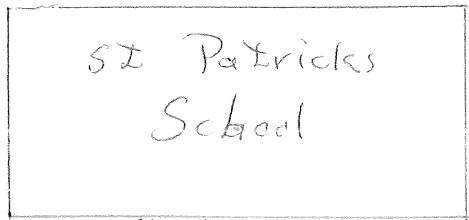
Chade Sander
 SIGNATURE OF APPLICANT

ADDRESS

774-2974
 PHONE NO.

RESPONSIBLE PERSON IN CHARGE OF WORK, TITLE

PHONE NO.



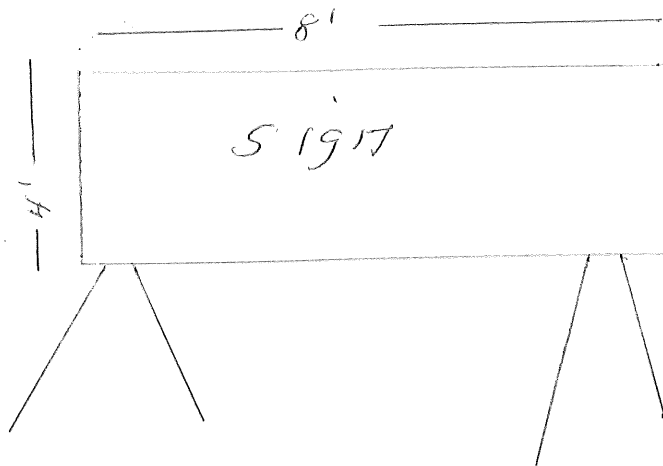
1251 Congress



Fence



Congress St



RECEIVED

MAR 27 1992

DEPT OF BUILDING
CITY OF PORTLAND