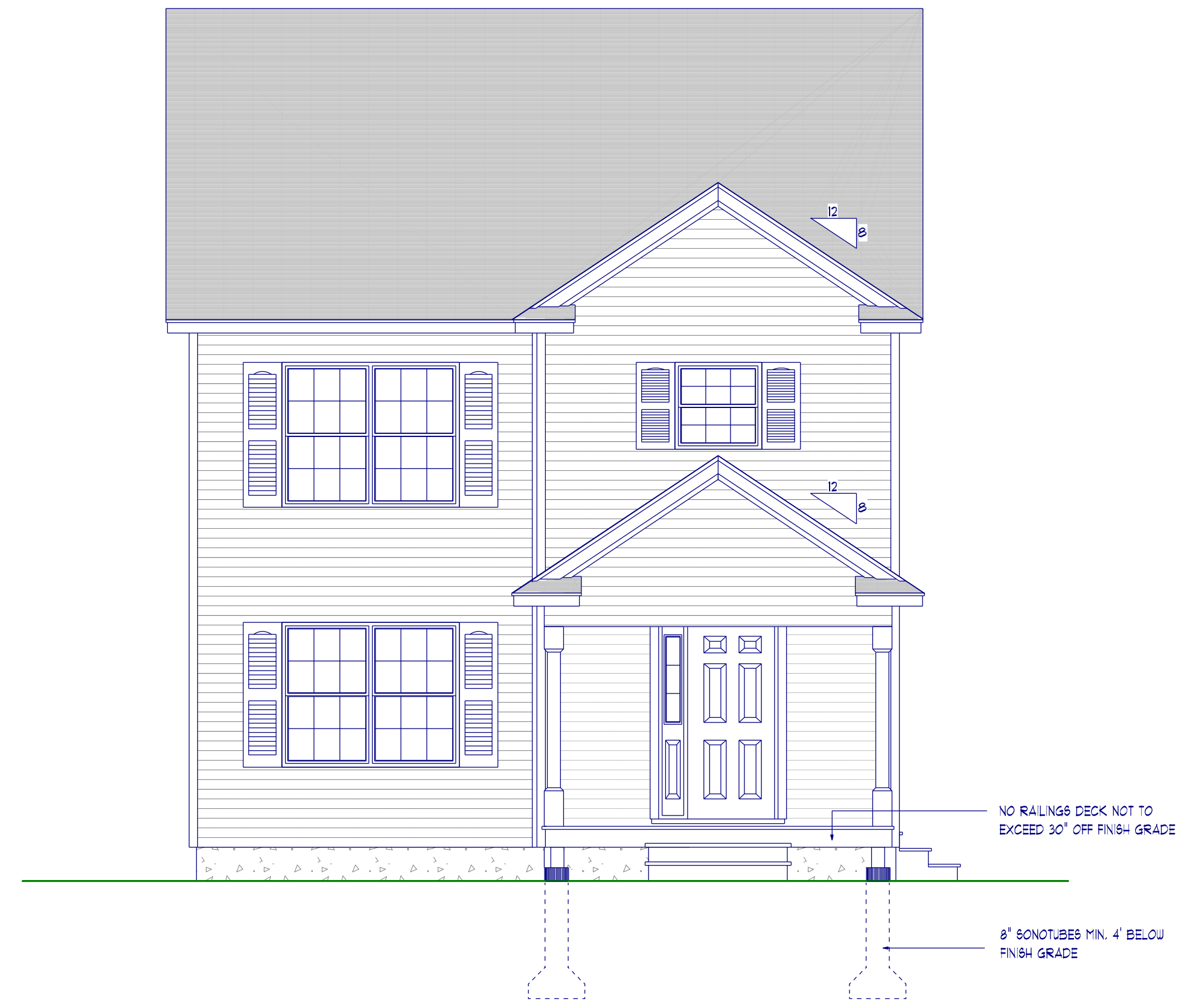




Left Elevation
1/4" = 1'-0"



Front Elevation
1/4" = 1'-0"




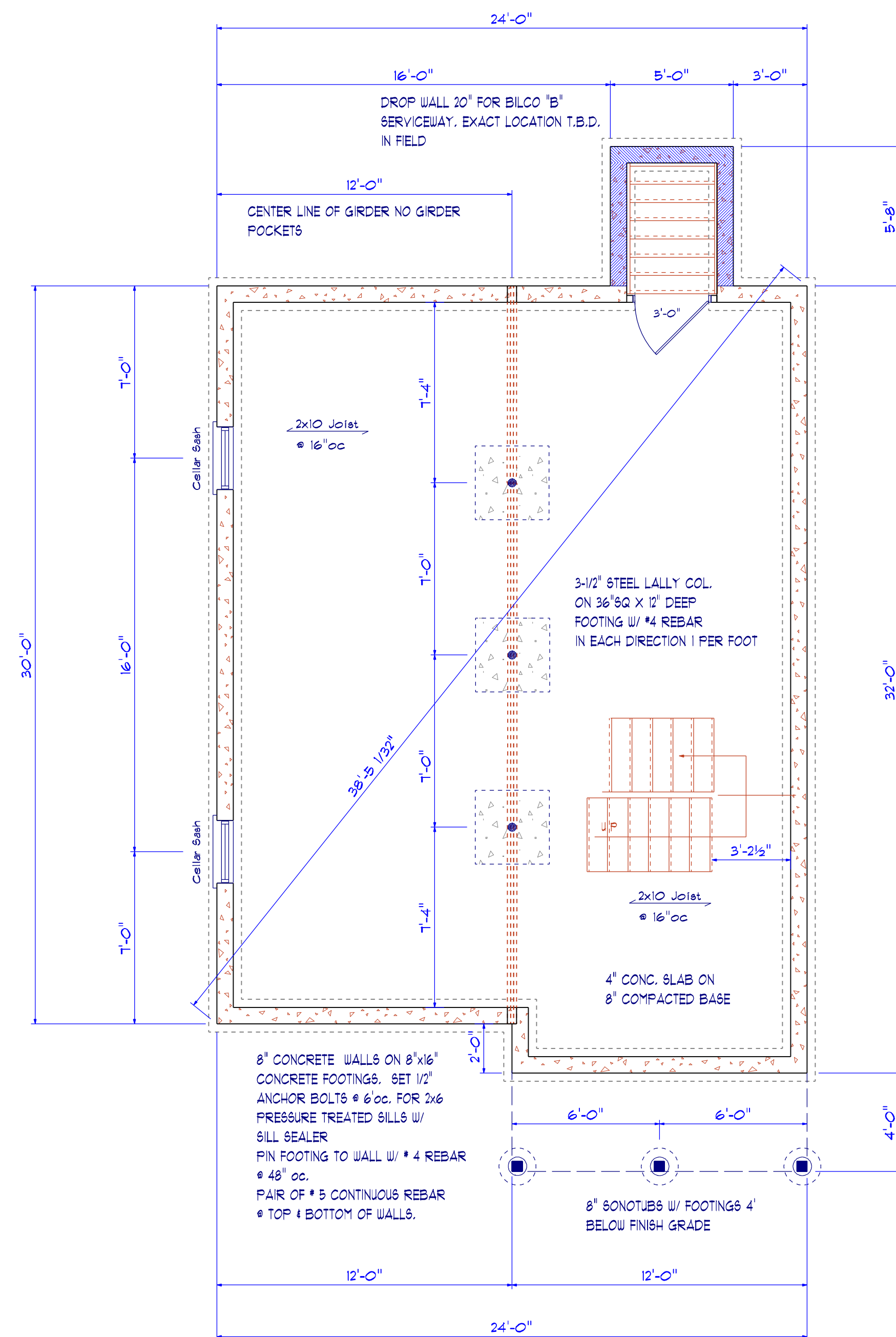
Right Elevation
1/4" = 1'-0"



Rear Elevation
1/4" = 1'-0"



 ROBIE BUILDERS, LLC		1,488 SF Two Story	
New Homes Additions Excavation FREE Estimates Fully Insured <small>Find us on Facebook</small>		Jarod Robie, Owner/Sales 1 Diamond Point Road P.O. Box 1508 Windham, ME 04062 C: 207-831-3582 O: 207-892-0650 F: 207-892-1340 JarodRobie@hotmail.com	
Plan For: 32 Mass Ave. Portland		1 3	
Drawn by: Wayne Paradis <small>892-3424</small>		Mar. 26, 2018	



Foundation Plan
1/4" = 1'-0"

ROOF SYSTEM:

ASPHALT SHINGLES (ARCHITECTURAL)
DRIPEDGE @ EAVES & RAKE
ICE & WATER EAVE PROTECTION @ EAVES
3/8" STRIP OF EAVE PROTECTION IN VALLEYS
5/8 OSB ROOF SHEATHING
TRUSSES @ 24" OC.

UPPER FLOOR:

3/4" T&G ADVANTECH SUB-FLOORING
11-7/8" NI 20s @ 16" OC.

EXTERIOR WALLS:

VINYL SIDING
1/16" OSB SHEATHING
TYFAR HOUSE WRAP
2x6 STUDS @ 16" OC
1/2" DRYWALL WALLS & CEILING

LOWER FLOOR:

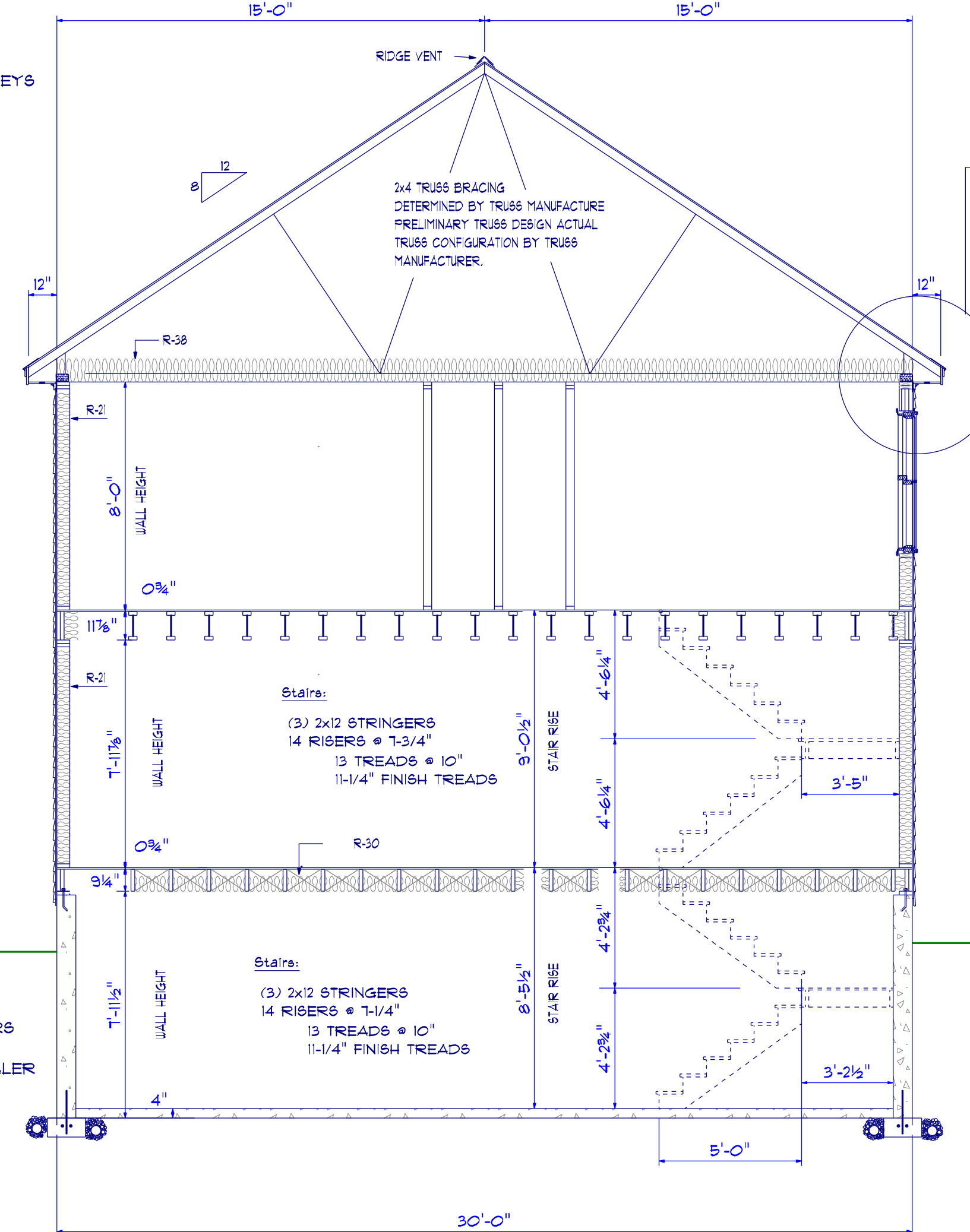
3/4" T&G ADVANTECH SUB-FLOORING
2x10 JOIST @ 16" OC.
(3) 2x12 GIRDERS W/ HANGERS OR LEDGERS
3-1/2" STEEL LALLY COL.
2x6 PRESSURE TREATED SILLB W/ SILL SEALER

PORCH:

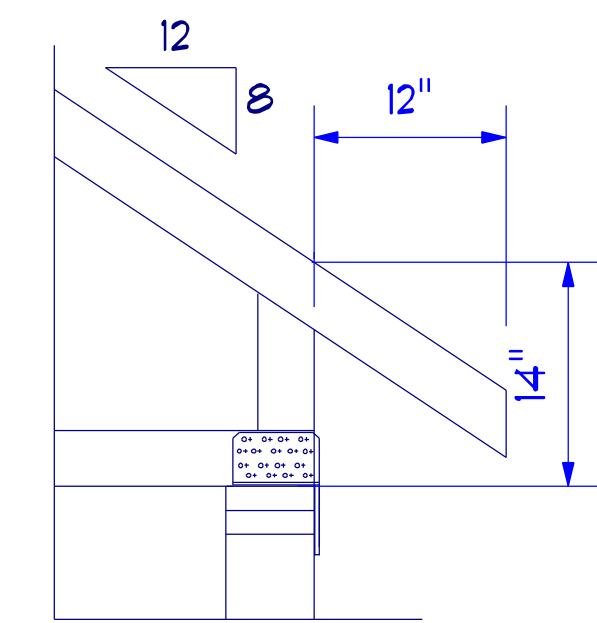
2x8 RAFTERS @ 16" OC.
(2) 2x10 HEADERS WITH 1/2" PLY.
FILLER
2x6 CEILING JOIST @ 16" OC.
VINYL CEILING

EXTERIOR DECKING:

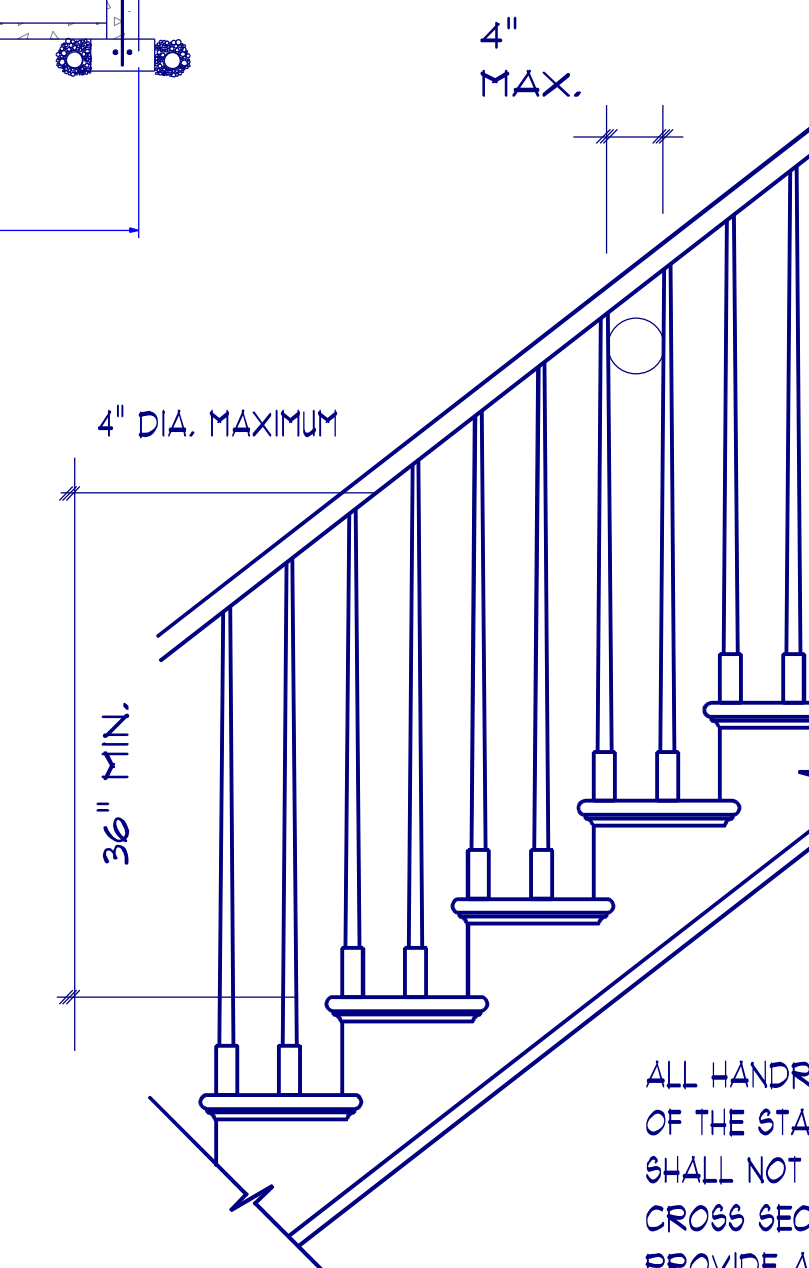
5/4 DECKING (SPACED)
2x8 PRESSURE TREATED JOIST @ 16" OC
(2) 2x8 PRESSURE TREATED BOX SILL & END JOIST
6x6 PRESSURE TREATED SUPPORT POST



Section "A"
1/4" = 1'-0"



INSTALL HURRICANE CLIPS ON EACH TRUSS



NOT LESS THAN 36" IN HEIGHT WITH PATTERN / SPACING SUCH THAT A SPHERE 4" IN DIA. CANNOT PASS THROUGH

ALL HANDRAILS SHALL BE CONTINUOUS THE FULL LENGTH OF THE STAIRS. HANDGRIP PORTION OF ALL HANDRAILS SHALL NOT BE LESS THAN 1-1/4" NOR MORE THAN 2" IN CROSS SECTIONAL DIMENSION, OR THE SHAPE SHALL PROVIDE AN EQUIVALENT GRIPPING SURFACE

<p>ROBIE BUILDERS, LLC</p> <p>New Homes Additions Excavation FREE Estimates Fully Insured Find us on Facebook</p>		1,488 SF Two Story		
		<p>Plan For:</p> <p>32 Mass Ave. Portland</p>	<p>3 3</p>	
<p>Jarod Robie, Owner/Sales</p> <p>1 Diamond Point Road P.O. Box 1508 Windham, ME 04062</p> <p>C: 207-831-3582 O: 207-892-0650 F: 207-892-1340 JarodRobie@hotmail.com</p>		<p>ROBIE BUILDERS</p>	<p>Drawn by: Wayne Paradis 892-3424</p>	<p>Mar. 26, 2018</p>