

# City of Portland, Maine - Building or Use Permit Application

389 Congress Street, 04101 Tel: (207) 874-8703, Fax: (207) 874-8716

Permit No: 09-1269	Issue Date:	CBL: 185 B017001
-----------------------	-------------	---------------------

Location of Construction: 33 COLONIAL RD	Owner Name: HABIBZAI NARGIS A	Owner Address: 33 COLONIAL RD	Phone:
Business Name:	Contractor Name: Jim Jackson	Contractor Address: 30 Bolton Street Portland	Phone 20783 11810
Lessee/Buyer's Name	Phone:	Permit Type: HVAC	Zone: R5

Past Use: Single Family Home	Proposed Use: Single Family Home - install a Weil -McLain Gas Boiler	Permit Fee: \$80.00	Cost of Work: \$5,500.00	CEO District: 3
Proposed Project Description: install a Weil -McLain Gas Boiler		FIRE DEPT: <input type="checkbox"/> Approved <input type="checkbox"/> Denied	INSPECTION: Use Group: R3 Type: SB IRC 2003 ST ME GAS REGS	
		Signature: <i>JM 11/2/09</i>		Signature: <i>JM 11/2/09</i>
PEDESTRIAN ACTIVITIES DISTRICT (P.A.D.)				
Action: <input type="checkbox"/> Approved <input type="checkbox"/> Approved w/Conditions <input type="checkbox"/> Denied				
Signature: _____ Date: _____				

Permit Taken By: Ldobson	Date Applied For: 11/10/2009	<b>Zoning Approval</b>		
<ol style="list-style-type: none"> <li>This permit application does not preclude the Applicant(s) from meeting applicable State and Federal Rules.</li> <li>Building permits do not include plumbing, septic or electrical work.</li> <li>Building permits are void if work is not started within six (6) months of the date of issuance. False information may invalidate a building permit and stop all work..</li> </ol>	<b>Special Zone or Reviews</b> <input type="checkbox"/> Shoreland <input type="checkbox"/> Wetland <input type="checkbox"/> Flood Zone <i>(OK)</i> <input type="checkbox"/> Subdivision <input type="checkbox"/> Site Plan Maj <input type="checkbox"/> Minor <input type="checkbox"/> MM <input type="checkbox"/> Date: <i>JM 11/2/09</i>	<b>Zoning Appeal</b> <input type="checkbox"/> Variance <input type="checkbox"/> Miscellaneous <input type="checkbox"/> Conditional Use <input type="checkbox"/> Interpretation <input type="checkbox"/> Approved <input type="checkbox"/> Denied Date: _____	<b>Historic Preservation</b> <input checked="" type="checkbox"/> Not in District or Landmark <input checked="" type="checkbox"/> Does Not Require Review <input type="checkbox"/> Requires Review <input type="checkbox"/> Approved <input type="checkbox"/> Approved w/Conditions <input type="checkbox"/> Denied Date: _____	

## CERTIFICATION

I hereby certify that I am the owner of record of the named property, or that the proposed work is authorized by the owner of record and that I have been authorized by the owner to make this application as his authorized agent and I agree to conform to all applicable laws of this jurisdiction. In addition, if a permit for work described in the application is issued, I certify that the code official's authorized representative shall have the authority to enter all areas covered by such permit at any reasonable hour to enforce the provision of the code(s) applicable to such permit.

PERMIT ISSUED

NOV 12 2009

SIGNATURE OF APPLICANT	ADDRESS	DATE	PHONE
RESPONSIBLE PERSON IN CHARGE OF WORK, TITLE		DATE	PHONE

City of Portland



FILL IN AND SIGN WITH INK

PERMIT ISSUED

# APPLICATION FOR PERMIT HEATING OR POWER EQUIPMENT

NOV 1 2009  
City of Portland

To the INSPECTOR OF BUILDINGS, PORTLAND, ME.

The undersigned hereby applies for a permit to install the following heating, cooking or power equipment in accordance with the Laws of Maine, the Building Code of the City of Portland, and the following specifications:

Location / CBL Portland 185 B-17 Use of Building Duplex Date 11-10-09  
 Name and address of owner of appliance 35 Colonial Rd Habibca:  
 Installer's name and address Jim Jackson 30 Bolton St Portland Me 04102  
 Telephone 831-1810

### Location of appliance:

- Basement
- Attic
- Floor
- Roof

### Type of Fuel:

- Gas
- Oil
- Solid

Appliance Name: Weil-McLain

U.L. Approved  Yes  No

Will appliance be installed in accordance with the manufacturer's installation instructions?  Yes  No

IF NO Explain: \_\_\_\_\_

### The Type of License of Installer:

- Master Plumber # ms 2731
- Solid Fuel # \_\_\_\_\_
- Oil # \_\_\_\_\_
- Gas # POT 1604
- Other \_\_\_\_\_

### Type of Chimney:

- Masonry Lined  
Factory built \_\_\_\_\_
- Metal  
Factory Built U.L. Listing # \_\_\_\_\_
- Direct Vent  
Type \_\_\_\_\_ UL# \_\_\_\_\_

### Type of Fuel Tank

- Oil
- Gas

Size of Tank \_\_\_\_\_

Number of Tanks \_\_\_\_\_

Distance from Tank to Center of Flame \_\_\_\_\_ feet.

Cost of Work: \$ 3500

Permit Fee: \$ 80

**RECEIVED**  
 NOV 10 2009  
 Dept. of Building Inspections  
 City of Portland Maine

### Approved

### Approved with Conditions

Fire: \_\_\_\_\_

Ele.: \_\_\_\_\_

Bldg.: \_\_\_\_\_

See attached letter or requirement

Inspector's Signature

Date Approved

Signature of Installer

Jim M. Jackson  
 White - Inspection    Yellow - File    Pink - Applicant's    Gold - Assessor's Copy



# City of Portland, Maine - Building or Use Permit

389 Congress Street, 04101 Tel: (207) 874-8703, Fax: (207) 874-8716

<b>Permit No:</b> 09-1269	<b>Date Applied For:</b> 11/10/2009	<b>CBL:</b> 185 B017001
------------------------------	--	----------------------------

<b>Location of Construction:</b> 33 COLONIAL RD	<b>Owner Name:</b> HABIBZAI NARGIS A	<b>Owner Address:</b> 33 COLONIAL RD	<b>Phone:</b>
<b>Business Name:</b>	<b>Contractor Name:</b> Jim Jackson	<b>Contractor Address:</b> 30 Bolton Street Portland	<b>Phone:</b> (207) 831-1810
<b>Lessee/Buyer's Name</b>	<b>Phone:</b>	<b>Permit Type:</b> HVAC	

<b>Proposed Use:</b> Single Family Home - install a Weil -McLain Gas Boiler	<b>Proposed Project Description:</b> install a Weil -McLain Gas Boiler
--	---

<b>Dept:</b> Zoning <b>Status:</b> Approved with Conditions <b>Reviewer:</b> Tom Markley <b>Approval Date:</b> 11/12/2009 <b>Note:</b> <b>Ok to Issue:</b> <input checked="" type="checkbox"/>
1) This is NOT an approval for an additional dwelling unit. You SHALL NOT add any additional kitchen equipment including, but not limited to items such as stoves, microwaves, refrigerators, or kitchen sinks, etc. Without special approvals. 2) This property shall remain a single family dwelling. Any change of use shall require a separate permit application for review and approval.
<b>Dept:</b> Building <b>Status:</b> Approved with Conditions <b>Reviewer:</b> Tom Markley <b>Approval Date:</b> 11/12/2009 <b>Note:</b> <b>Ok to Issue:</b> <input checked="" type="checkbox"/>
1) The appliance and venting shall be installed in accordance with the UL listing, IMC 2003 and NFPA 211. 2) The installation must comply with the State of Maine Gas Regulations. 3) Application approval based upon information provided by applicant. Any deviation from approved plans requires separate review and approval prior to work.

PERMIT ISSUED

NOV 1 2009  
City of Portland

# WEIL-McLAIN

**SGO**

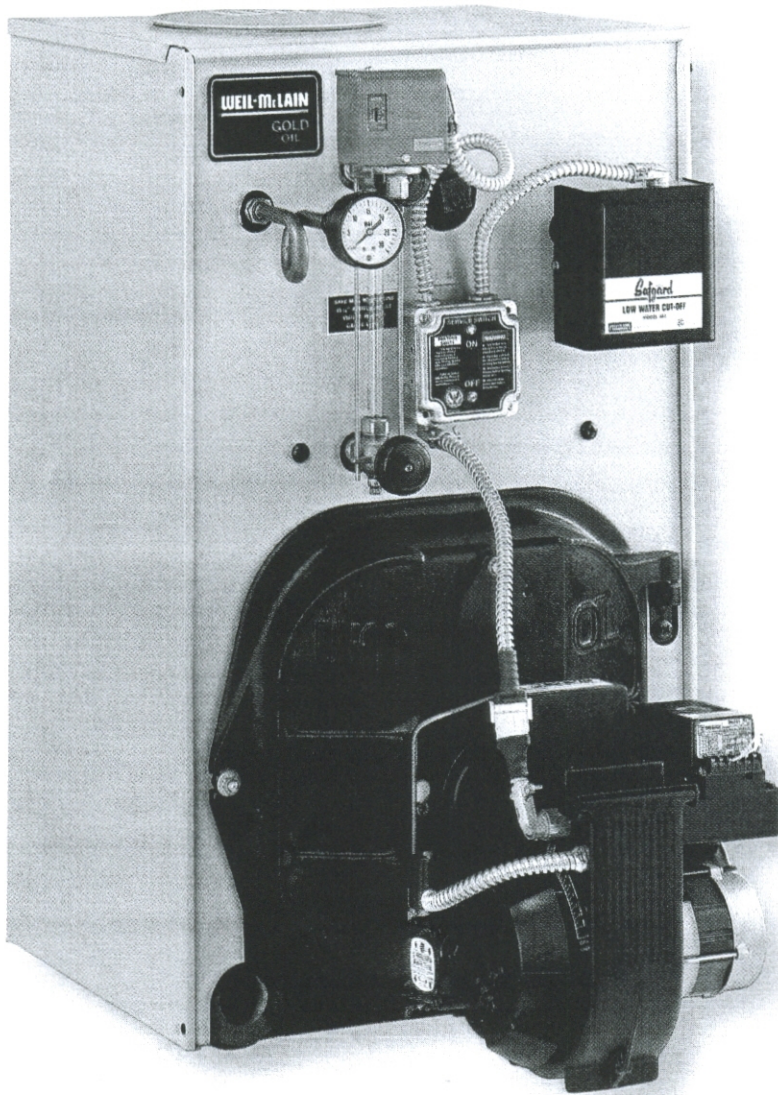
Oil-Fired  
Steam Boiler  
with tankless opening

*an ISO 9001 Certified Company*

# SGO

GOLD Series 3

## OIL-FIRED Steam BOILER WITH TANKLESS HEATER OPENING



### Ratings — (8 sizes)

354 – 921 SQ FT NET STEAM

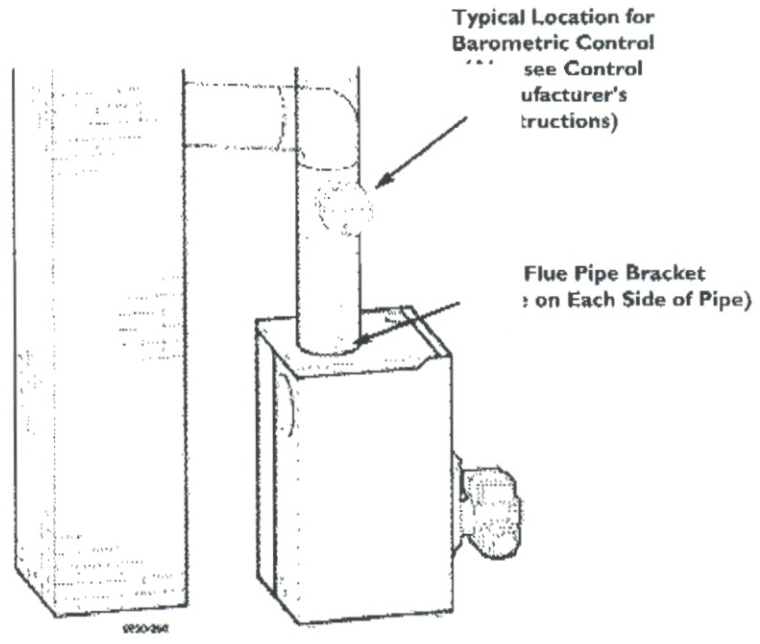
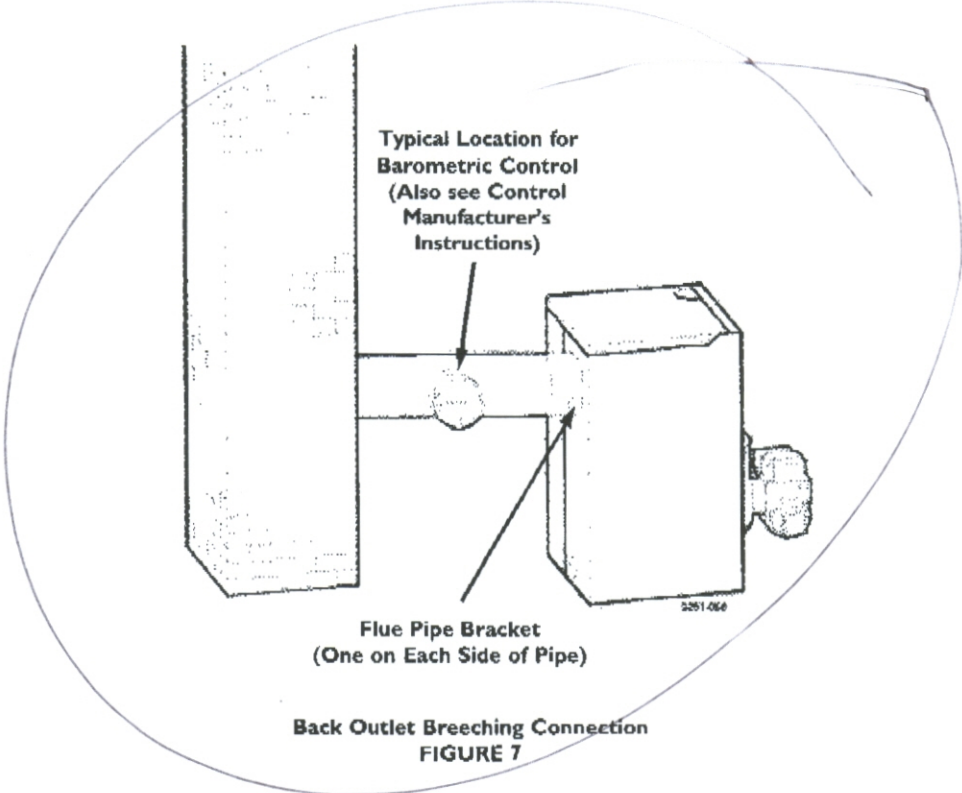
0.95 – 2.55 GPH #2 FUEL OIL

- Specifically designed for steam**  
Large water content; longer steaming times
- High efficiency**  
Save fuel with 85% & higher AFUE
- Convertible flue (rear/top)**  
Easy switch from rear to top flue
- Swing-away burner door**  
Easy to open or remove; full access to chamber
- Easy inspection & cleaning**  
Quick-open cover; top cleaning full width
- Factory-wired circulator**  
Circulator harness wired; circulator ships loose
- Service switch**  
Easy power disconnect for servicing boiler
- Recessed target wall**  
Design protects target wall from flue brush
- Captured seal nipple port design**  
Grooves protect seals from contaminants
- Burner shipped separately**  
... for maximum flexibility





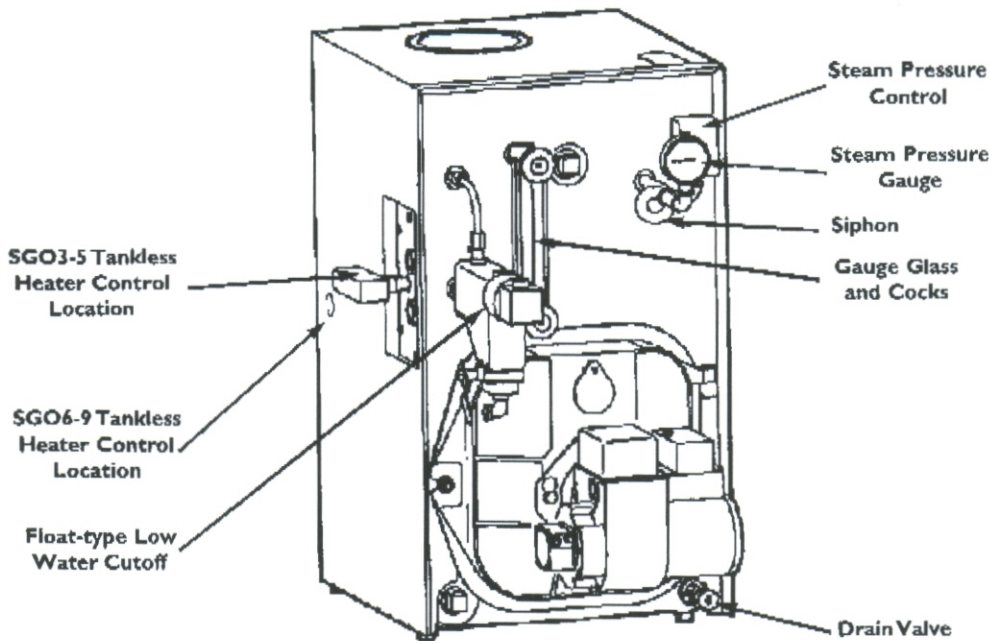
**Connect Breeching** CONTINUED **P** **A**



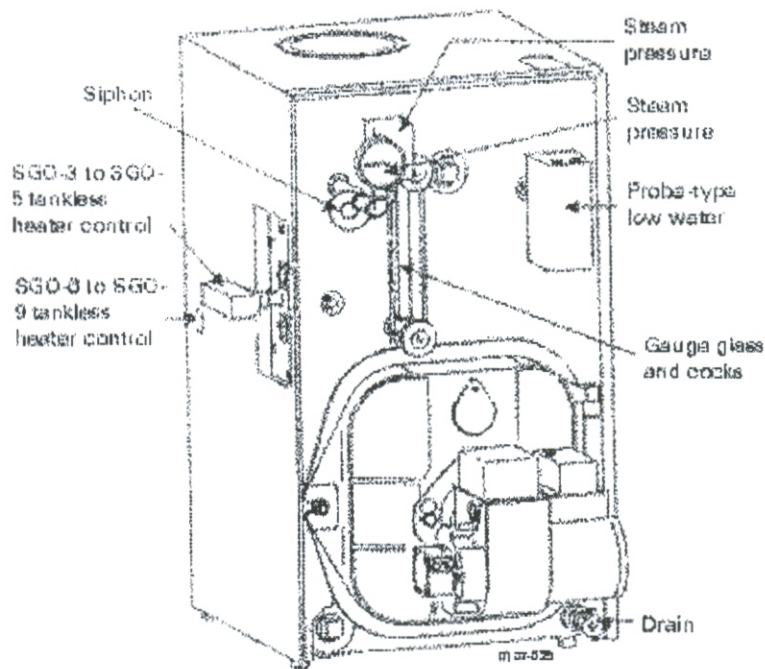
Top Outlet Breeching Connection  
FIGURE 8

*Jim J... outside plus*

# Install Packaged and Non-Packaged Boiler



Steam Boiler Controls With Float-Type LWCO (Optional Tankless Heater Control)  
FIGURE 5



Steam Boiler Controls With Probe-Type LWCO (Optional Tankless Heater Control)  
FIGURE 6





## Connect Breeching

### General chimney requirements:

- Designed for natural draft firing. Connect boiler to vertical chimney.

**DANGER**

Insufficient draft can cause flue gas leakage and carbon monoxide emissions, which will lead to severe personal injury or death.

- Use vent material approved by local codes for oil-fired burners. In their absence, refer to:
  - NFPA 31, Installation of Oil-Burning Equipment.
  - NFPA 211, Standard for Chimneys, Fireplaces, Vents and Solid Fuel Burning Appliances.
  - In Canada, refer to CSA B139, Installation Code for Oil-Burning Equipment.
- NFPA 211 requires chimney to be lined before connected to boiler.

**DANGER**

Inspect existing chimney before installing new boiler. Failure to do any of the following will result in severe personal injury or death:

- Clean chimney, including removal of blockage.
- Repair or replace damaged pipe or liner.
- Repair mortar and joints.

To prevent downdrafts, extend chimney at least 3 feet above highest point where it passes through roof and 2 feet higher than any portion of building within 10 feet. Increase chimney cross-sectional area and height at least 4% per 1,000 feet above sea level.

- Minimum clearances from vent pipe to combustible material:
  - 6 inches — Type "L" doublewall vent
  - 18 inches — Singlewall vent
- Minimum chimney sizes should be used.

**NOTICE**

Oversized chimneys, outside masonry chimneys and/or derated inputs can result in condensation in chimney.

### Connect breeching:

**WARNING**

Long horizontal breechings, excessive number of tees and

**MINIMUM CHIMNEY SIZE TABLE**

BOILER MODEL NUMBER	*** MINIMUM BREECHING DIAMETER	MINIMUM I=B=R CHIMNEY SIZE		MINIMUM CHIMNEY HEIGHT
		RECT.	ROUND	
SGO-3	5"	8" x 8"	6"	15'
SGO-4	6"	*		
SGO-5	6"	8" x 8"	7"	15'
SGO-6	7"	*		
SGO-7	7"			
SGO-8	7"	8" x 12"	7"	20'
SGO-9		**		

\* 6¼" x 6¼" inside liner

\*\* 6¼" x 10¼" inside liner

\*\*\* Flue collar on boiler is 7" diameter

elbows, or other obstructions restricting combustion gas flow can result in possibility of condensation, flue gas leakage and carbon monoxide emissions, which can lead to severe personal injury or death.

- Install 2 flue pipe brackets.
  - Connect full-sized breeching when possible. See Minimum Chimney Size Table.
    - Back outlet — see FIGURE 7.
    - Top outlet — see FIGURE 8.
  - Connection must be made above bottom of chimney to avoid blockage. Breeching must not enter chimney far enough to cause obstruction. Use thimble or slip joint where breeching enters chimney to allow removal for cleaning.
  - When burner and boiler are properly installed, draft overfire will be approximately -0.01" to -0.02" W.C. Install barometric control in breeching, per control manufacturer's instructions, when excess draft needs to be relieved or to comply with applicable codes and regulations. Use draft gauge to adjust proper opening.
  - An induced draft fan for the chimney may be necessary if:
    - Excessive resistance to flow of combustion gases can be expected.
    - Cross-sectional area of chimney is smaller than minimum recommended.
    - Chimney height is less than recommended.
- Seal all vent joints. Interlock burner with fan operation.