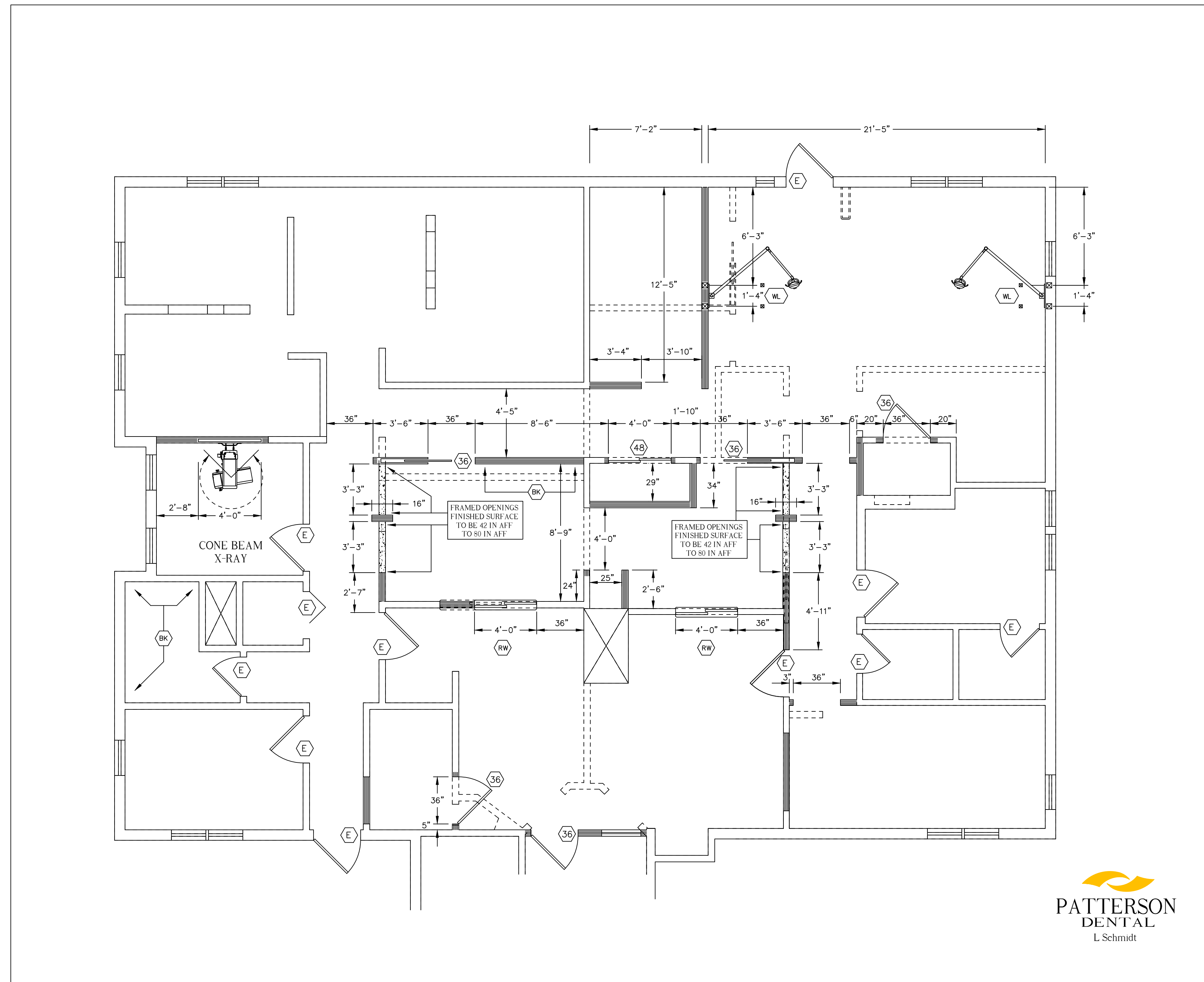


# DR MICHAEL BUFO... PROPOSED OFFICE LAYOUT

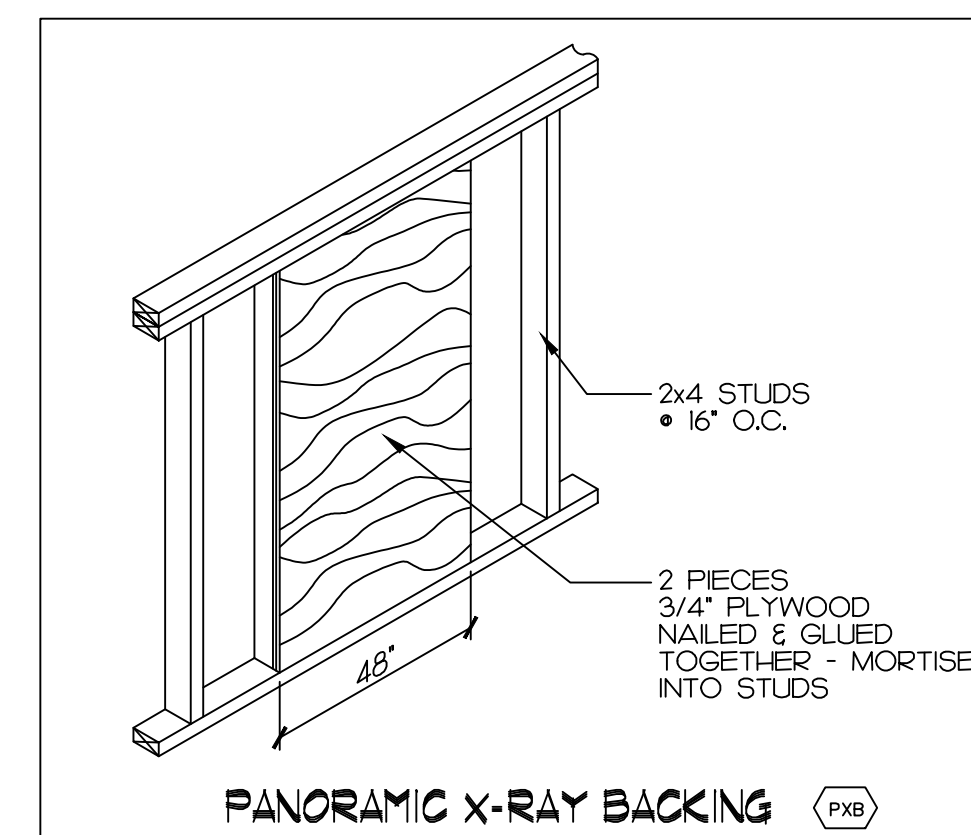
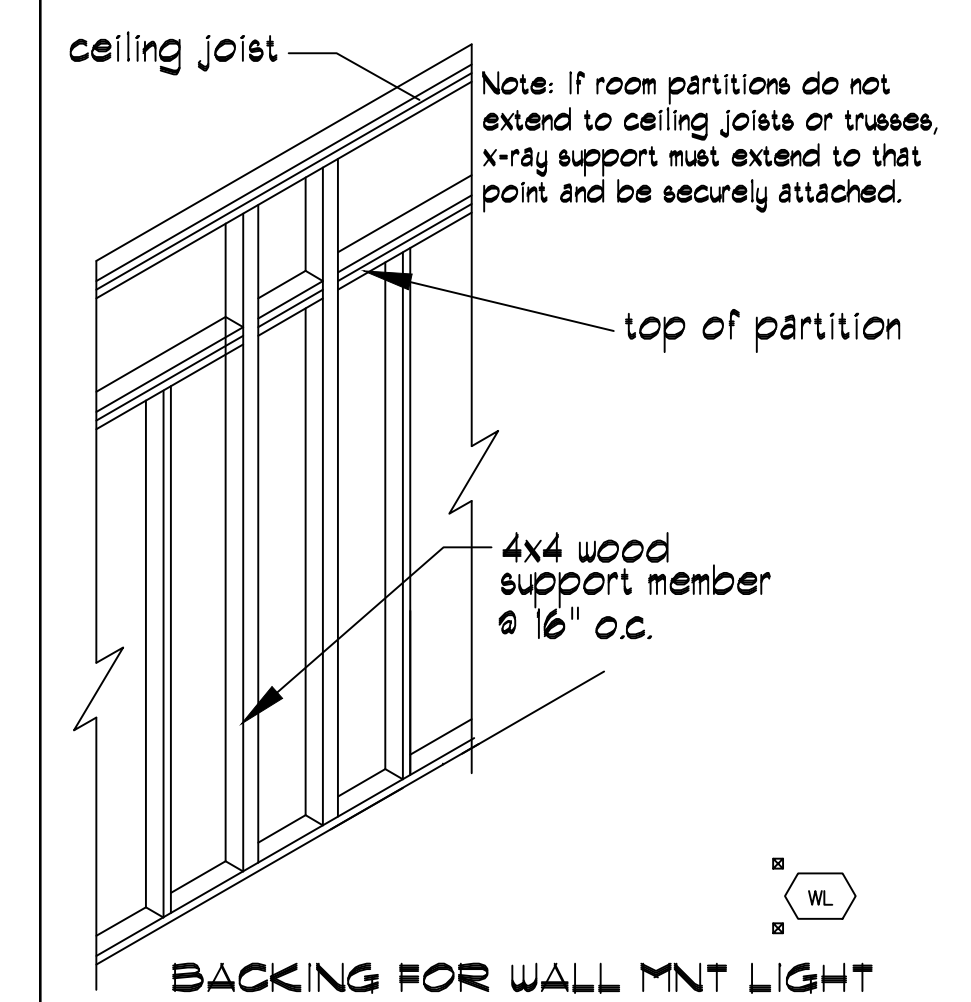
## CARPENTRY SPECIFICATIONS



**PATTERSON  
DENTAL**  
L Schmidt

**AUGUST 2, 2013**  
CARPENTER'S SPECIFICATIONS

- (PWP) PARTITIONS - To be full ceiling height (8'0") unless otherwise specified. 5/8" SHEETROCK...BOTH SIDES
- EXISTING PARTITIONS TO REMAIN AS IS
- ===== PARTITIONS TO BE NEWLY CONSTRUCTED
- EXISTING PARTITIONS TO BE REMOVED
- PARTIAL HGT WALL TO BE NEWLY CONSTRUCTED 42" AFF TO TOP
- (E) DOOR - EXISTING...TO REMAIN AS IS
- (36) DOOR - 36" CONSULT WITH DOCTOR FOR EXACT SPECS
- (48) DOOR - 48" CONSULT WITH DOCTOR FOR EXACT SPECS
- (WL) BACKING FOR WALL MNTD LIGHT - Install two (2) 4" X 4" posts 16" on center. Install from floor to supporting structure above. Wall to support 1,500 Lbs. off center load. Follow manufacturer's specifications.
- (RW) SLIDING GLASS WINDOW - Between reception room and business office, to be 48" wide X 32" high. Bottom of window 42" above floor. Glazier to provide clear glass.
- (BK) BACKING FOR MODULAR WALL-HUNG CABINETS Install 2" X 8" flat, centered at 80" above floor across entire cabinet area. Must support 150 Lbs. weight.
- (PXB) BACKING FOR PANORAMIC X-RAY Install 2 pieces of 3/4" plywood to be centered on wall where PAN X-RAY will be mounted. Must support 150 Lbs. weight.



THESE DRAWINGS AND SPECIFICATIONS ARE THE PROPERTY OF PATTERSON DENTAL. NO PART OF THESE DRAWINGS OR SPECIFICATIONS ARE TO BE REPRODUCED OR TRANSMITTED IN ANY FORM OR BY ANY MEANS, ELECTRONIC OR MECHANICAL, INCLUDING PHOTOCOPYING, RECORDING, OR BY ANY INFORMATION STORAGE AND RETRIEVAL SYSTEM, WITHOUT THE WRITTEN PERMISSION OF PATTERSON DENTAL SUPPLY, INC. WRITTEN DIMENSIONS SHALL TAKE PRECEDENCE OVER SCALE DIMENSIONS AND SHALL BE REFERRED TO ON THE JOB SITE. ALL WORK SHALL BE BROUGHT TO THE ATTENTION OF PATTERSON DENTAL SUPPLY PRIOR TO THE COMMENCEMENT OF ANY WORK. THE CONTRACTOR SHALL BE RESPONSIBLE FOR ALL CURRENT AMERICAN NATIONAL STANDARDS AND CODES. THE CONTRACTOR SHALL ALSO BE RESPONSIBLE FOR ALL REQUIRED BACKLAW AND LOCAL CODES. THE CONTRACTOR SHALL COMPLY WITH ALL STATE, CITY AND LOCAL CODES PERTAINING TO THE CONSTRUCTION OF THIS PROJECT.

202 Gannett Drive  
South Portland, ME  
800 639-1801

**PATTERSON  
DENTAL**

Designed by  
L Schmidt

DENTAL OFFICE BUILDING  
DR M BUFO  
612 BRIGHTON AVE  
PORTLAND MAINE

DATE: AUGUST 2, 2013	SCALE: 1/4" = 1'-0"
REVISED	DATE:

SHEET NO.

**D2**

2 of 6

**PATTERSON  
DENTAL**  
L Schmidt

BUFO D2  
Demo and new  
partitions layout plan