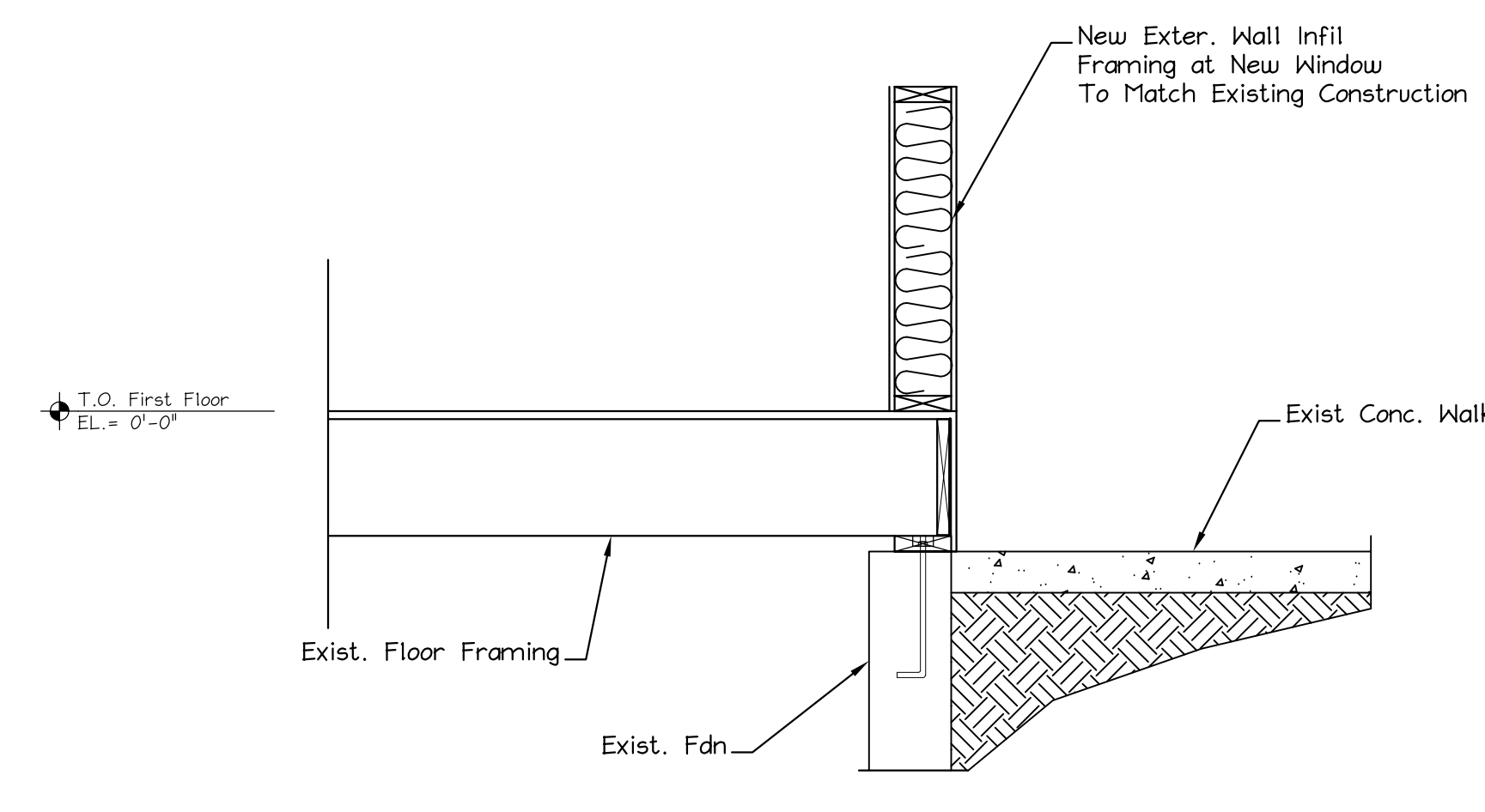
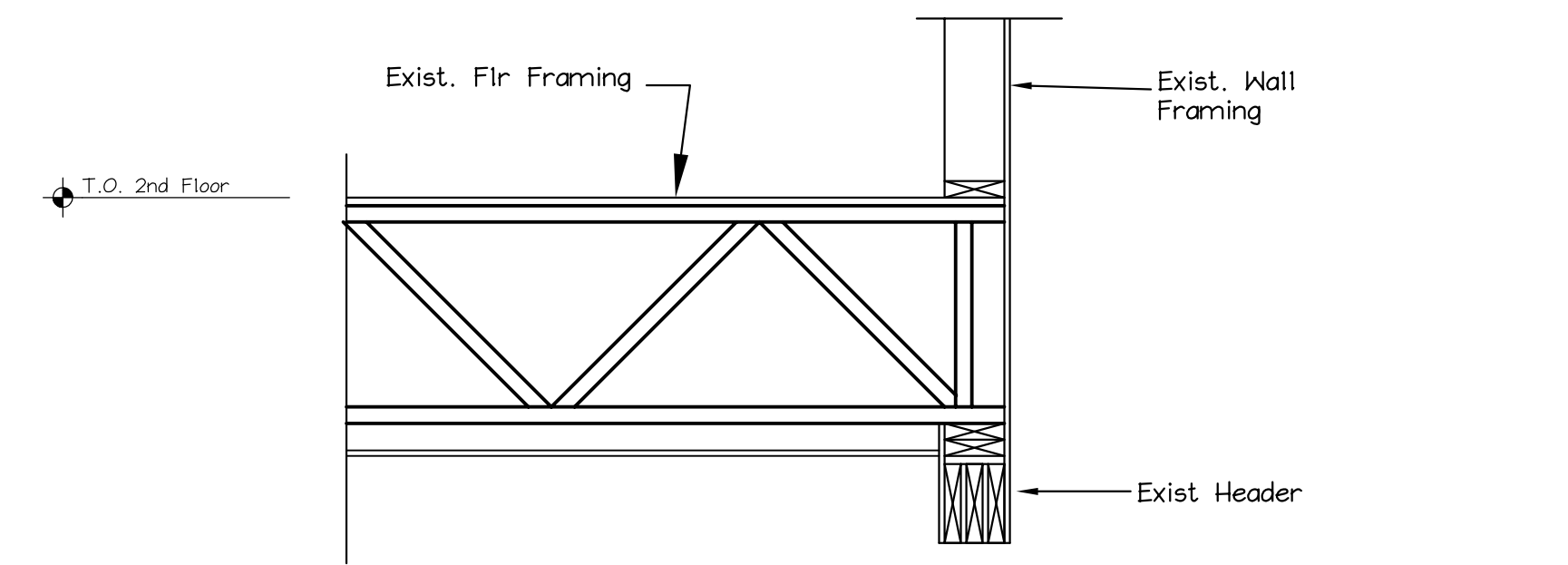


SECTION 1 WALL SECTION
Scale: 3/4" = 1'-0"
A3 AT RELOCATED DOOR



SECTION 2 WALL SECTION
Scale: 3/4" = 1'-0"
A3 AT NEW WINDOW

MacLeod Structural Engineers, PA		
404 Main Street	Corham, Maine 04038	207.839.0980
DR. BUFO DENTIST OFFICE RENOVATIONS 812 BRIGHTON AVE. PORTLAND, MAINE		
TITLE: WALL SECTIONS		
DATE: 9/04/13	DRAWN BY: BIM	DRAWING NUMBER:
SCALE: as noted	PROJ NO: 2013-226	A-3