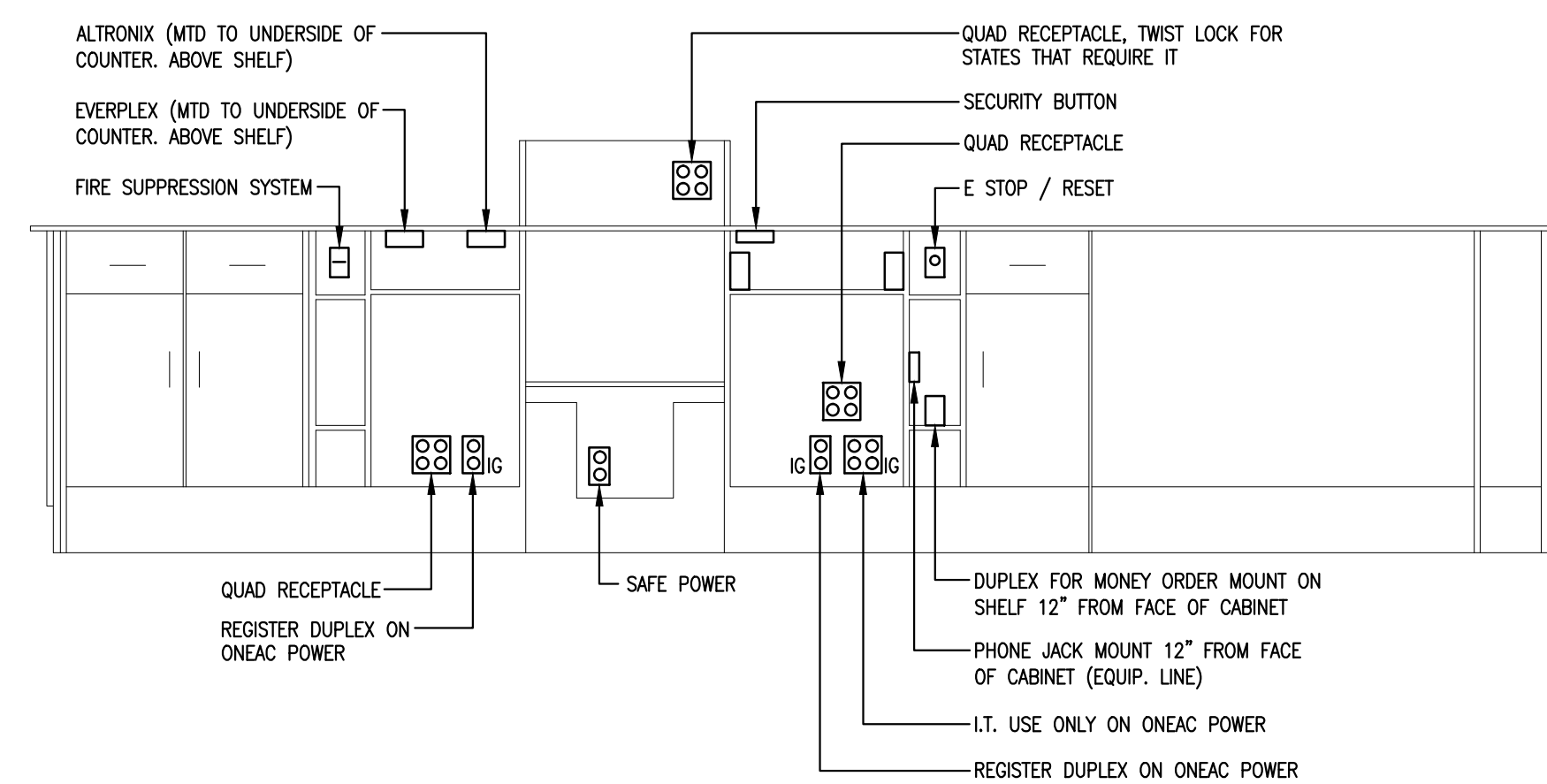
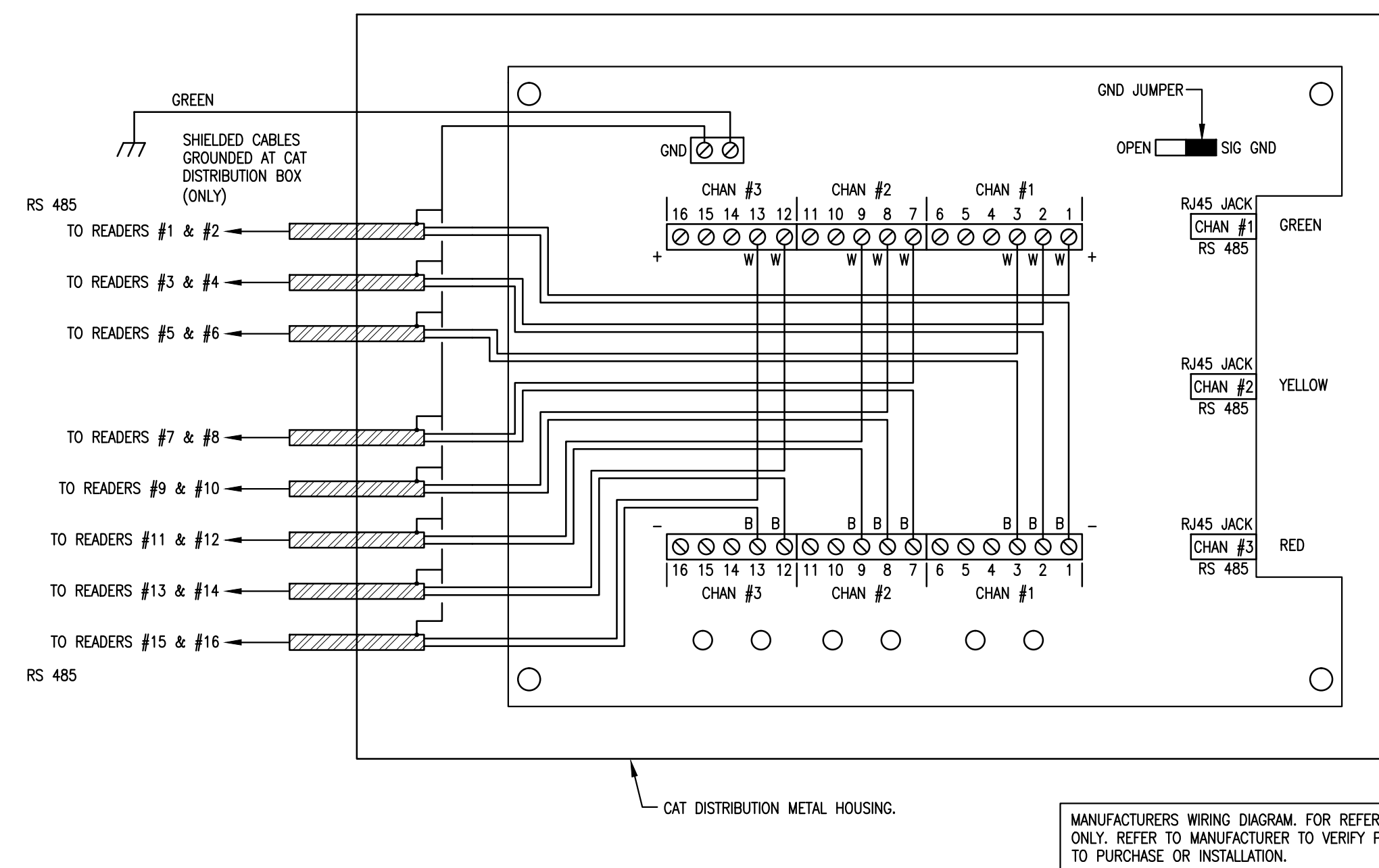


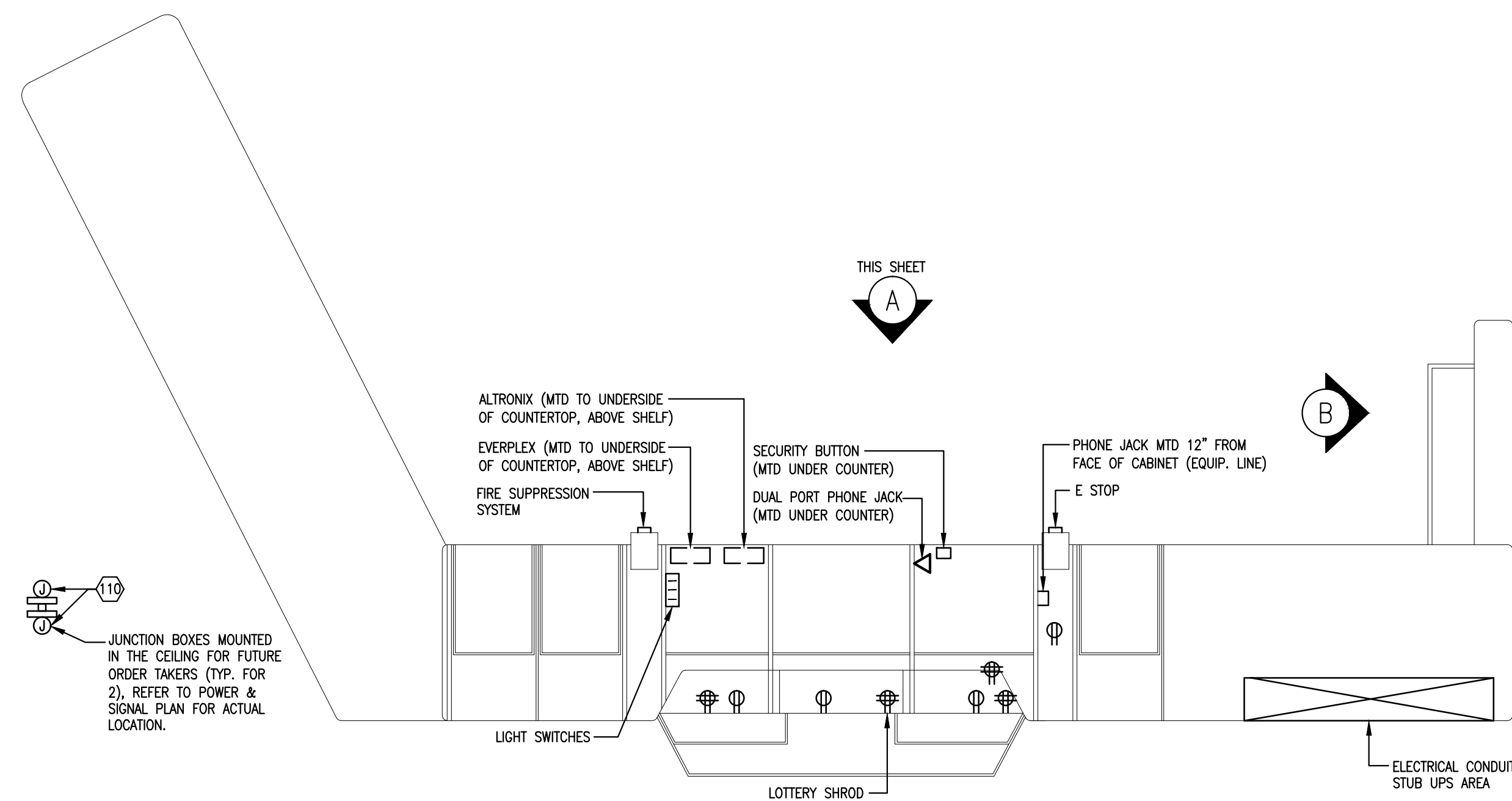
No.	Date	Issued for
11/22/13		90% Review Set
01/24/14		Bid and Permit



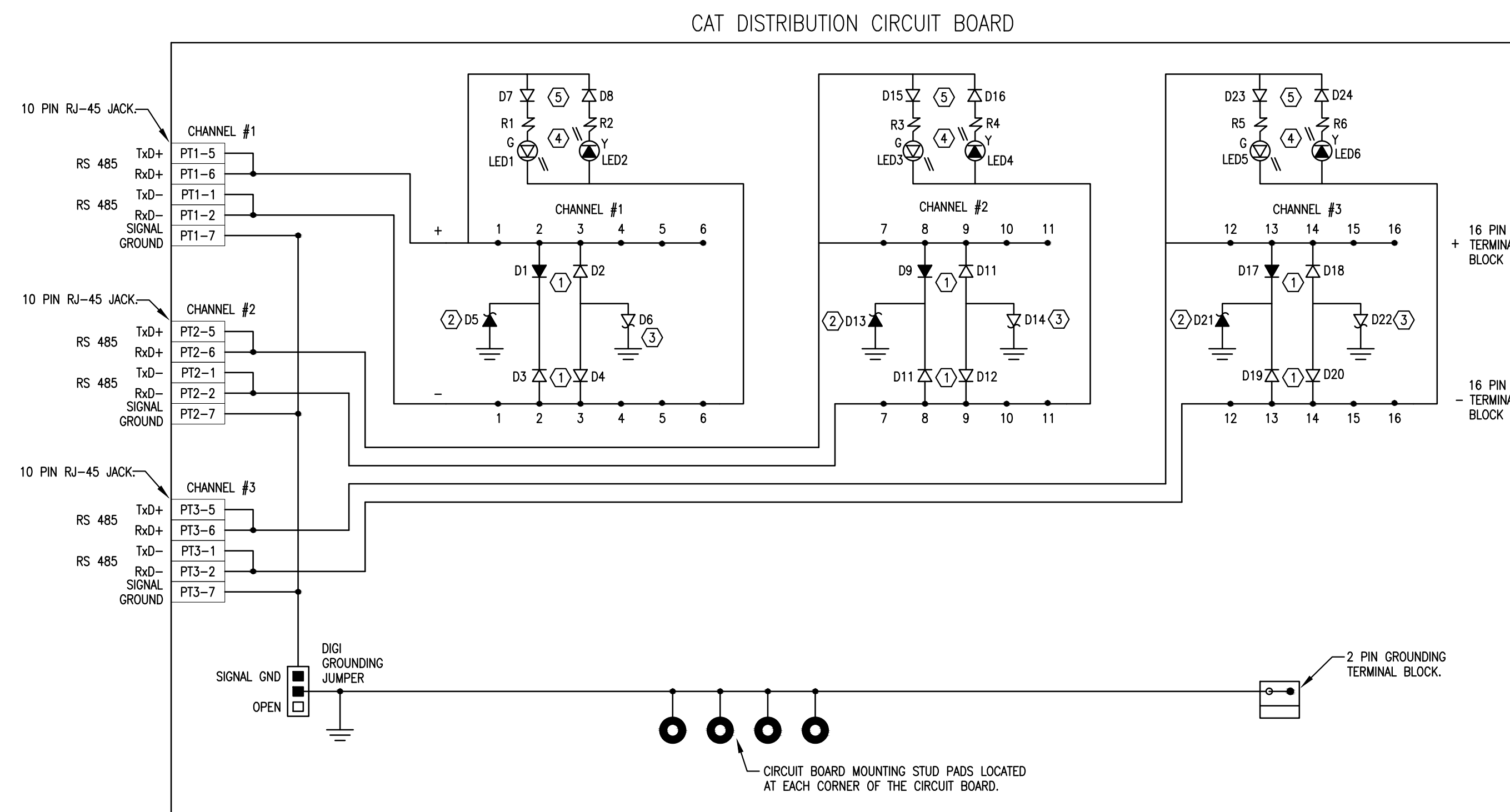
2 ELECTRICAL - CHECKOUT COUNTER ELEVATION "A" - POWER PLAN
SCALE: N.T.S.



3 READER TO CAT DISTRIBUTION HOOK UP RETALIX POS SYSTEM
SCALE: N.T.S.



1 ELECTRICAL - TYPICAL CHECKOUT COUNTER - POWER PLAN
SCALE: N.T.S.



4 CAT DISTRIBUTION CIRCUIT BOARD FOR DIGI/B&B FUEL INTERFACE
SCALE: N.T.S.

MANUFACTURERS WIRING DIAGRAM, FOR REFERENCE ONLY. REFER TO MANUFACTURER TO VERIFY PRIOR TO PURCHASE OR INSTALLATION.

KEYNOTES NOTES:

- ① DIODES, IN4004 = D1, D2, D3, D4, D9, D10, D11, D12, D17, D18, D19, D20.
- ② 12VOLT TRANSIENT VOLTAGE SUPPRESSORS, P6KE12A = D5, D13, D21.
- ③ 6.8VOLT TRANSIENT VOLTAGE SUPPRESSORS, P6KE6.8A = D6, D14, D22.
- ④ GREEN LED, HLMP1790-ND OR EQUIV. = LED1, LED3, LED5.
YELLOW LED, HLMP1791-ND OR EQUIV. = LED2, LED4, LED6.
- ⑤ DIODES, SCHOTTKY IN5817DICT-ND = D7, D8, D15, D16, D23, D24.
- ⑥ ALL RESISTORS ARE 1/4 WATT, CARBON, 10% OR BETTER & 100 OHMS.