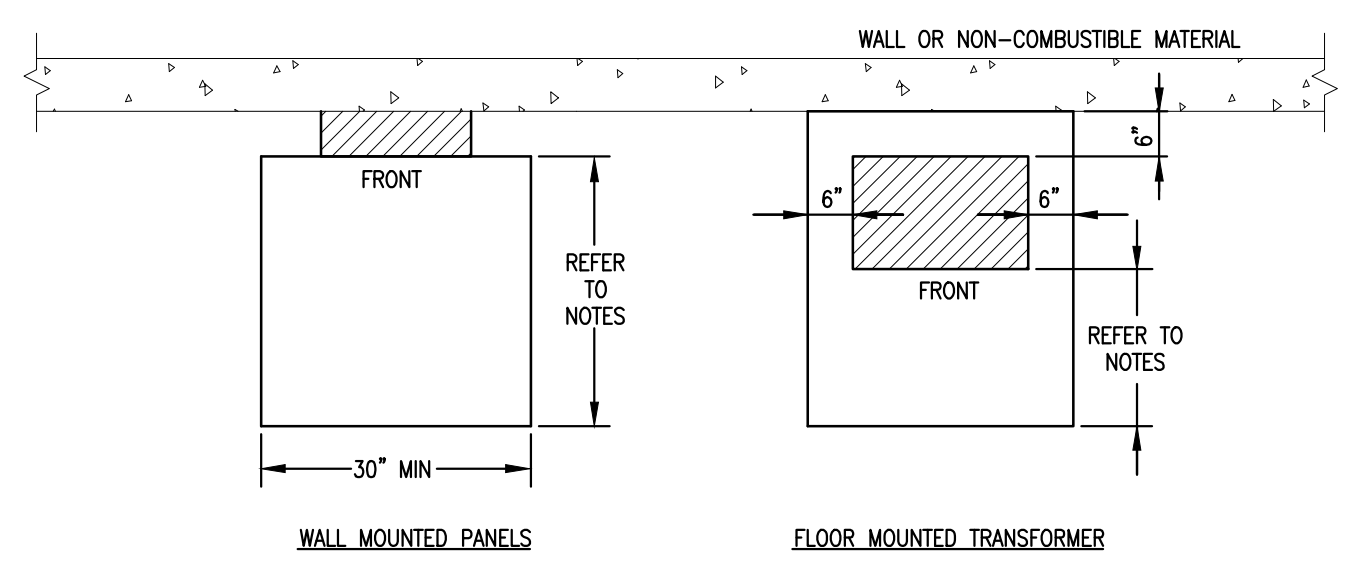


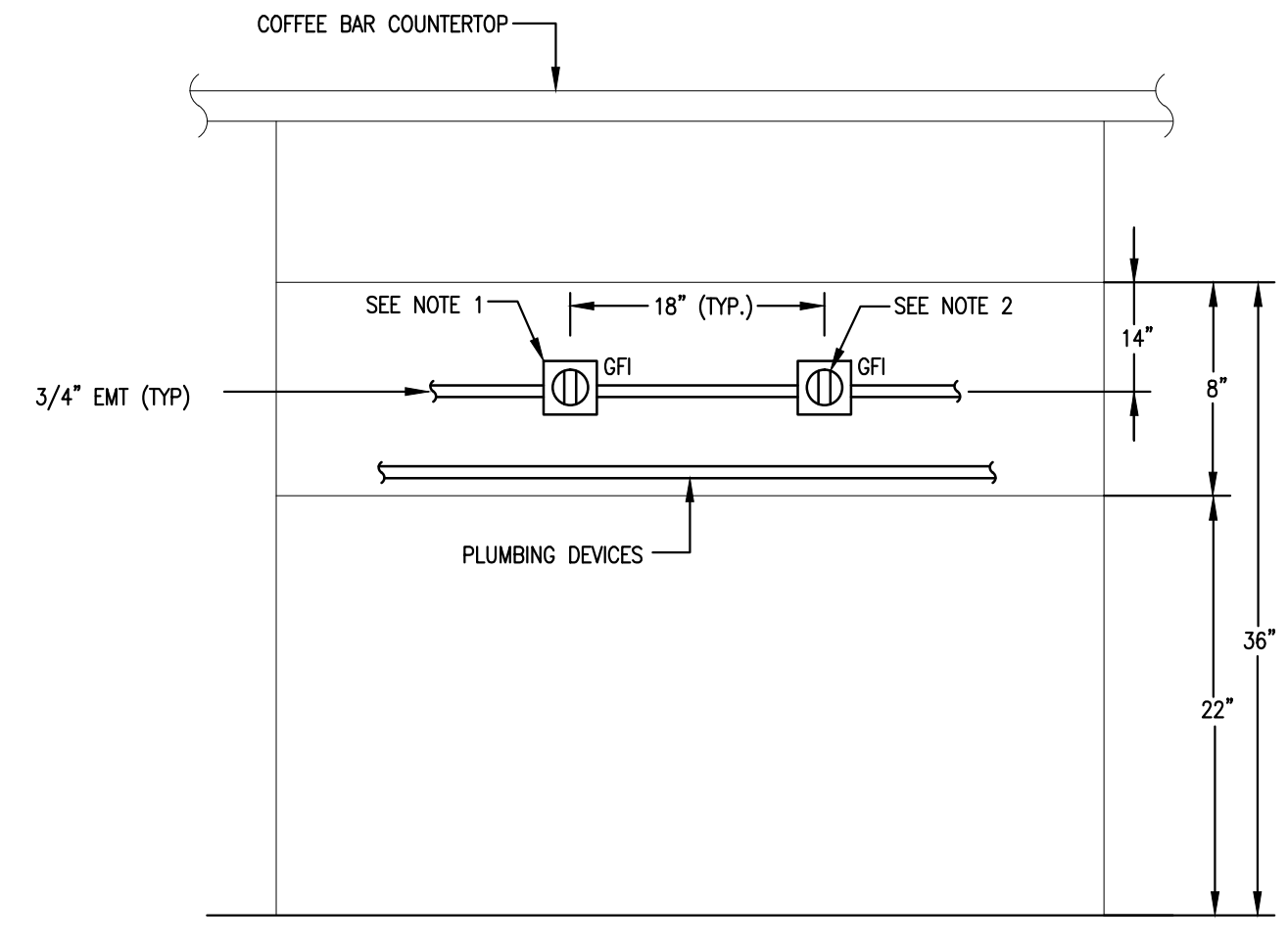
- NOTES:**
1. ALL TELEPHONE SYSTEM WIRING SHALL BE BY THE TELEPHONE COMPANY.
 2. REFER TO FLOOR PLANS FOR EXACT LOCATIONS AND QUANTITIES OF ALL TELEPHONE OUTLETS.
 3. PROVIDE NYLON PULL CORD IN ALL EMPTY CONDUITS.

13 TELEPHONE SYSTEM RISER DETAIL
SCALE: N.T.S.



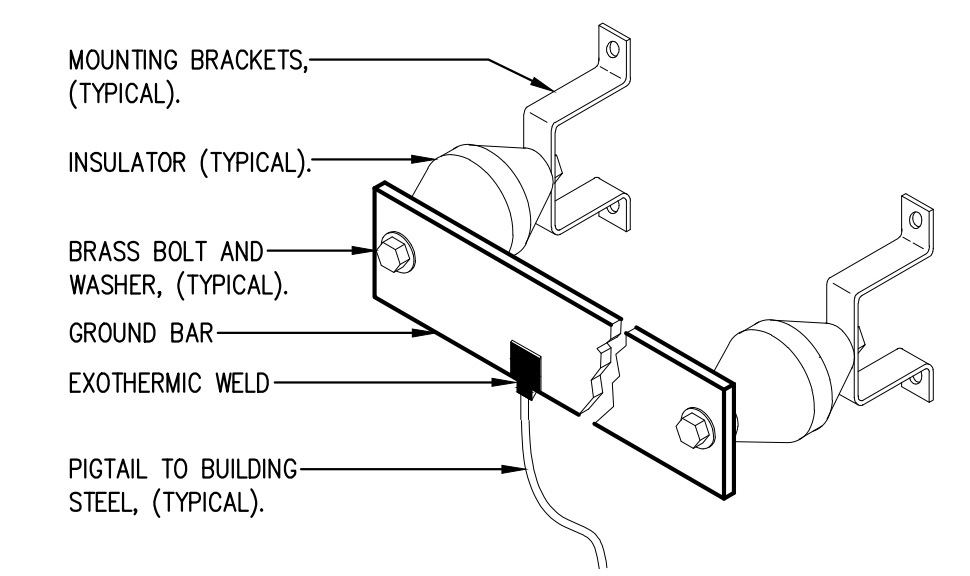
- * MINIMUM WORKING CLEARANCE (IN THE DIRECTION OF ACCESS TO LIVE PARTS) AS REQUIRED BY NEC 110-16(c), CONDITION 2 :
- 3' FOR 0-150 VOLT TO GROUND ELECTRIC EQUIPMENT
 - 3-1/2' FOR 150-600 VOLT TO GROUND ELECTRIC EQUIPMENT
- THE MINIMUM HEADROOM OF WORKING SPACE SHALL BE 6-1/2'
- PANELS INCLUDE: POWER PANELS, CONTACTORS, CONTROL CABINETS, DISCONNECT SWITCHES, MOTOR STARTERS, TIME CLOCK AND SIMILAR ELECTRIC EQUIPMENT.

14 CLEARANCES FOR ELECTRIC EQUIPMENT DETAIL
SCALE: N.T.S.



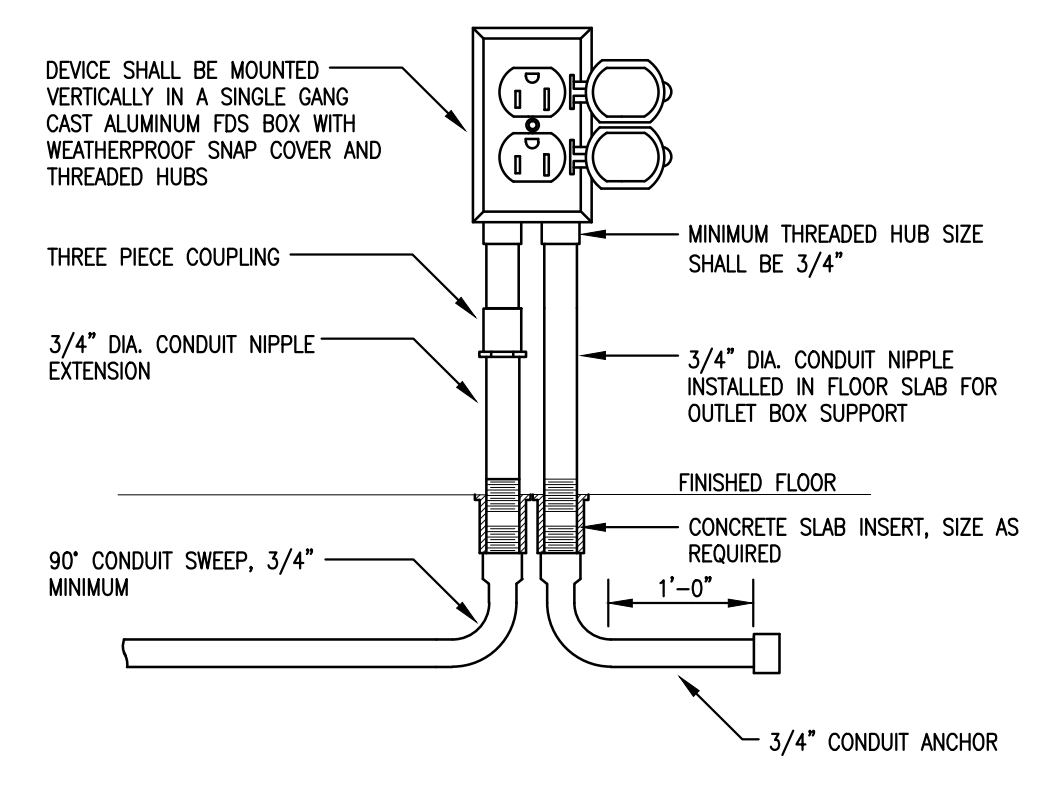
- NOTES:**
1. 4" SQUARE SURFACE MOUNTED METAL BOX, (TYPICAL).
 2. SINGLE NEMA 5-20R RECEPTACLE, (TYPICAL).

15 COFFEE BAR ELECTRICAL DEVICE LOCATION
SCALE: N.T.S.



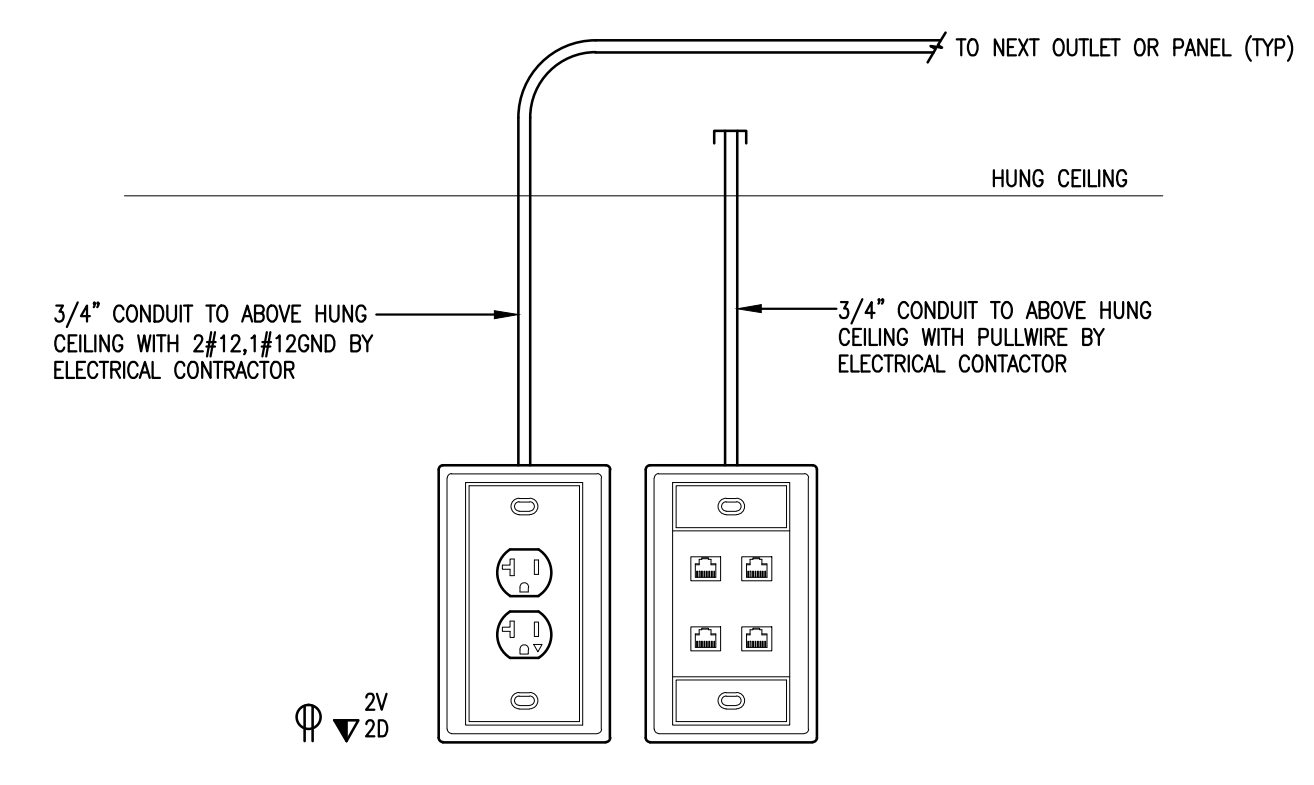
- NOTES:**
1. PROVIDE GROUND BAR (1/4" X 4" X 12") WITH WALL MOUNTING BRACKETS, INSULATORS AND A 25' EXOTHERMICALLY WELDED PIGTAIL (#8 AWG) IN EACH LAN ROOM & COMMUNICATIONS ROOM.
 2. MOUNT GROUND BAR AT THE BOTTOM RIGHT CORNER ON THE PLYWOOD BACKBOARD.
 3. GROUND BARS SHALL HAVE CAPACITY FOR NINE (9) GROUNDING LUGS TO BE ATTACHED.
 4. CONNECT EXOTHERMICALLY WELDED PIGTAIL TO BUILDING STEEL.
 5. GROUND BARS SHALL BE ELECTROLYTIC COPPER AND SHALL BE MOUNTED ON INSULATORS RATED AT 2700 VOLTS.
 6. COPPER SURFACES SHALL BE SMOOTH AND WITHOUT MARKS DEEPER THAN 0.010 INCHES.
 7. MANUFACTURERS SHALL BE ERICO, HARGER OR APPROVED EQUAL.

16 TYPICAL GROUND BAR DETAIL
SCALE: N.T.S.

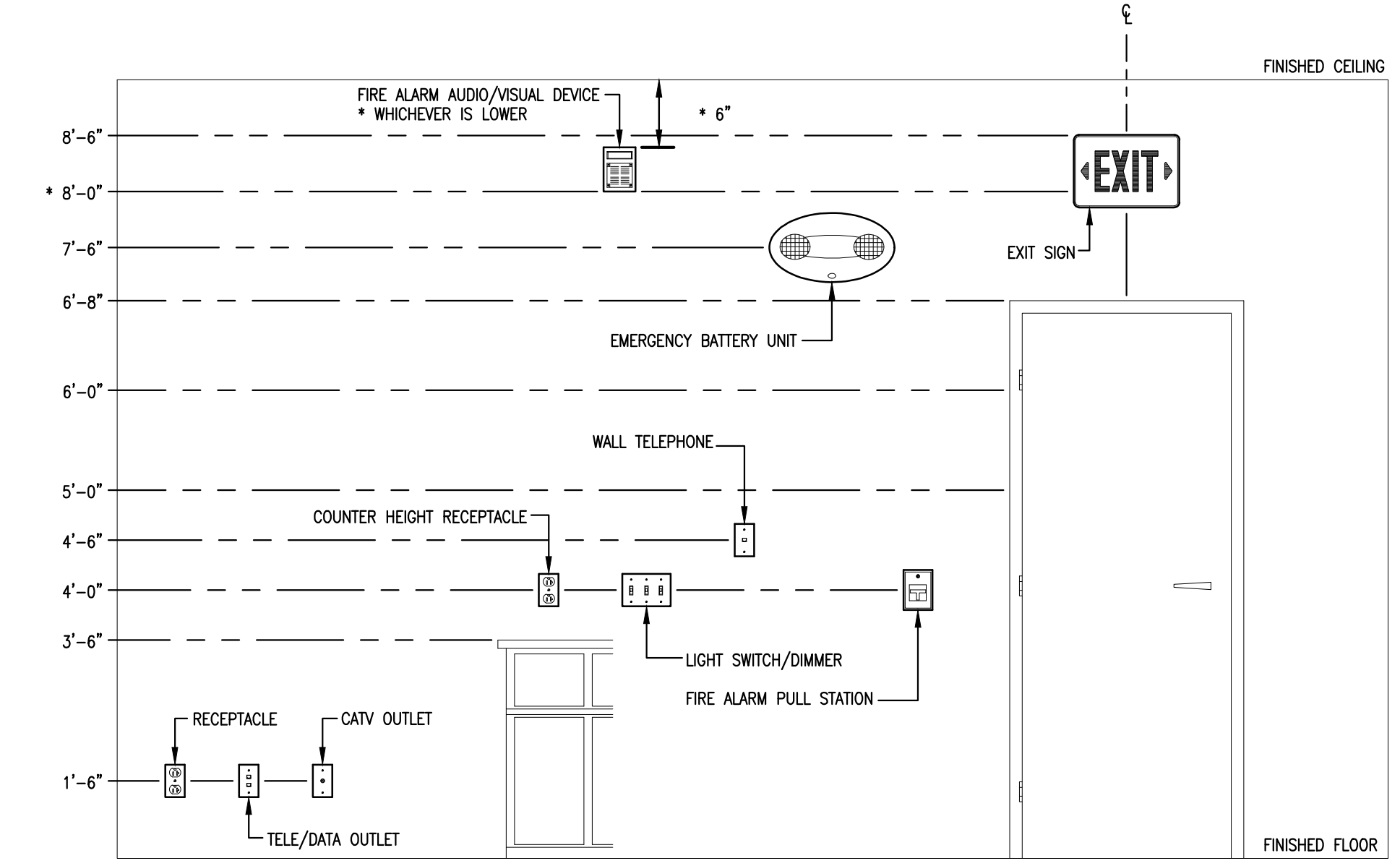


- NOTES:**
1. ADAPT CONDUIT NIPPLE EXTENSION TO FLEXIBLE LIQUID-TIGHT AS REQUIRED FOR POWER CONNECTION TO EQUIPMENT. REFER TO SPECIFICATIONS.
 2. DUPLEX RECEPTACLE INDICATED, SINGLE DEVICE, HEAVY DUTY RECEPTACLE OR JUNCTION BOX REQUIRED.
 3. EXACT MOUNTING HEIGHT SHALL BE VERIFIED WHERE LOCATIONS OCCUR BELOW KITCHEN EQUIPMENT.

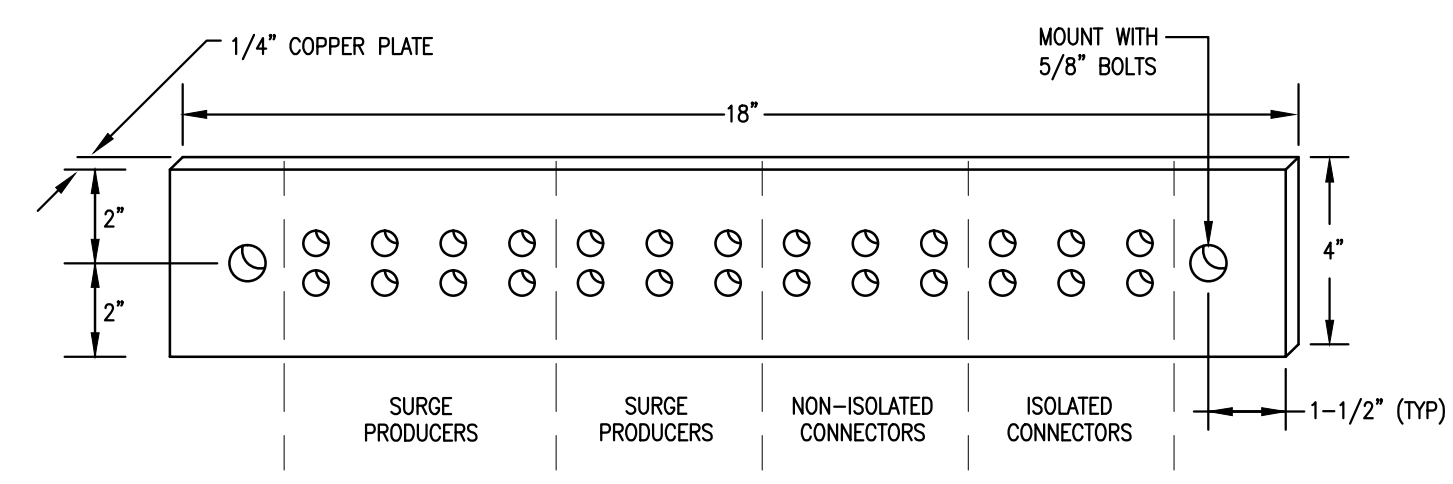
17 PEDESTAL DEVICE DETAIL
SCALE: N.T.S.



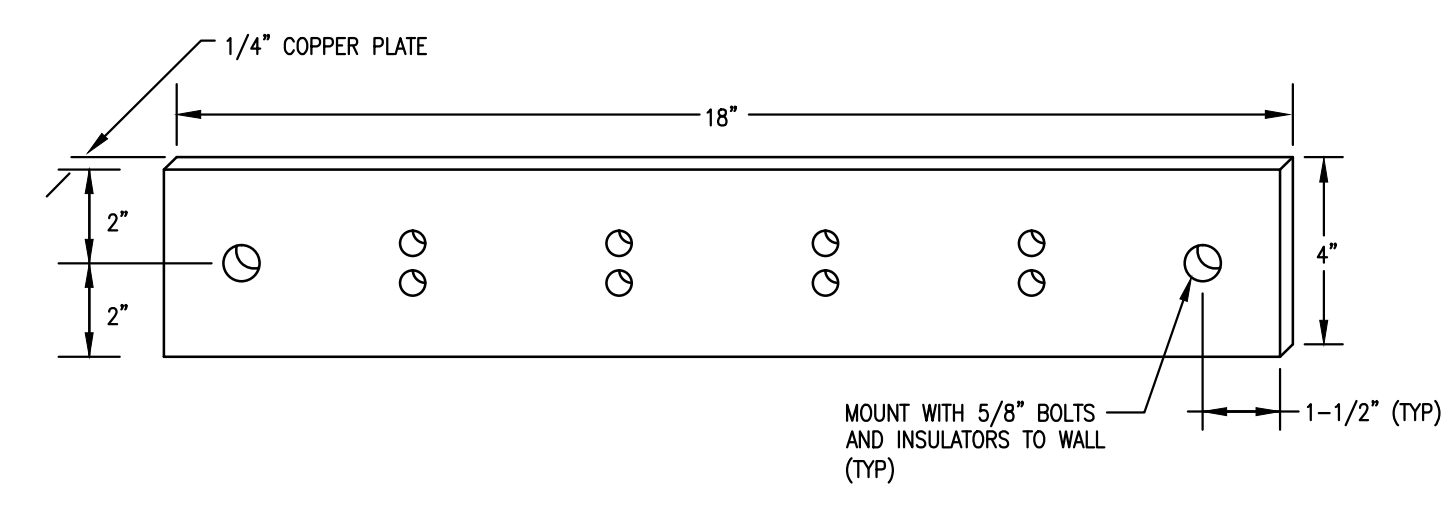
18 TYPICAL ATM STATION DETAIL
SCALE: N.T.S.



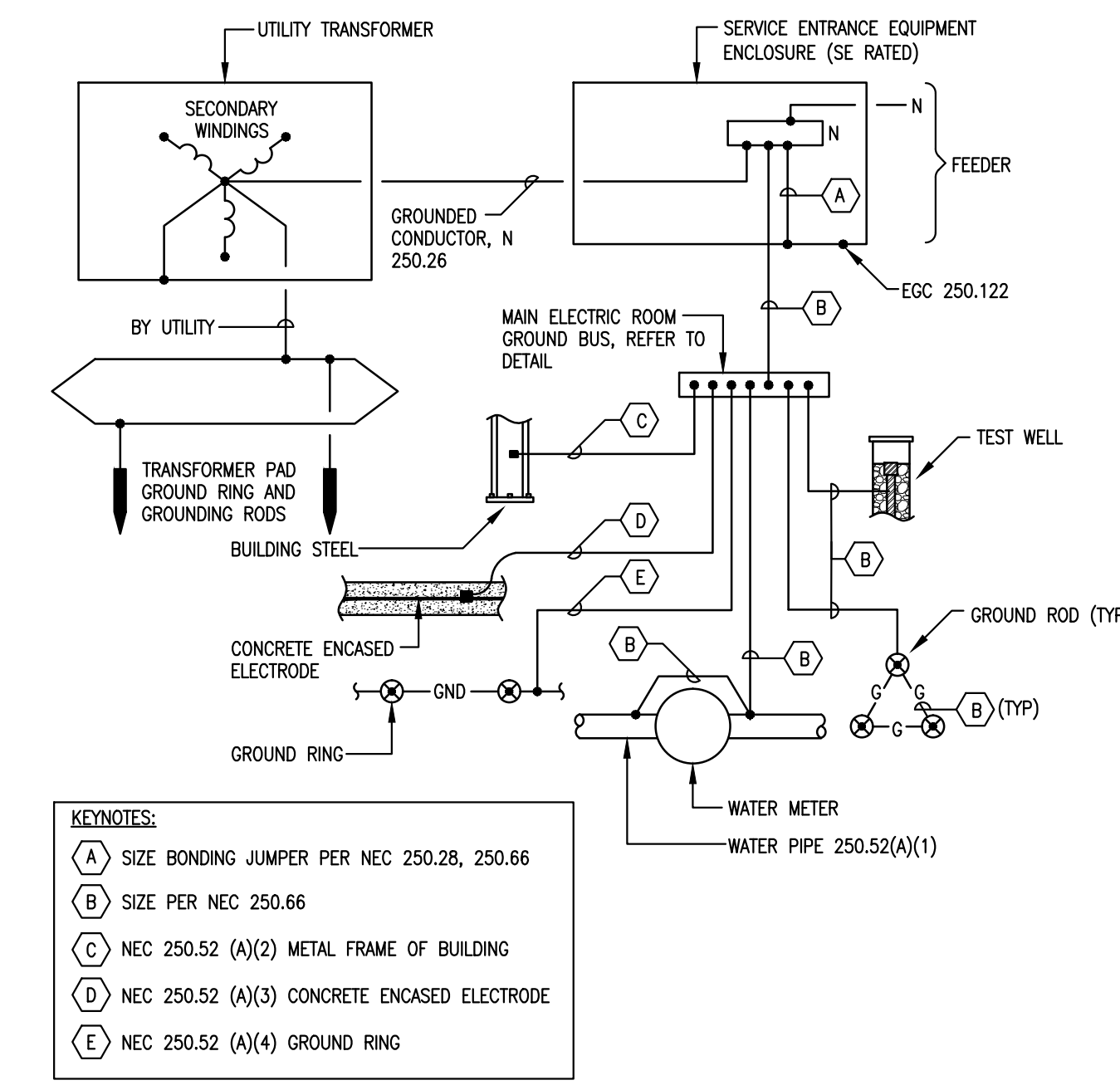
19 DEVICE MOUNTING HEIGHT DETAIL
SCALE: N.T.S.



20 MASTER GROUND BAR DETAIL
SCALE: N.T.S.

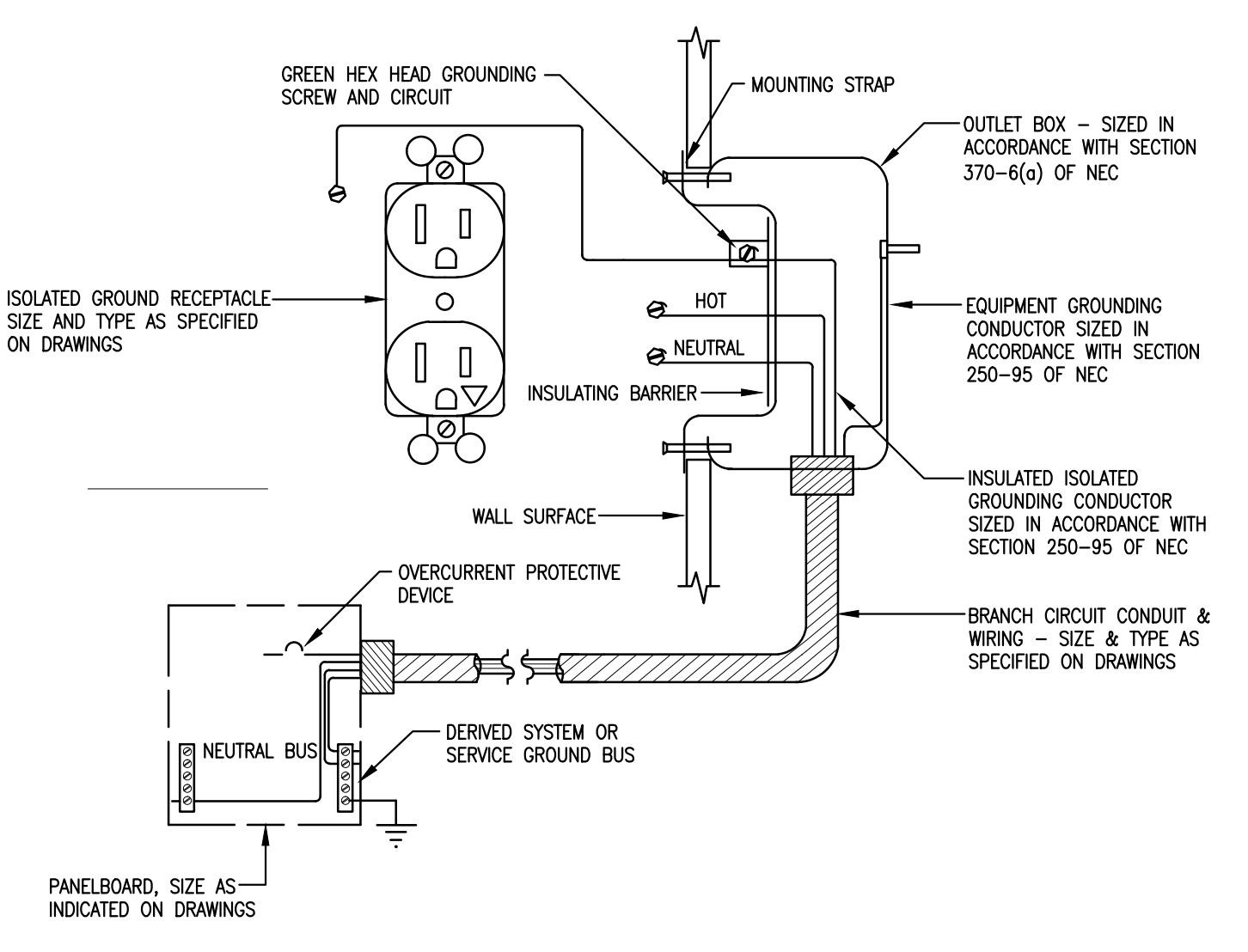


21 TELE/DATA ELECTRICAL GROUND BUS DETAIL
SCALE: N.T.S.

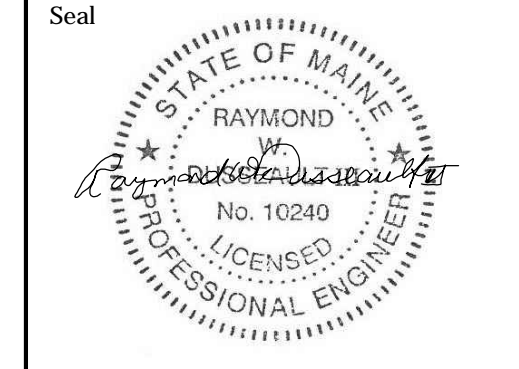


- KEYNOTES:**
- (A) SIZE BONDING JUMPER PER NEC 250.28, 250.66
 - (B) SIZE PER NEC 250.66
 - (C) NEC 250.52 (A)(2) METAL FRAME OF BUILDING
 - (D) NEC 250.52 (A)(3) CONCRETE ENCASED ELECTRODE
 - (E) NEC 250.52 (A)(4) GROUND RING

22 UTILITY SERVICE ENTRANCE GROUNDING DETAIL
SCALE: N.T.S.



23 ISOLATED GROUND RECEPTACLE WIRING DETAIL
SCALE: N.T.S.



Revisions

No.	Date	Issued for
11/22/13		90% Review Set
01/24/14		Bid and Permit

Key Plan