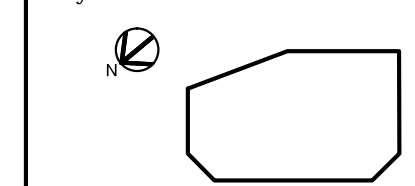
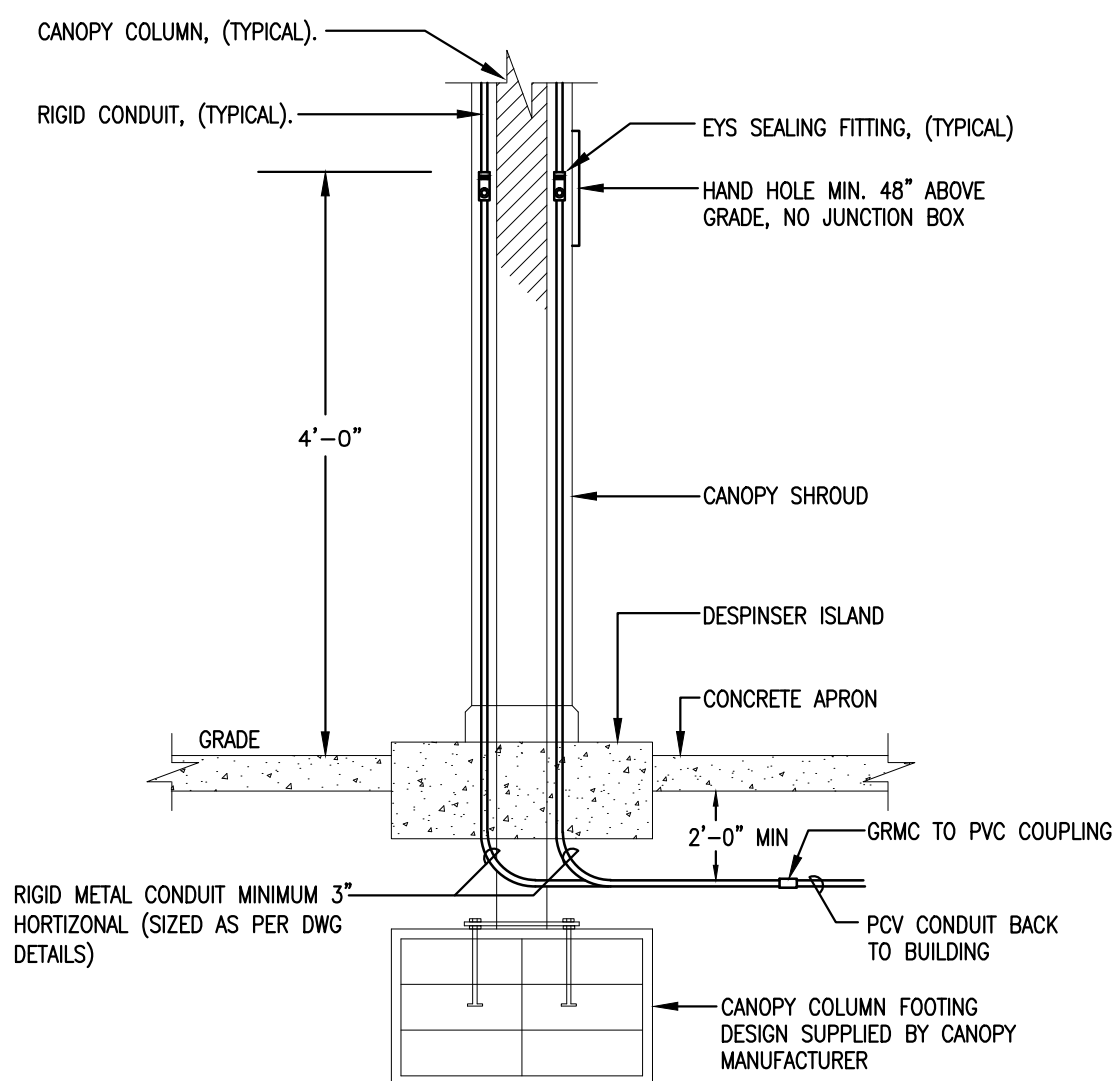


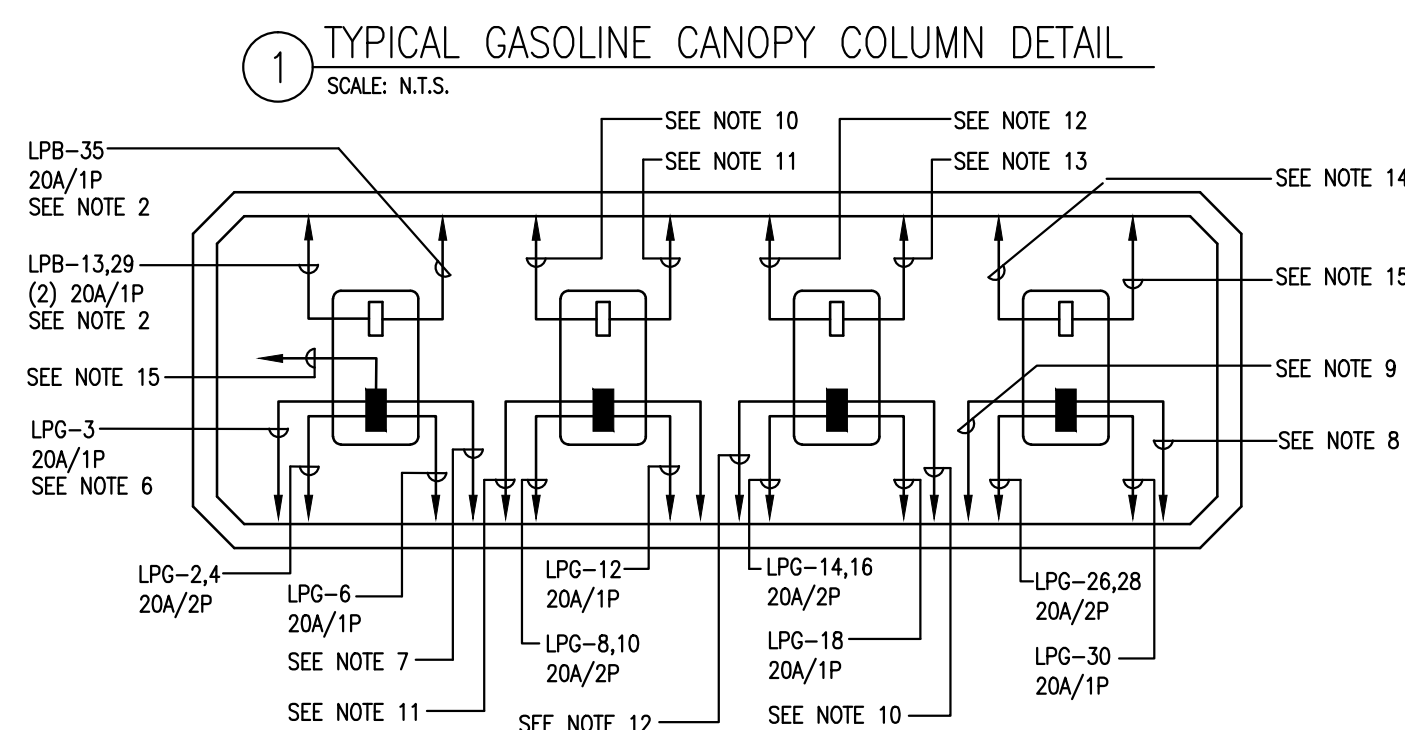
No.	Date	Issued for
11/22/13	90% Review Set	
11/24/14	Bid and Permit	



IMPORTANT NOTES:
ALL EXISTING CANOPY ELECTRICAL EQUIPMENT AND GAS DISPENSERS AND CONTROLS TO REMAIN. E.C. SHALL THE EXISTING CIRCUITRY AND CONTROLS INTO NEW "CPI" PANELS AND CONTROL EQUIPMENT. VERIFY WIRING WITH MANUFACTURER, TYPICAL.

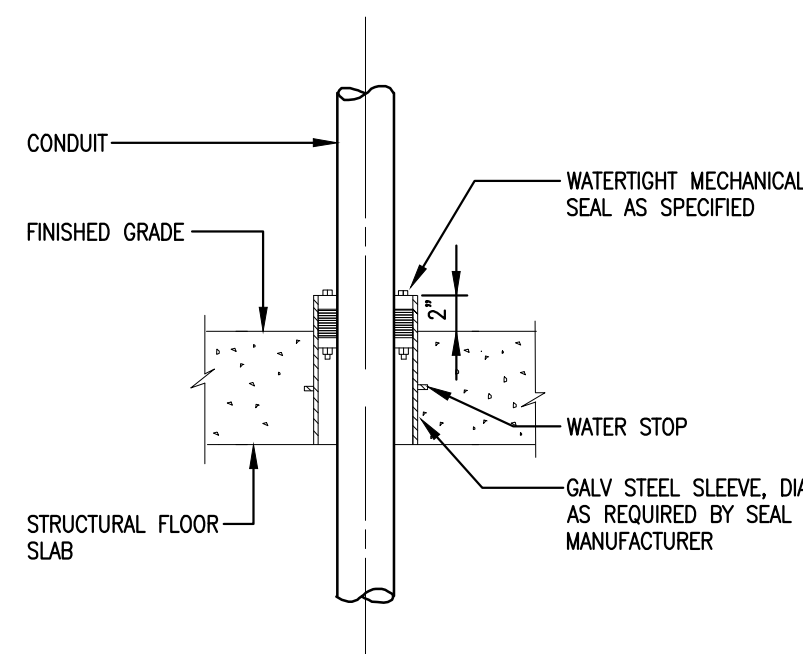


NOTES:
1. E.C. TO PROVIDE GROUNDING IN ACCORDANCE WITH N.E.C. REQUIREMENTS.

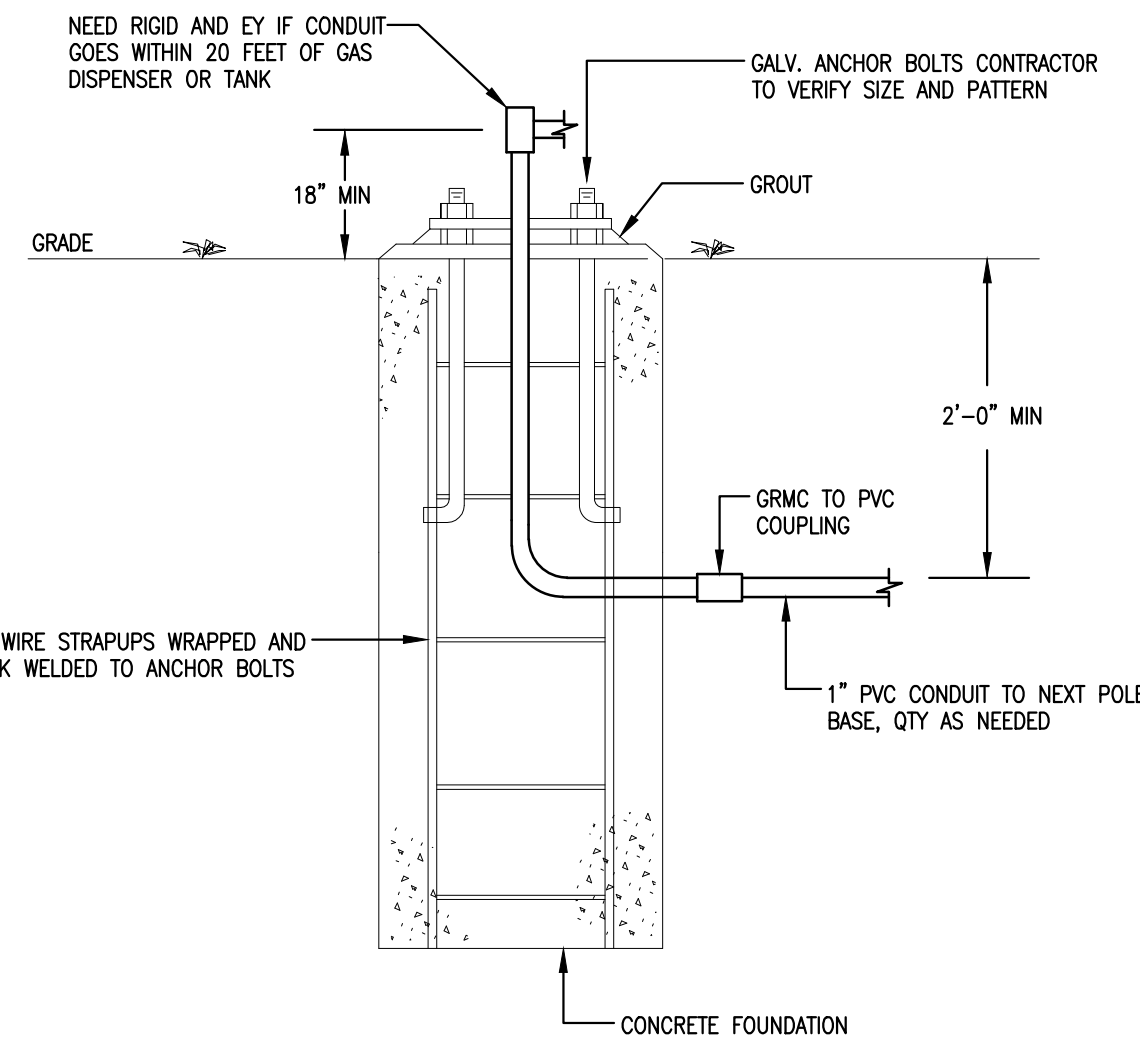


- NOTES:**
- ALL CONDUITS SHALL ORIGINATE FROM THE RESPECTIVE LOCATIONS. COORDINATE WITH OWNER PRIOR TO START INSTALLATION, (TYPICAL FOR ALL).
 - 1" GRMC WITH SEAL FITTINGS; (3)#10 & (1)#10GND FOR LIGHTING CIRCUITS AND SIGN, TYPICAL.
 - 1-1/4" GRMC WITH SEAL FITTINGS, FOR SAT. DATA (RG-1) TO ELECTRIC ROOM DATA LOCATION.
 - (2) 1" GRMC WITH SEAL FITTINGS, SPARE TO CPI IN ELECTRIC ROOM.
 - (2) 1 1/4" GRMC WITH SEAL FITTINGS, FOR CCTV (COAX CABLE RG59 4#22 NON-SHEILDLED) TO UTILITY ROOM.
 - 1" GRMC WITH SEAL FITTINGS HEAT DETECTOR, TYPICAL.
 - 1 1/4" GRMC WITH SEAL FITTINGS, FS COPPER TO FIRE SUPPRESSION SYSTEM IN ELECTRIC ROOM, TYPICAL.
 - 3/4" GRMC WITH SEAL FITTINGS: SPARE TO OFFICE.
 - 3/4" GRMC WITH SEAL FITTINGS: SPARE TO ELECTRIC ROOM
 - 3/4" GRMC WITH SEAL FITTINGS: DATA TO CHECK-OUT COUNTER.
 - 3/4" GRMC WITH SEAL FITTINGS: FOR DISPENSER POWER.
 - 3/4" GRMC WITH SEAL FITTINGS: FOR INTERCOM.
 - 3/4" GRMC WITH SEAL FITTINGS: NITRO TO CHECKOUT COUNTER.
 - (2) 1" GRMC WITH SEAL FITTINGS, FOR CCTV (COAX CABLE RG59 4#22 NON-SHEILDLED) TO CHECKOUT COUNTER.

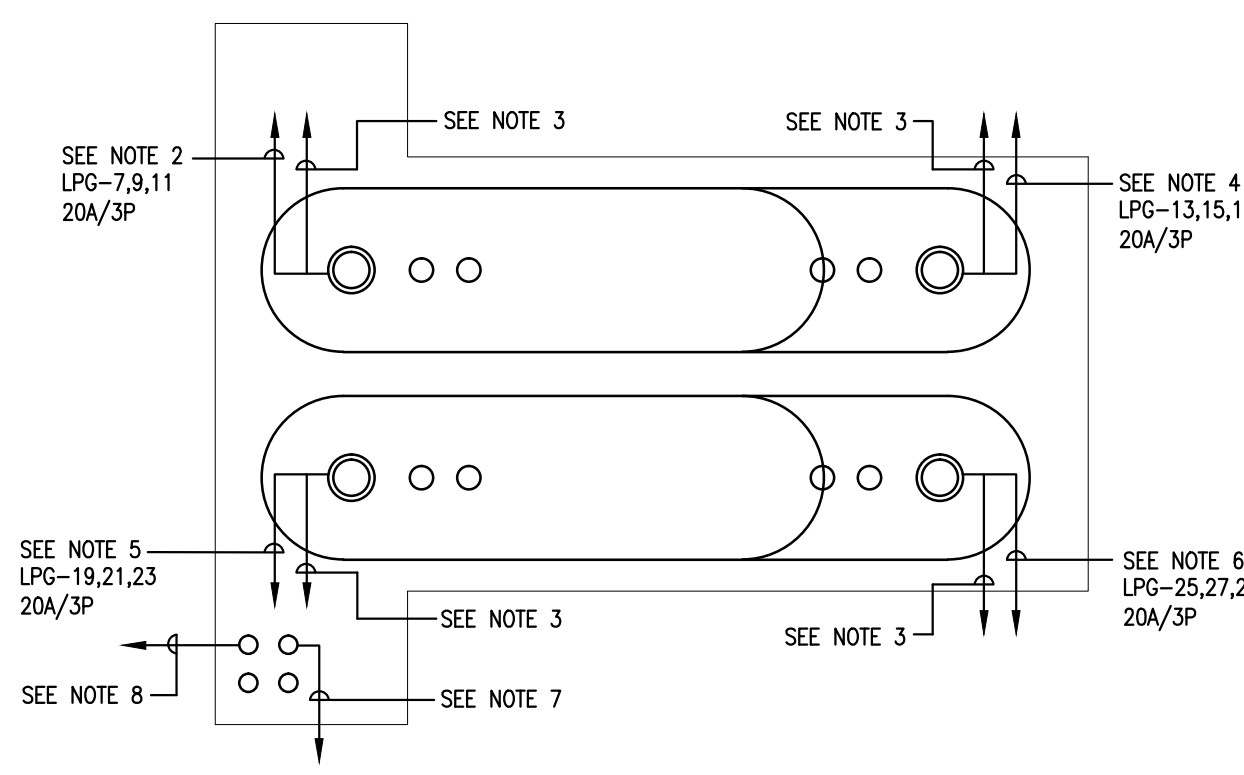
5 UNDER CANOPY POWER PART PLAN
SCALE: N.T.S.



9 CONDUIT PENETRATION DETAIL
SCALE: N.T.S.

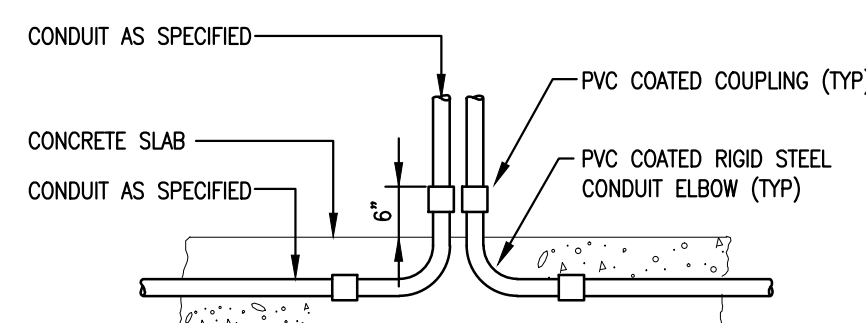


2 SITE LIGHTING POLE BASE DETAIL
SCALE: N.T.S.

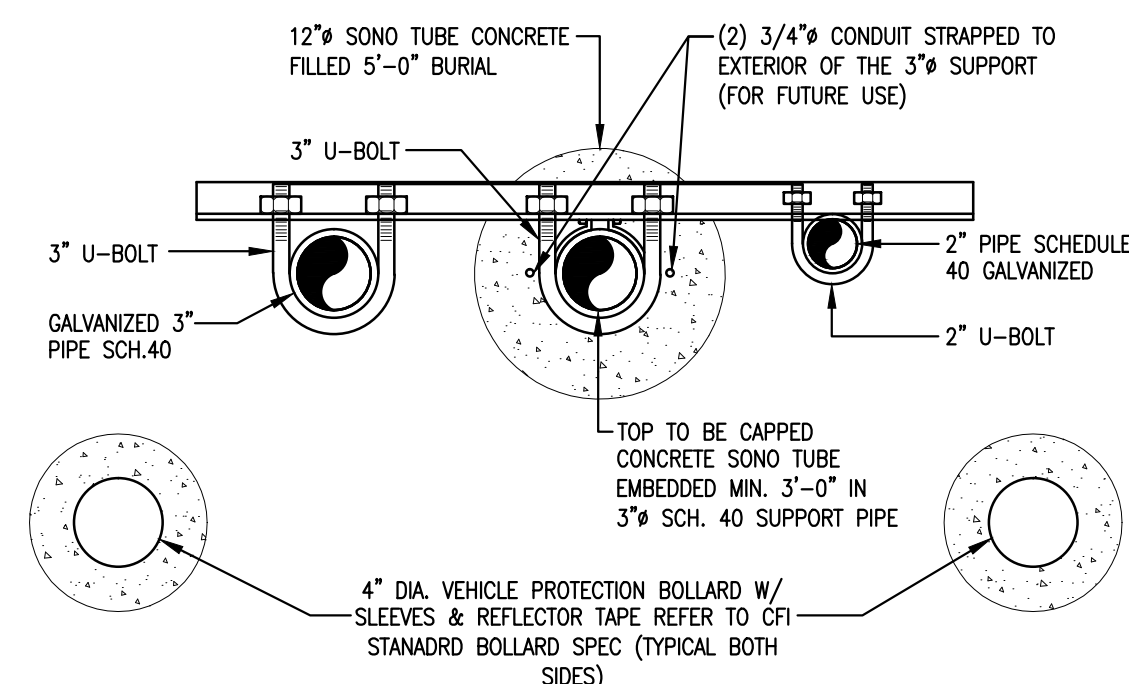


- NOTES:**
- ALL CONDUITS SHALL ORIGINATE FROM THE RESPECTIVE LOCATIONS IN UTILITY ROOM. COORDINATE WITH OWNER PRIOR TO START CONSTRUCTION, (TYPICAL).
 - 1" GRMC (3)#10 & (1)#10GND TO ELECTRIC ROOM, FOR SUBMERSIBLE PUMP #1.
 - 3/4" GRMC 4/C#10 WITH SEAL FITTINGS, INTRINSICALLY SAFE TANK DATA TO UTILITY ROOM.
 - 1" GRMC (3)#10 & (1)#10GND TO ELECTRIC ROOM, FOR SUBMERSIBLE PUMP #2.
 - 1" GRMC (3)#10 & (1)#10GND TO ELECTRIC ROOM, FOR SUBMERSIBLE PUMP #3.
 - 1" GRMC (3)#10 & (1)#10GND TO ELECTRIC ROOM, FOR SUBMERSIBLE PUMP #4.
 - 3/4" GRMC WITH SEAL FITTINGS, FOR FUTURE VENT RISER TO VEEDER ROOT.
 - 3/4" GRMC WITH SEAL FITTINGS, FOR FUTURE VENT RISER TO ELECTRIC ROOM.

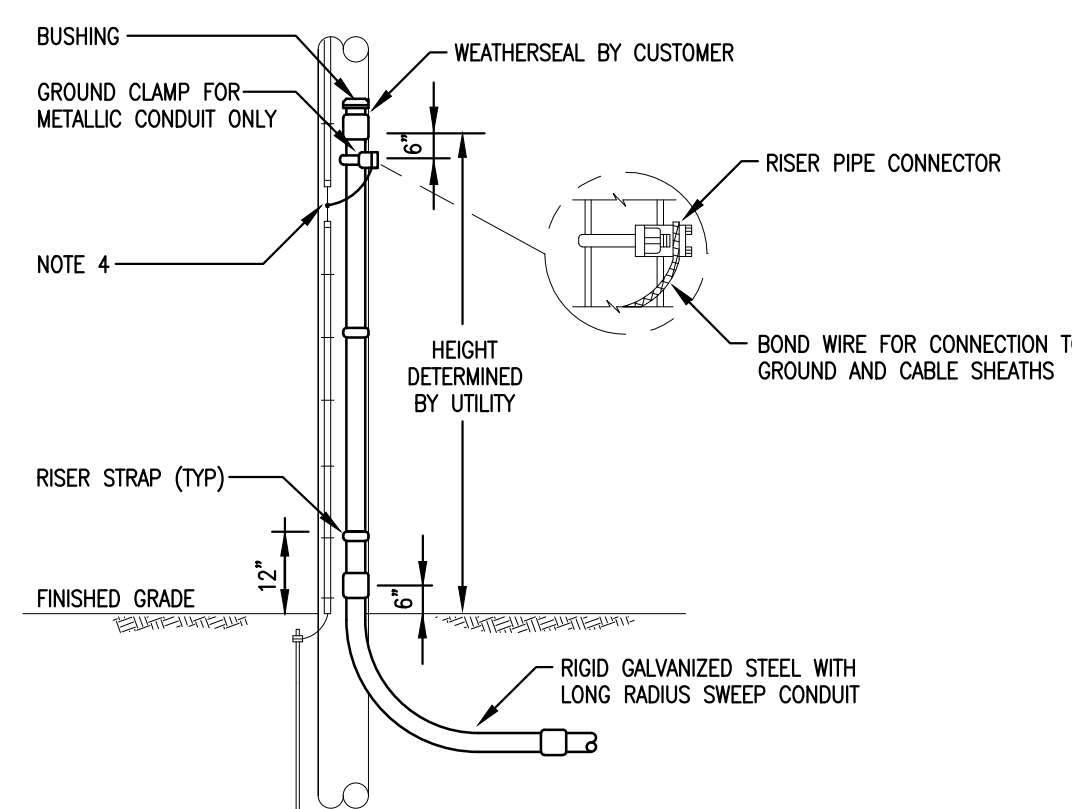
6 FUEL STORAGE PART PLAN
SCALE: N.T.S.



10 CONDUIT STUB-UP DETAIL
SCALE: N.T.S.

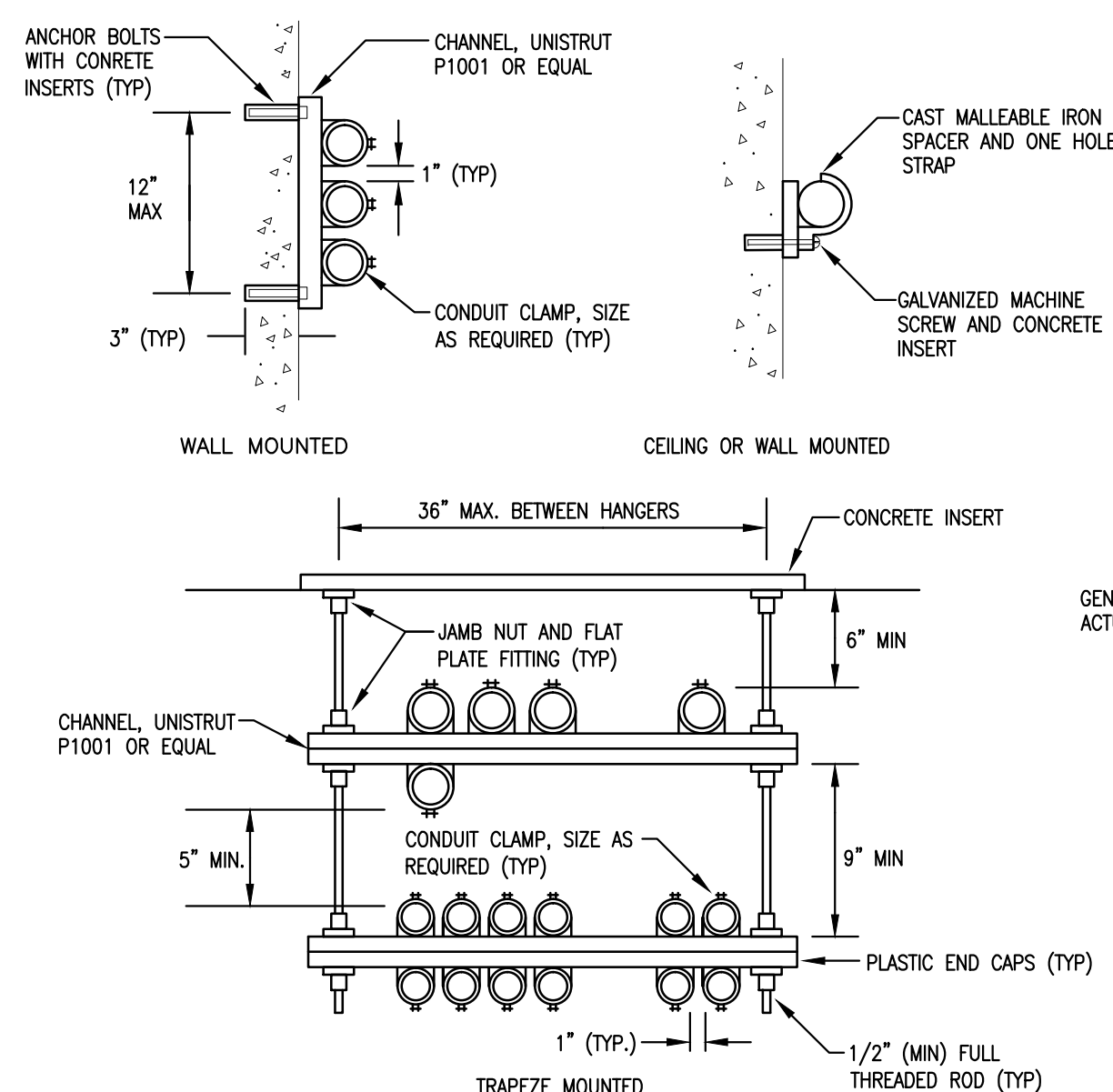


3 VENT STACK BASE DETAIL
SCALE: N.T.S.

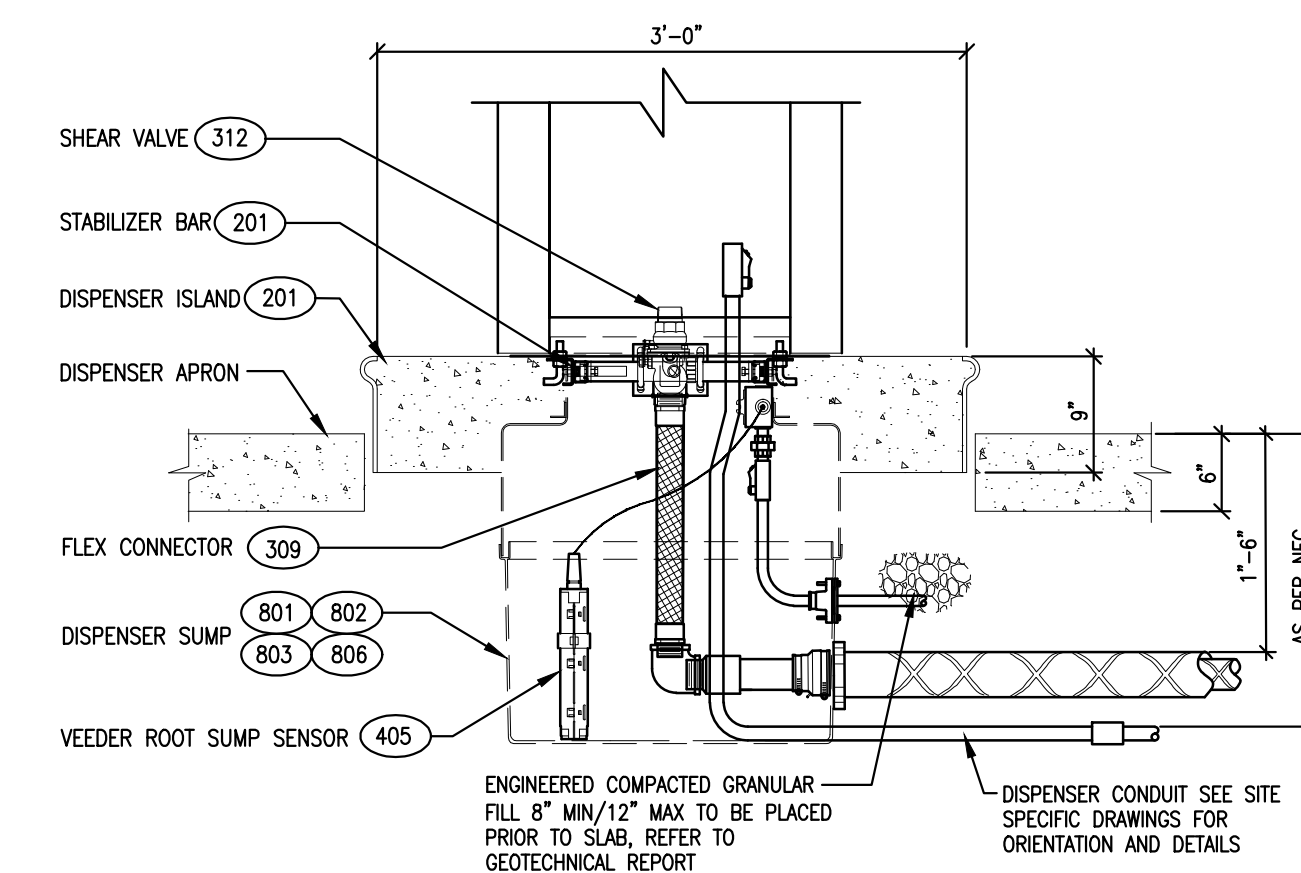


- NOTES:**
- PROVIDE ALL APPURTENANCES REQUIRED BY THE LOCAL UTILITY.
 - RISER CONDUITS SHALL BE LOCATED ON A STREET QUARTER OF POLE AND WHEN POSSIBLE ON THE QUARTER AWAY FROM APPROACHING TRAFFIC.
 - RISER CONDUITS SHOULD NOT BE PLACED ON SAME POLE WITH COMMUNICATION RISER AVAILABLE.
 - GROUND METAL RISER CONDUITS TO ARRESTOR GROUND LEAD IF AVAILABLE. OTHERWISE, INSTALL A DRIVEN GROUND WITH GROUND WIRE AND MOLDING EXTENDING TO TOP OF STEEL CONDUIT.

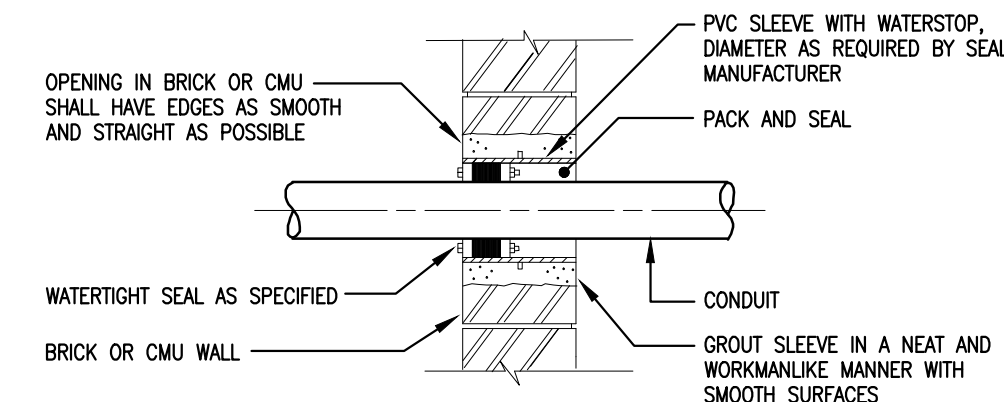
7 POLE RISER DETAIL
SCALE: N.T.S.



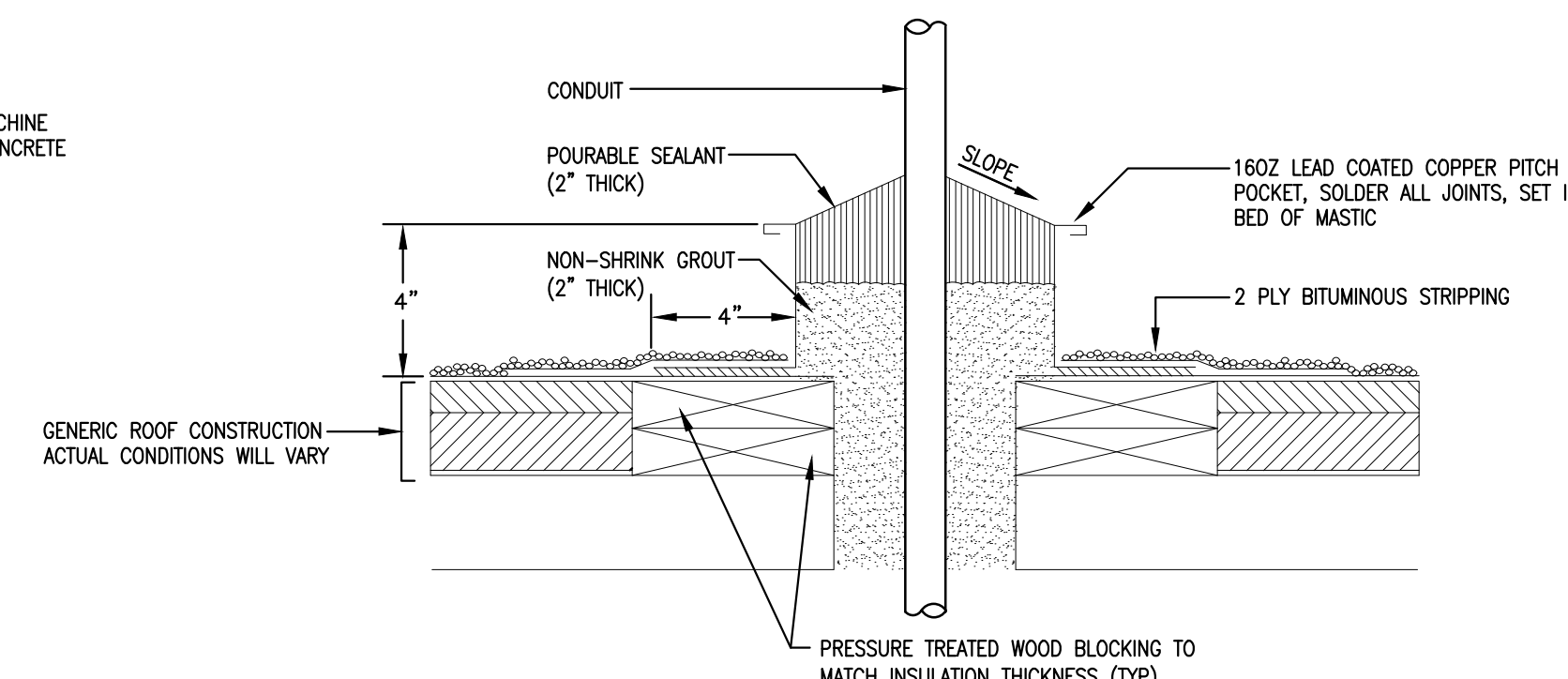
11 CONDUIT MOUNTING DETAIL
SCALE: N.T.S.



4 TYPICAL GASOLINE DISPENSER - SIDE VIEW CONDUIT DETAIL
SCALE: N.T.S.



8 WATERTIGHT CONDUIT PENETRATION DETAIL
SCALE: N.T.S.



- NOTES:**
- E.C. TO VERIFY ALL PENETRATION METHODS WITH ROOF MANUFACTURER.

12 CONDUIT ROOF PENETRATION DETAIL
SCALE: N.T.S.