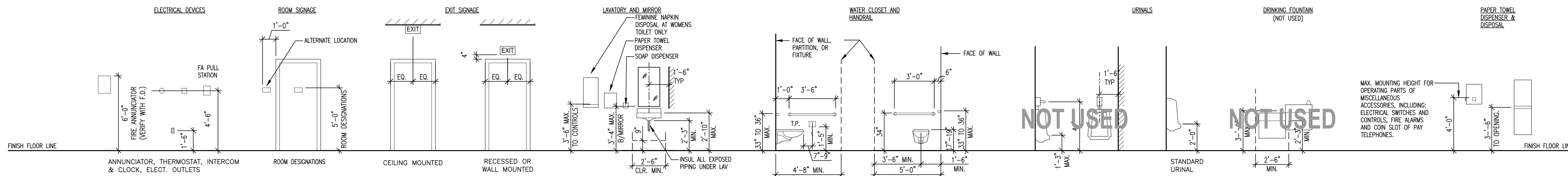
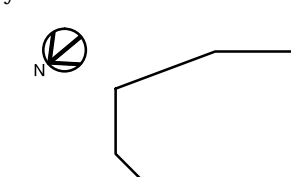


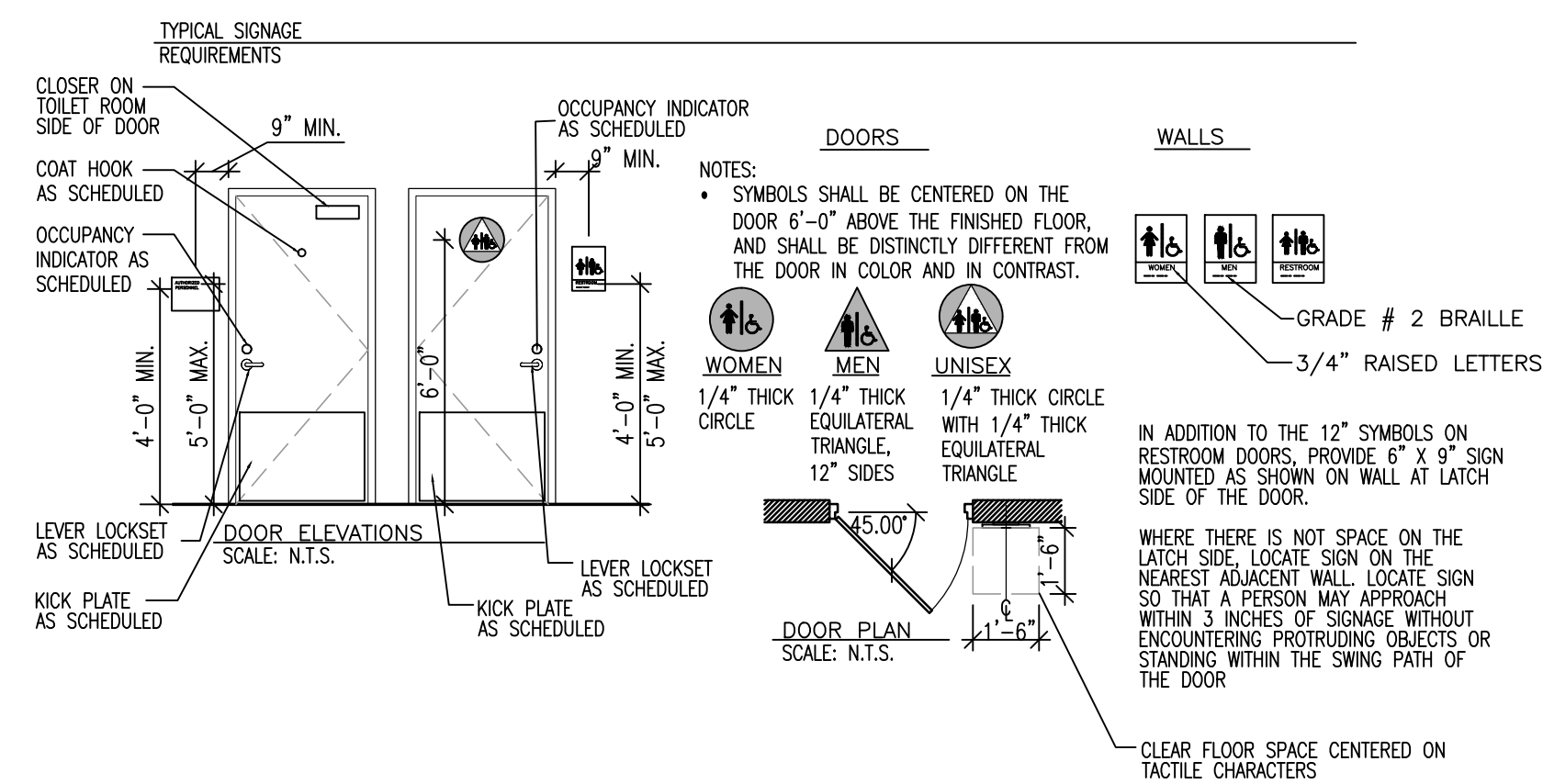


No.	Date	Issued for
-	11/22/13	90% CD Review Set
-	01/24/14	Bid & Permit



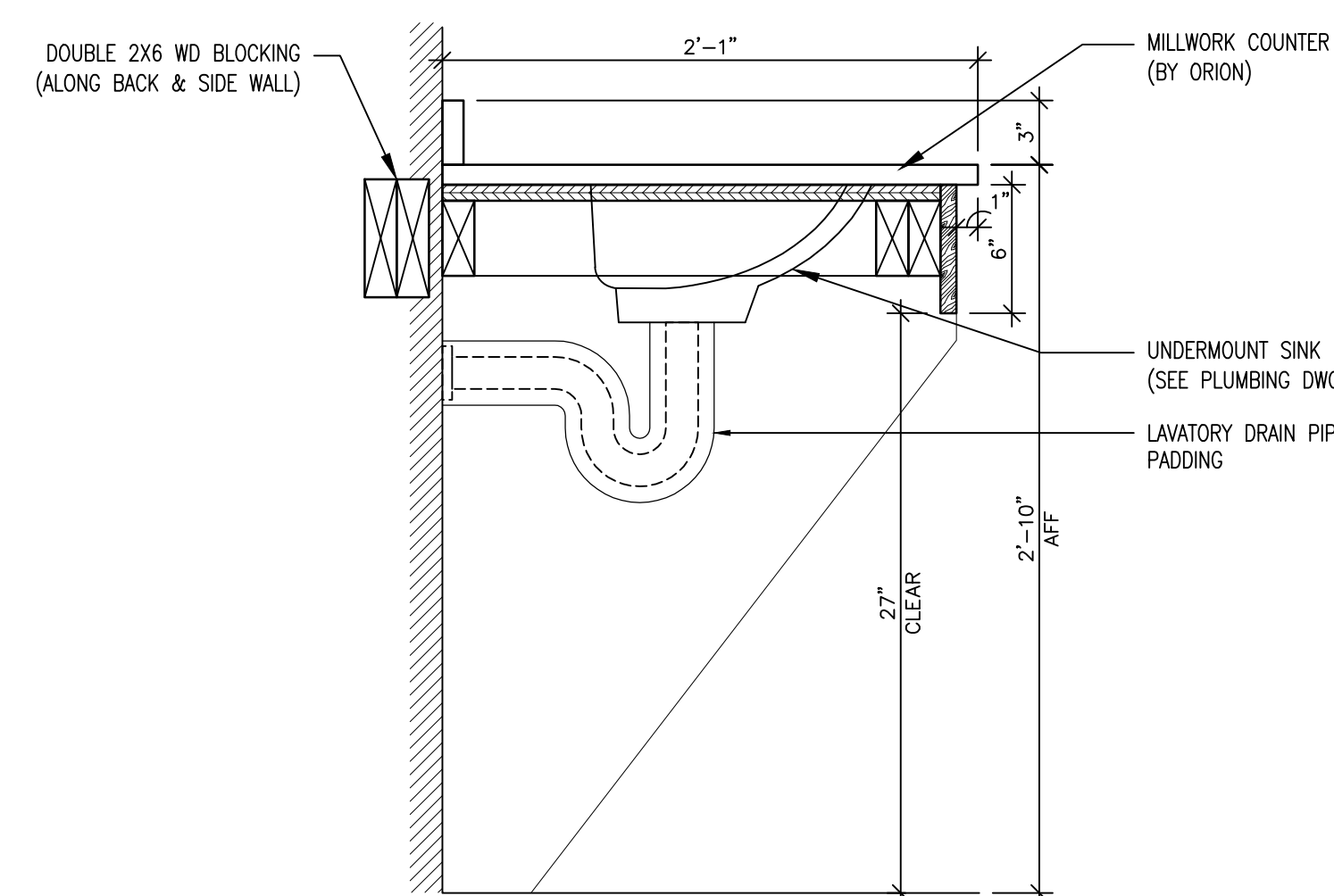
**12 TYPICAL MOUNTING HEIGHTS FOR HANDICAPPED FIXTURES**

AB.1 SCALE: 1/4" = 1'-0"



**11 ADA SIGNAGE DETAILS**

AB.1 SCALE: 1/4" = 1'-0"



**10 COUNTER DETAIL**

AB.1 SCALE: 1-1/2" = 1'-0"

**TOILET ACCESSORY SCHEDULE**

MARK	DESCRIPTION	MANUFACTURER	MODEL NO.	MOUNTING HT	DESCRIPTION / REMARKS
01	COAT HOOK	ROCKWOOD	806 X US26D	54" AFF	
02	TOILET PAPER HOLDER	BOBRICK	B685	27" TO $\epsilon$ OF UNIT	
03	PAPER TOWEL DISPENSER	KIMBERLY CLARKE	KC-09992	42" TO U.O. UNIT	COLOR: SMOKE GREY
04	SOAP DISPENSER	RUBBERMAID	FG750139	38" TO U.O. UNIT	COLOR: BLACK/ GREY PEARL
05	ELECTRIC HAND DRYER	EXCEL DRYER	XLERATOR XL-	42" TO U.O. UNIT	COLOR AS SELECTED BY OWNER
06	MIRROR (30"X36")	N/A	N/A	40" TO U.O. UNIT	STD 1/2" MIRROR
07	MOP HOLDER	BOBRICK	B-223 X 24"	48" AFF	
08	SOAP DISPENSER	BOBRICK	B-2111	38" TO U.O. UNIT	
09	REAR GRAB BAR	BOBRICK	B6806 X 36"	33" TO 36" MAX. TO T.O. BAR	1/2" DIA - W/ PEENED GRIP
10	SIDE GRAB BAR	BOBRICK	B6806 X 42"	33" TO 36" MAX. TO T.O. BAR	1/2" DIA - W/ PEENED GRIP
11	BABY CHANGING STATION	KOALA KARE	KB-101-05	PER MFG SUGG.	PROVIDE BLOCKIN PER MFG REQTS
12	TOILET PARTITION	MARLITE	HIGH-DENSITY POLYMER	PER-MFG-SUGG.	#260-SANDSTONE
13	VERTICAL GRAB BAR	BOBRICK	B-6806 X 18"	39"-41" TO $\epsilon$ OF UNIT	1/2" DIA - W/ PEENED GRIP

**NOTES:**

1. MOUNT ALL TOILET ACCESSORIES IN STRICT ACCORDANCE WITH THE AMERICAN DISABILITIES ACT OR GOVERNING HANDICAP CODE
2. PROVIDE WOOD BLOCKING BACK-UP FOR MOUNTING ALL ACCESSORIES

**9 RESTROOM ELEV.**

AB.1 SCALE: 1/4" = 1'-0"

**8 RESTROOM ELEV.**

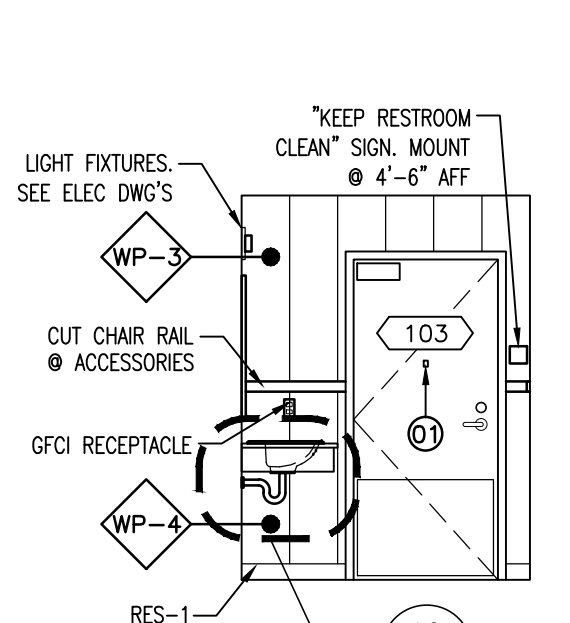
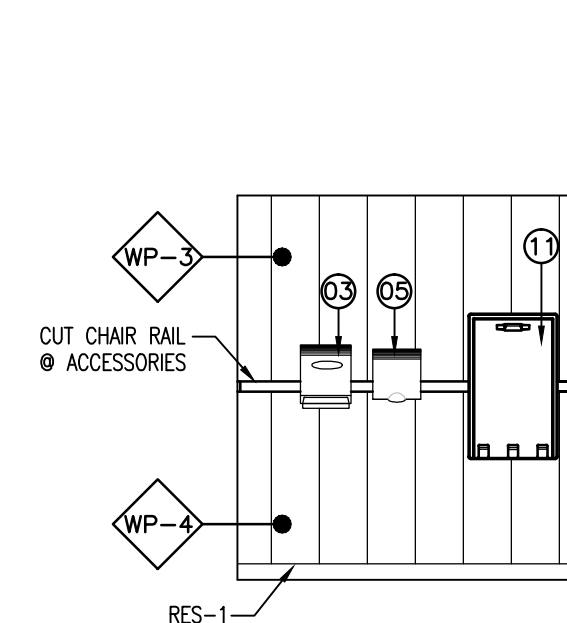
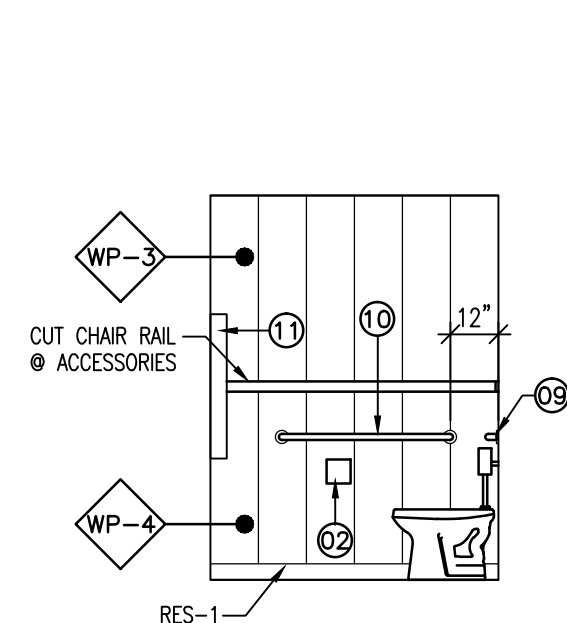
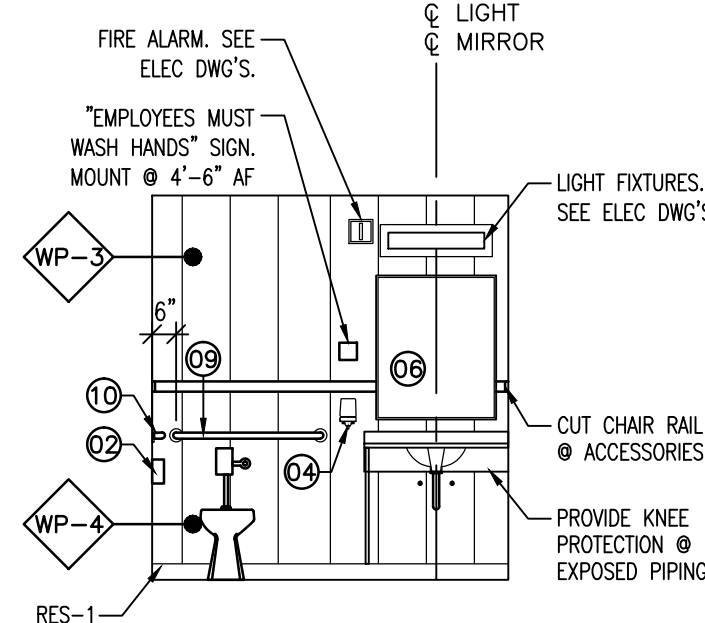
AB.1 SCALE: 1/4" = 1'-0"

**7 RESTROOM ELEV.**

AB.1 SCALE: 1/4" = 1'-0"

**6 RESTROOM ELEV.**

AB.1 SCALE: 1/4" = 1'-0"



**5 RESTROOM ELEV.**

AB.1 SCALE: 1/4" = 1'-0"

**4 RESTROOM ELEV.**

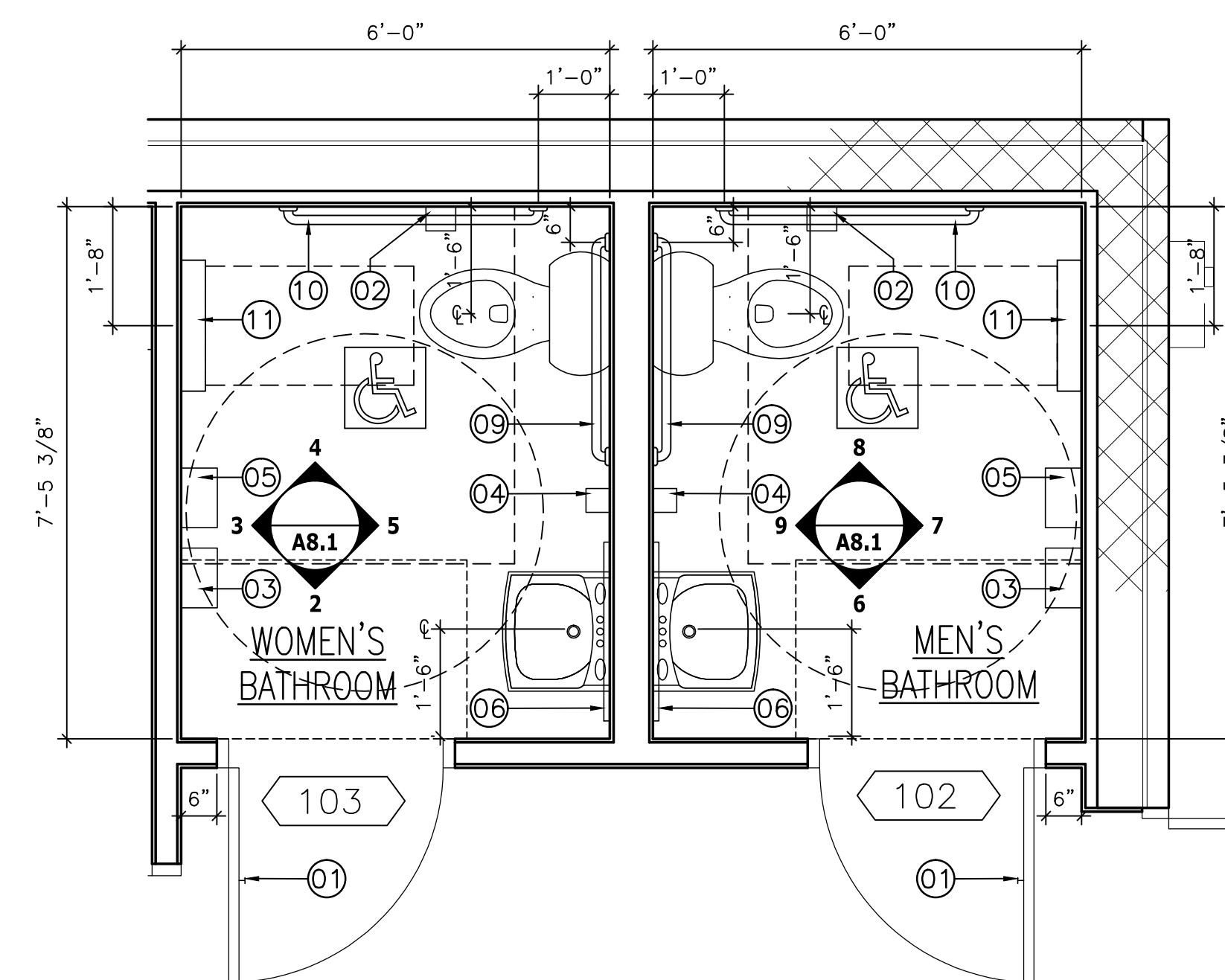
AB.1 SCALE: 1/4" = 1'-0"

**3 RESTROOM ELEV.**

AB.1 SCALE: 1/4" = 1'-0"

**2 RESTROOM ELEV.**

AB.1 SCALE: 1/4" = 1'-0"



**1 ENLARGED FLOOR PLAN**

AB.1 SCALE: 1/2" = 1'-0"