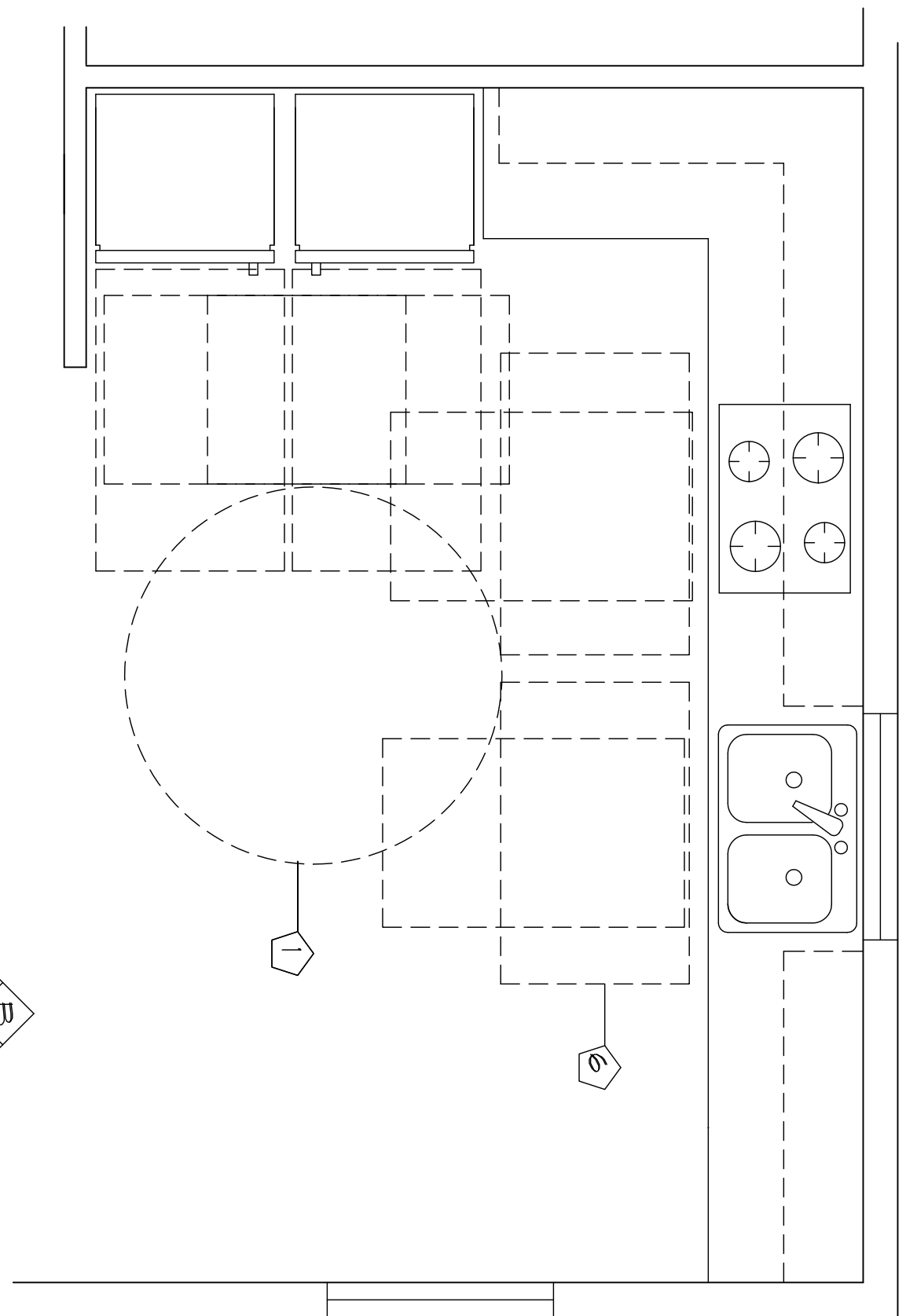
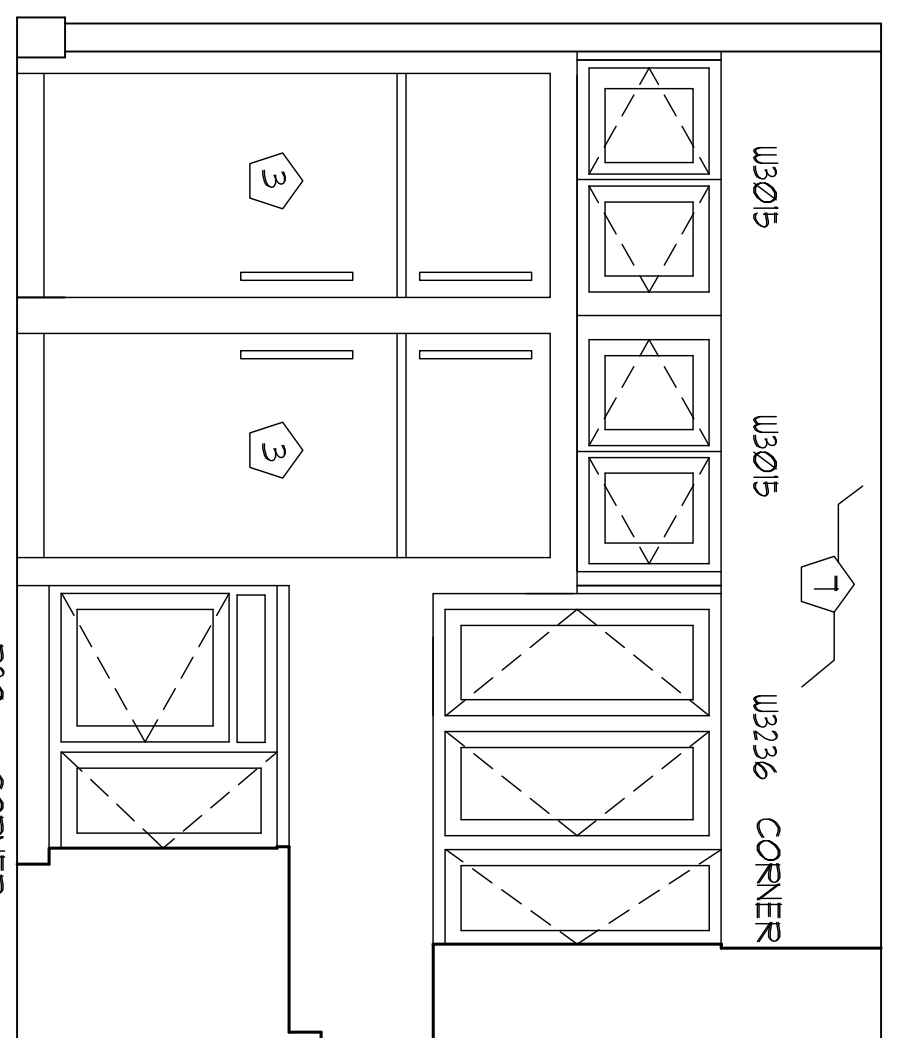


KEYED NOTES - 1/A1

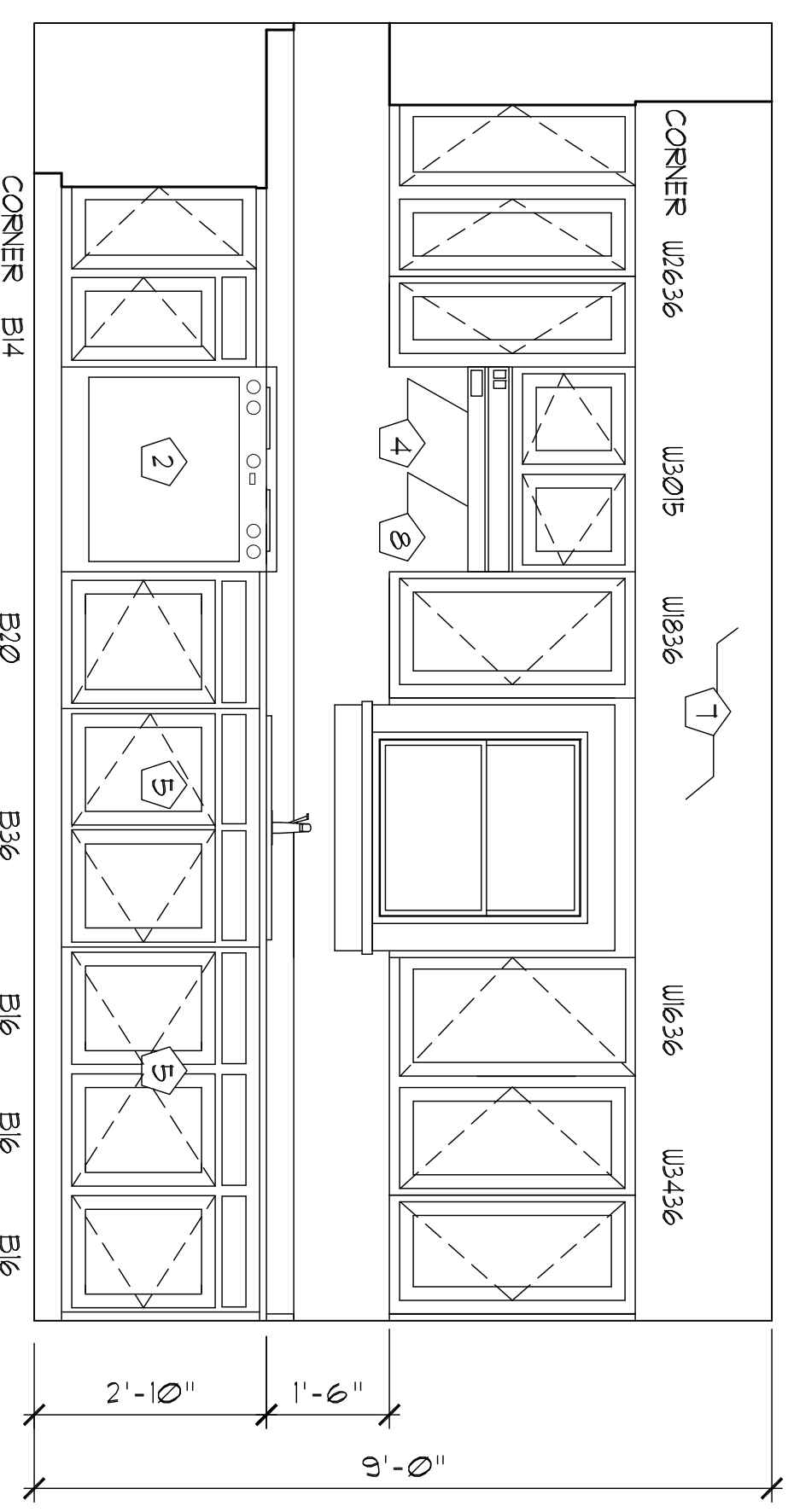
- ① 60" DIA. TURNING SPACE.
- ② SLIDE-IN RANGE BY OWNER 30"W x 28" D. NOMINAL DIMENSIONS - ROUT OUT COUNTER TO RECEIVE RANGE. RUN COUNTERBACK SHELASH CONTINUOUS BEHIND RANGE. ADA COMPLIANT. CONTROLS ON FRONT.
- ③ REFRIGERATOR BY OWNER BASED ON GE GTH18JDUW 28"W x 31"D x 66 3/4"H - ENERGY STAR & ADA COMPLIANT.
- ④ HARD DUCTED ENERGY STAR RANGE HOOD.
- ⑤ REMOVABLE CABINET, EXTEND FINISH FLOORING BENEATH CABINET.
- ⑥ 30" x 48" CLEAR SPACE AT APPLIANCES. (TYP.)
- ⑦ G.B. SOFFIT - PTD.
- ⑧ PROVIDE A SEPARATE ACCESSIBLE WALL SWITCH WIRED TO RANGE HOOD AND LIGHT.
- ⑨ TWO BASIN KITCHEN SINK - ADA COMPLIANT. 29"W x 22"D NOMINAL DIMENSIONS.



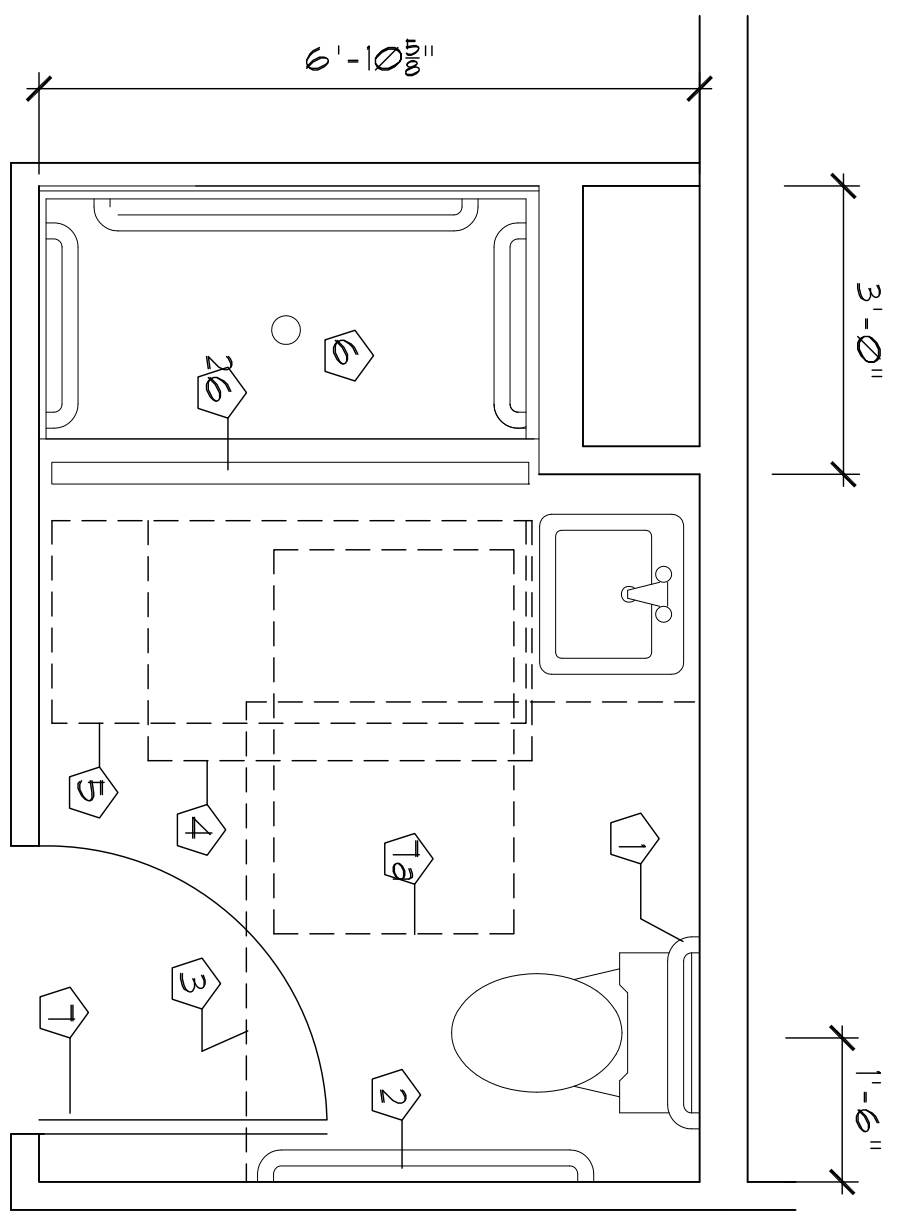
① KITCHEN 10T PLAN (ANSI A)
SCALE: 1/2" = 1'-0"



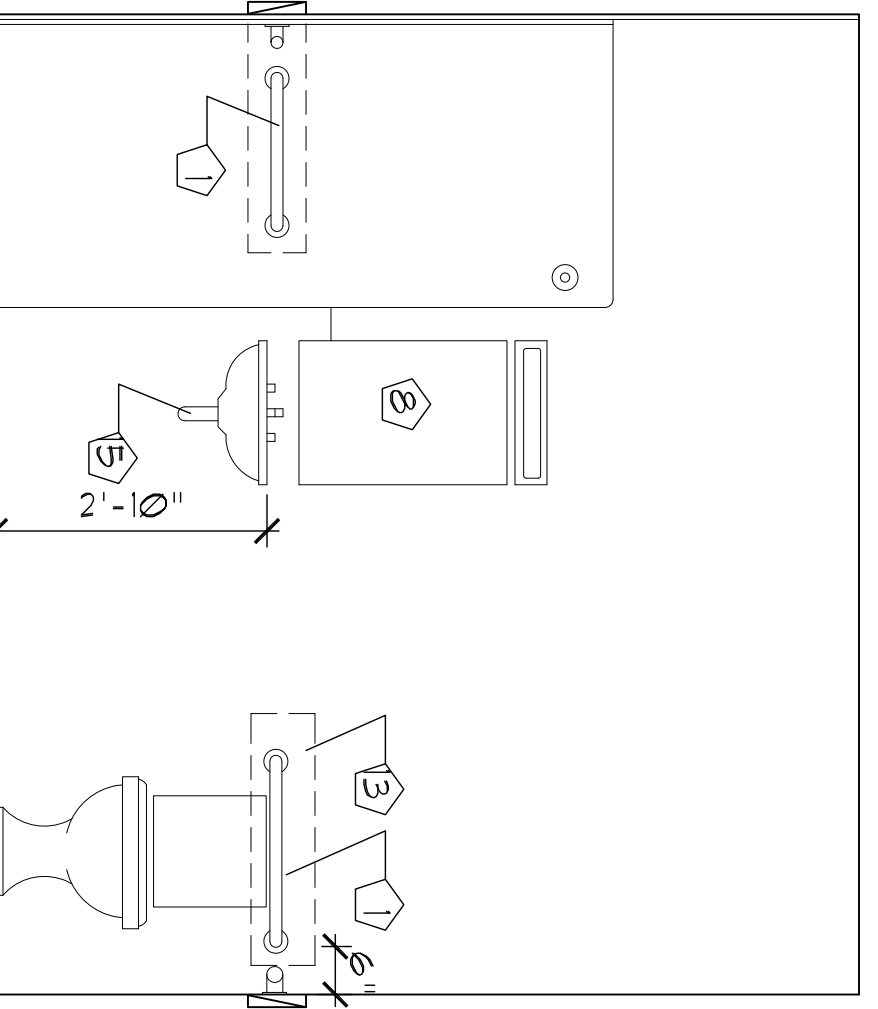
④ KITCHEN 10T ELEVATION
SCALE: 1/2" = 1'-0"



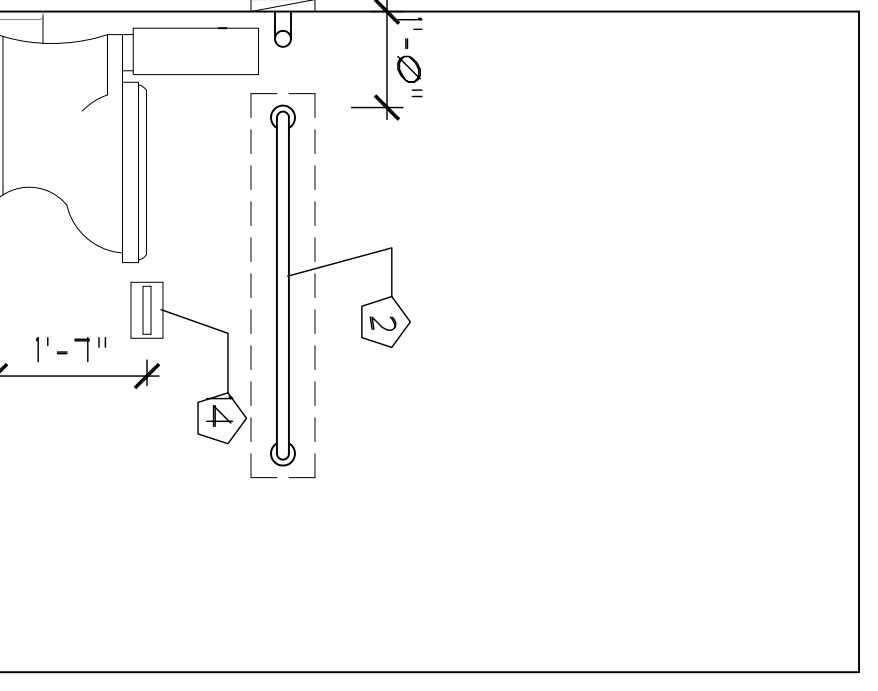
⑤ KITCHEN 10T ELEVATION
SCALE: 1/2" = 1'-0"



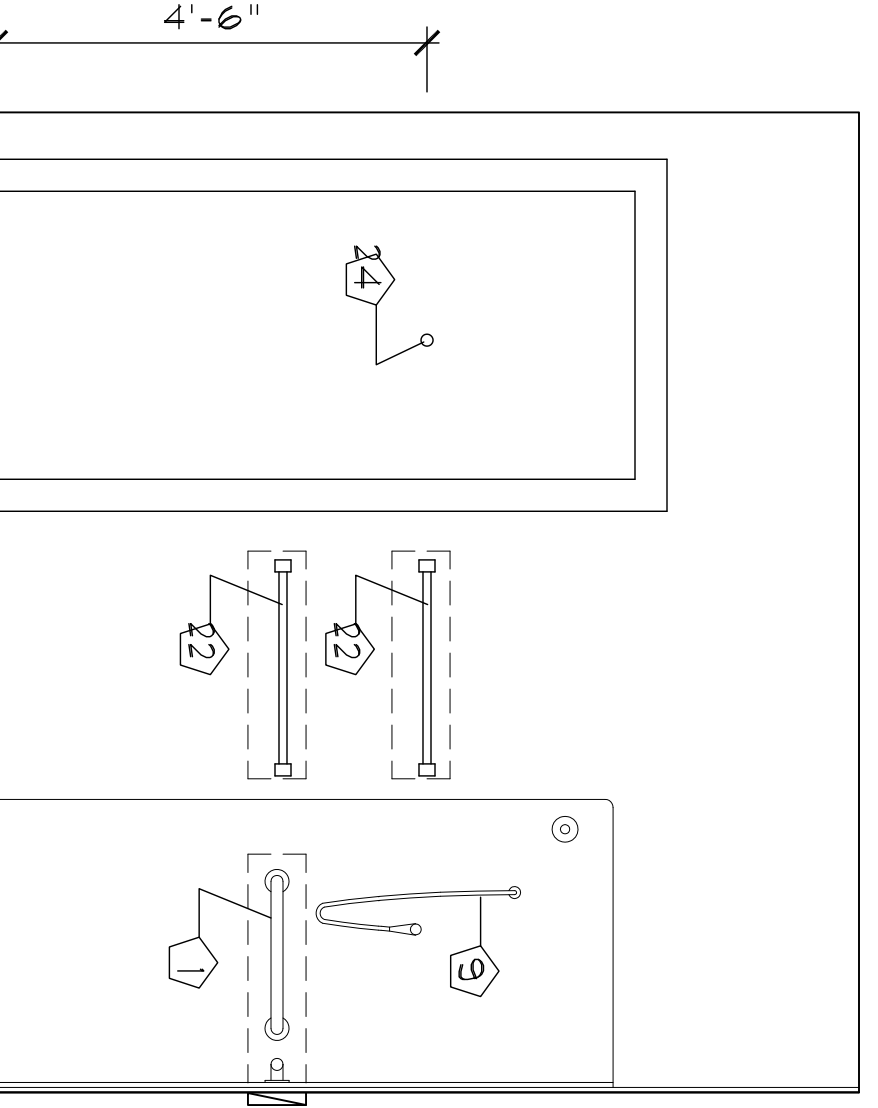
② HC BATH 108 PLAN (ANSI A)
SCALE: 1/2" = 1'



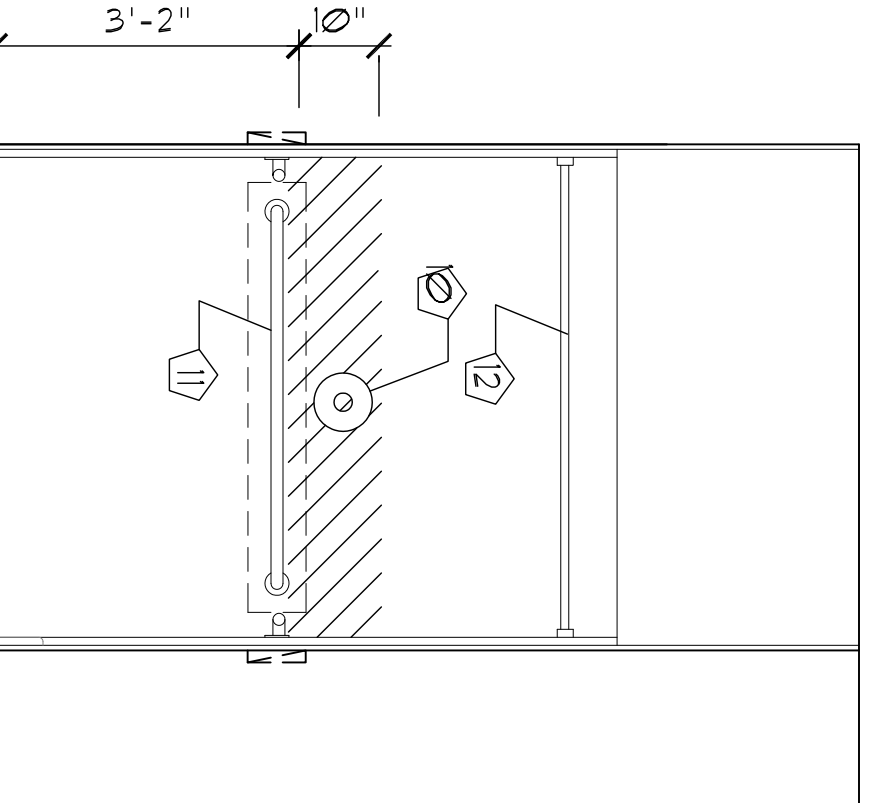
⑥ ELEVATION
SCALE: 1/2" = 1'



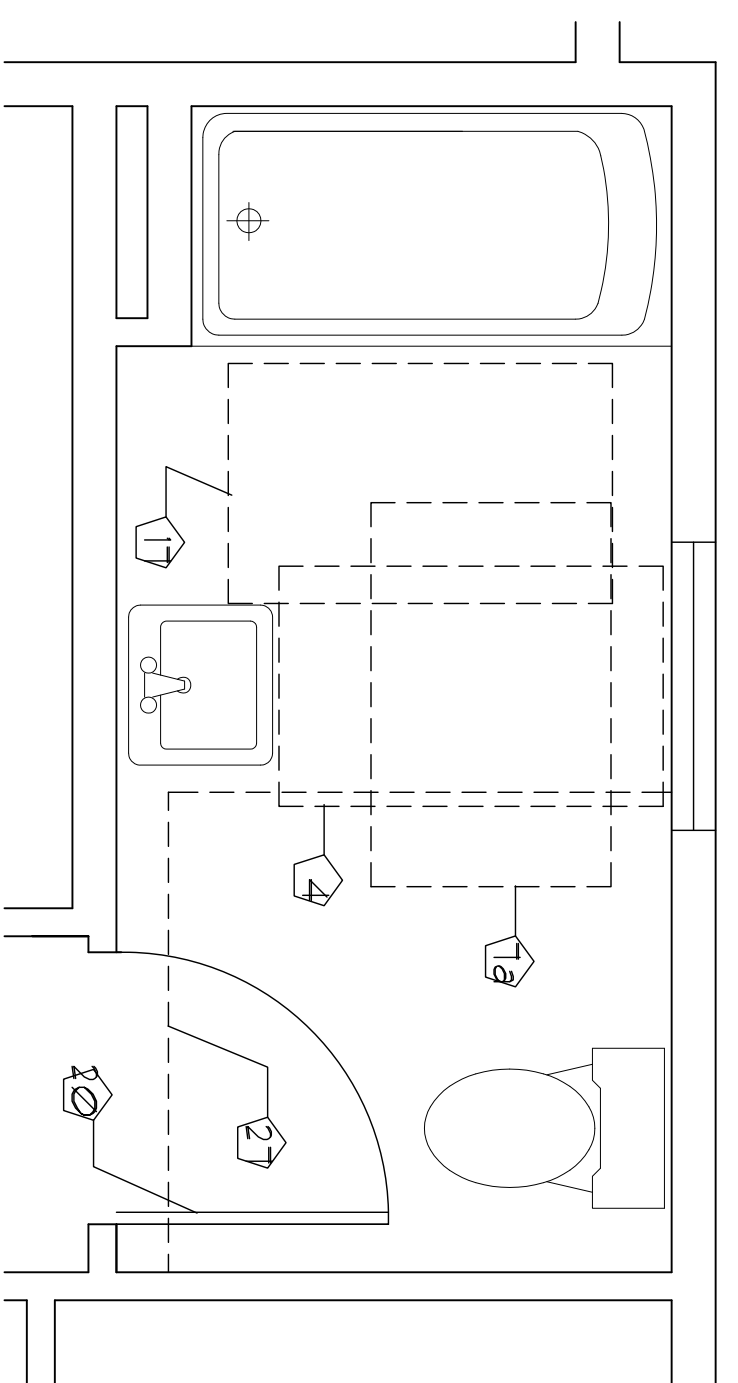
⑦ ELEVATION
SCALE: 1/2" = 1'



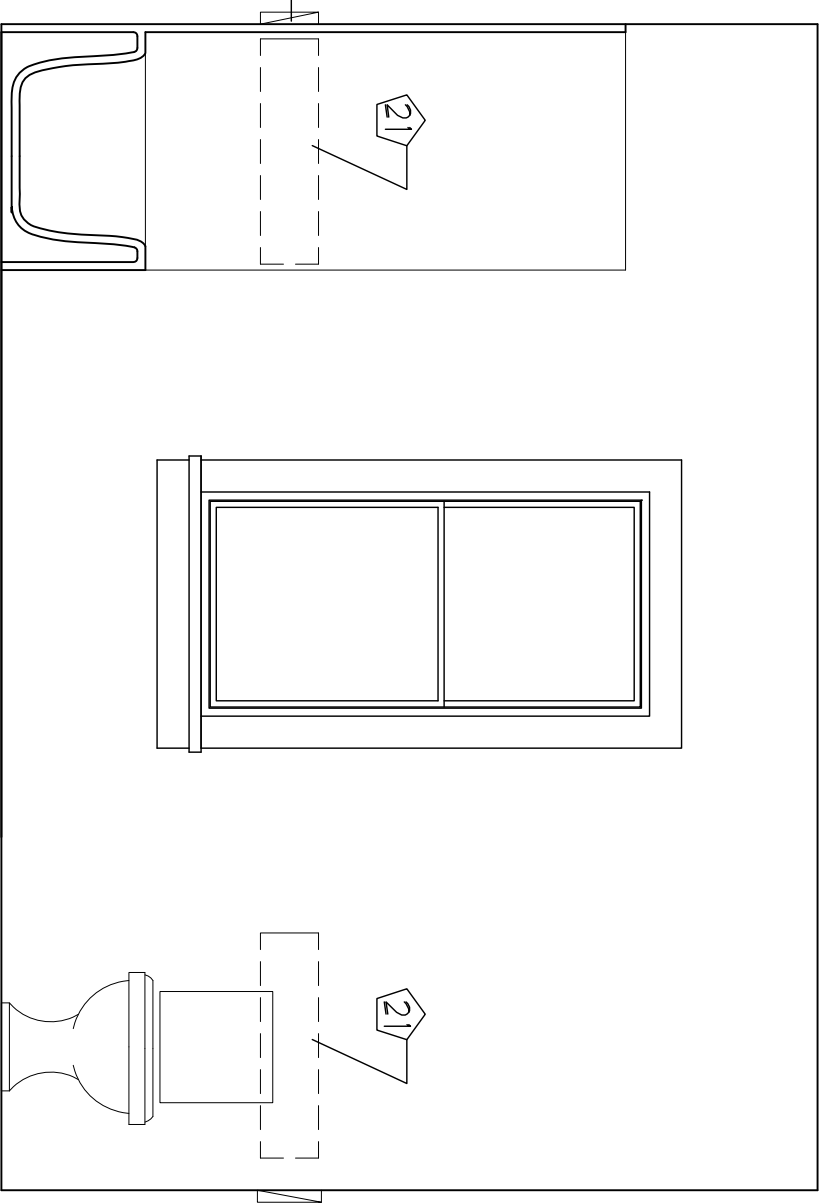
⑧ ELEVATION
SCALE: 1/2" = 1'



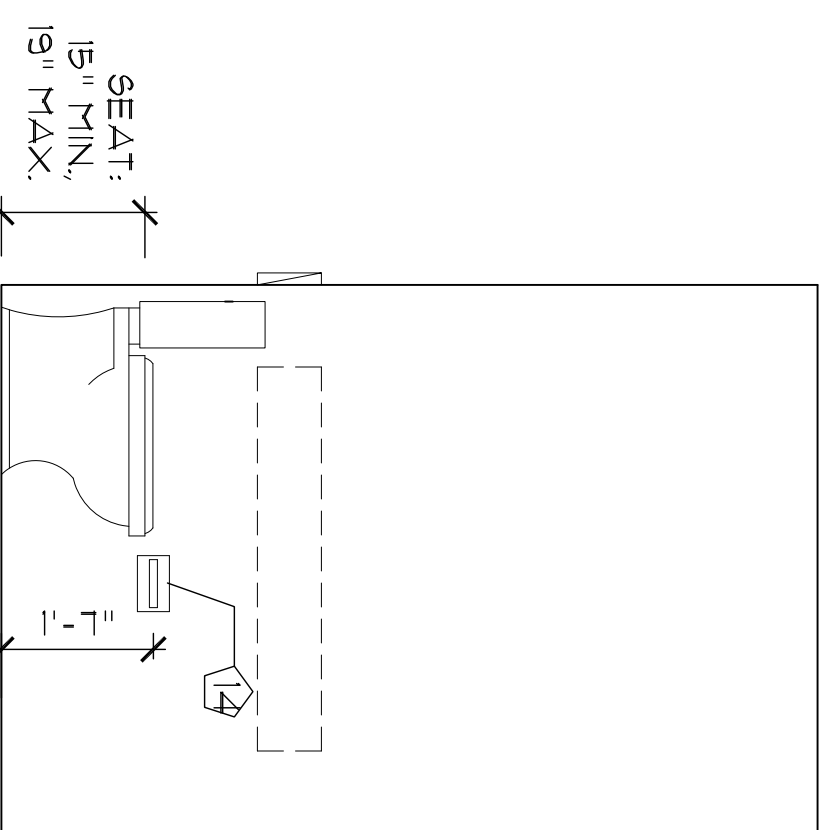
⑨ ELEVATION
SCALE: 1/2" = 1'



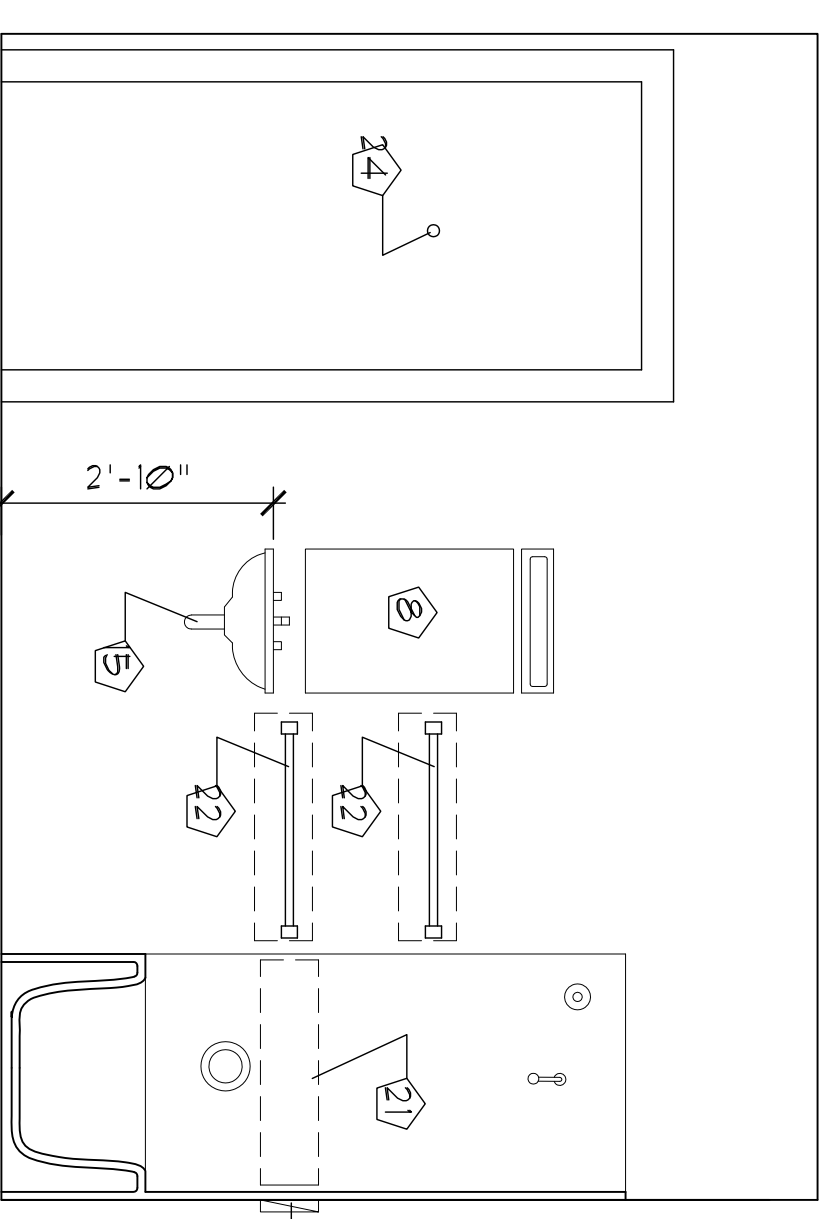
③ BATH 201 PLAN (ANSI B)
SCALE: 1/2" = 1'



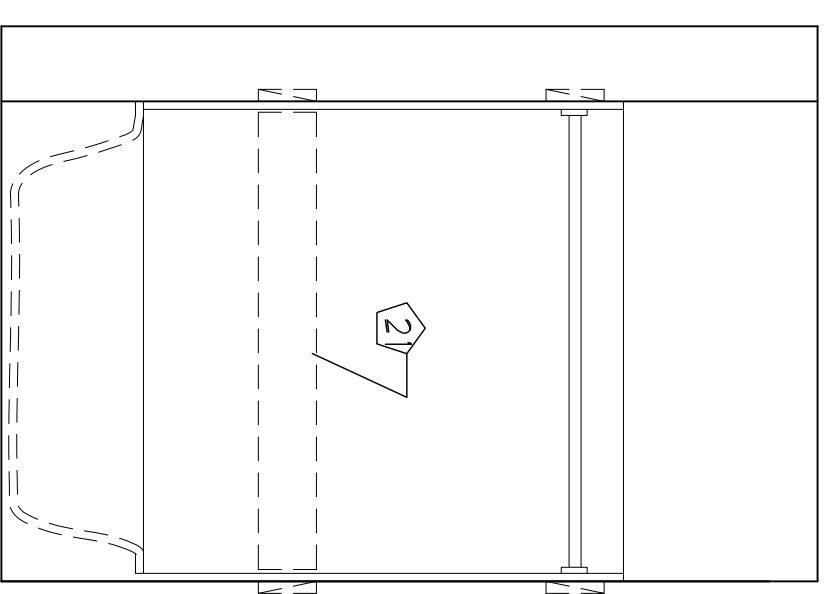
⑩ ELEVATION
SCALE: 1/2" = 1'



⑪ ELEVATION
SCALE: 1/2" = 1'



⑫ ELEVATION
SCALE: 1/2" = 1'



⑬ ELEVATION
SCALE: 1/2" = 1'

GENERAL NOTE:
1. PROVIDE SOLID WOOD BLOCKING AT ALL WALL MOUNTED ITEMS.
2. GC TO COORDINATE SHOWER & TUB ENCLOSURE DIMENSIONS WITH FRAMING DIMENSIONS.

- ① 2'-0" GRAB BAR
- ② 3'-6" GRAB BAR
- ③ 60" x 56" CLEAR SPACE AT TOILET.

- ④ 48" x 30" CLEAR SPACE AT LAVATORY.
- ⑤ 60" x 30" CLEAR SPACE AT ROLL-IN SHOWER
- ⑥ ROLL-IN SHOWER - 5'-0" x 3'-0" INTERIOR CLEAR DIMENSIONS. SEE 4/A1A.
- ⑦ 3'-0" x 6'-8" DOOR

- ⑧ 30" x 48" CLEAR FLOOR SPACE BEYOND ARC OF THE DOOR SWING - ALLOWING INSURING DOOR.
- ⑨ BOTTOM OF REFLECTIVE SURFACE OF MIRROR AT 3'-2" MAX.
- ⑩ SHOWER SPRAY UNIT WITH 60" MIN. HOSE.
- ⑪ SHOWER CONTROL - HATCHED AREA INDICATES ALLOWABLE LOCATION FOR CONTROLS.
- ⑫ 4'-0" GRAB BAR
- ⑬ CURTAIN ROD.

- ⑬ SOLID WOOD BLOCKING (TYP.)
- ⑭ TOILET PAPER DISPENSER
- ⑮ PIPE WRAP.
- ⑯ NOT USED.
- ⑰ 30" x 60" CLEAR SPACE AT TUB.
- ⑱ NOT USED.

- ⑲ 5'-0" x 2'-6" TUB/SHOWER ENCLOSURE. SEE 4/A1A.
- ⑳ 2'-10" x 6'-8" DOOR
- ㉑ SOLID WOOD BLOCKING FOR FUTURE GRAB BARS (TYP.)
- ㉒ 2'-0" TOWEL BAR
- ㉓ NOT USED.
- ㉔ ROBE HOOK
- ㉕ NOT USED.
- ㉖ TRENCH DRAIN

CLEAR SPACE AT WATER CLOSET EXTENDING 42" ON ONE SIDE OF THE CENTERLINE OF THE WC AND 18" ON THE OTHER AND EXTENDING NOT LESS THAN 32" IN FRONT OF THE WC.

