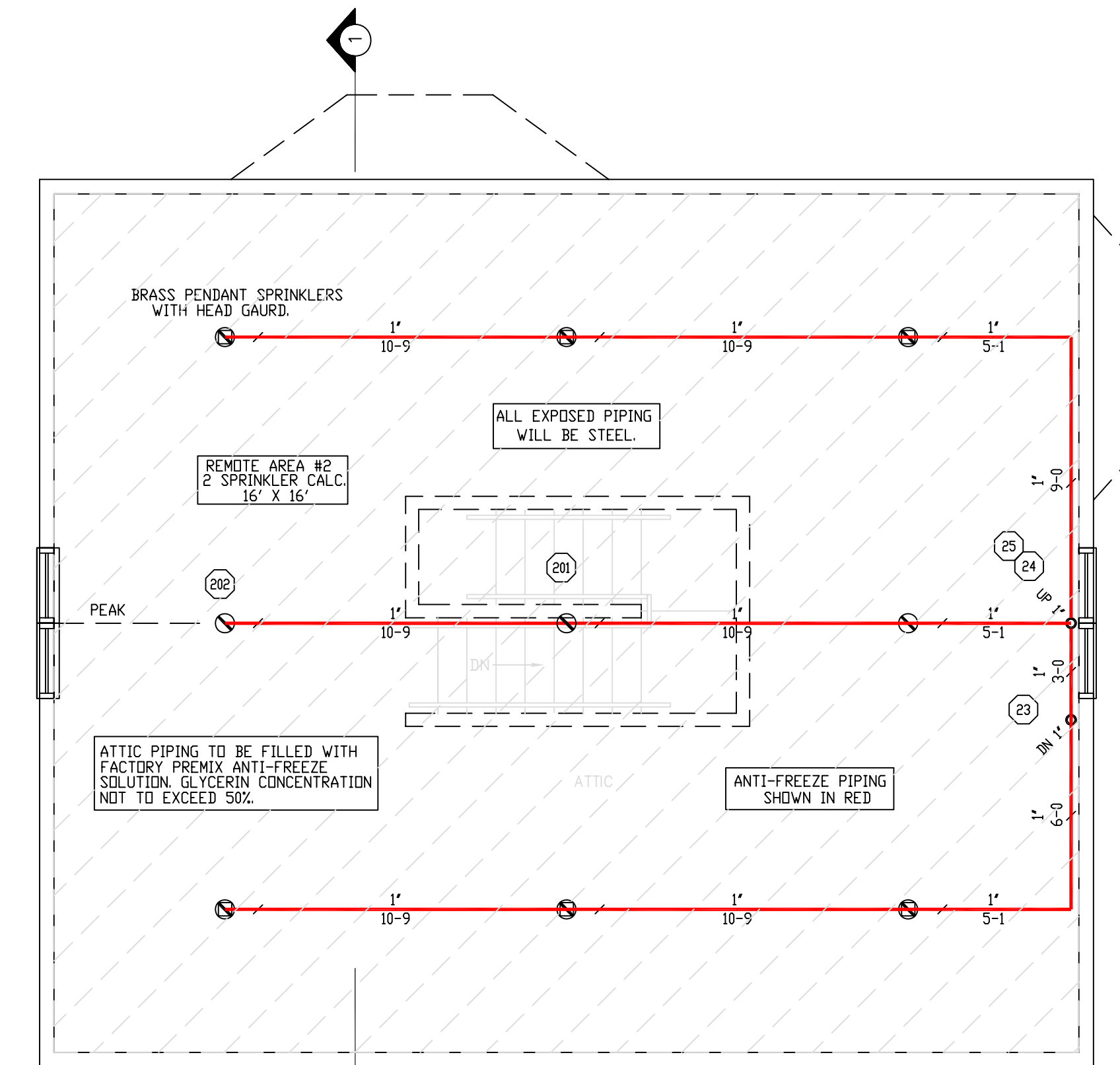


SECOND FLOOR FIRE PROTECTION

SCALE 1/4"=1'-0" QUANTITY \square = 14

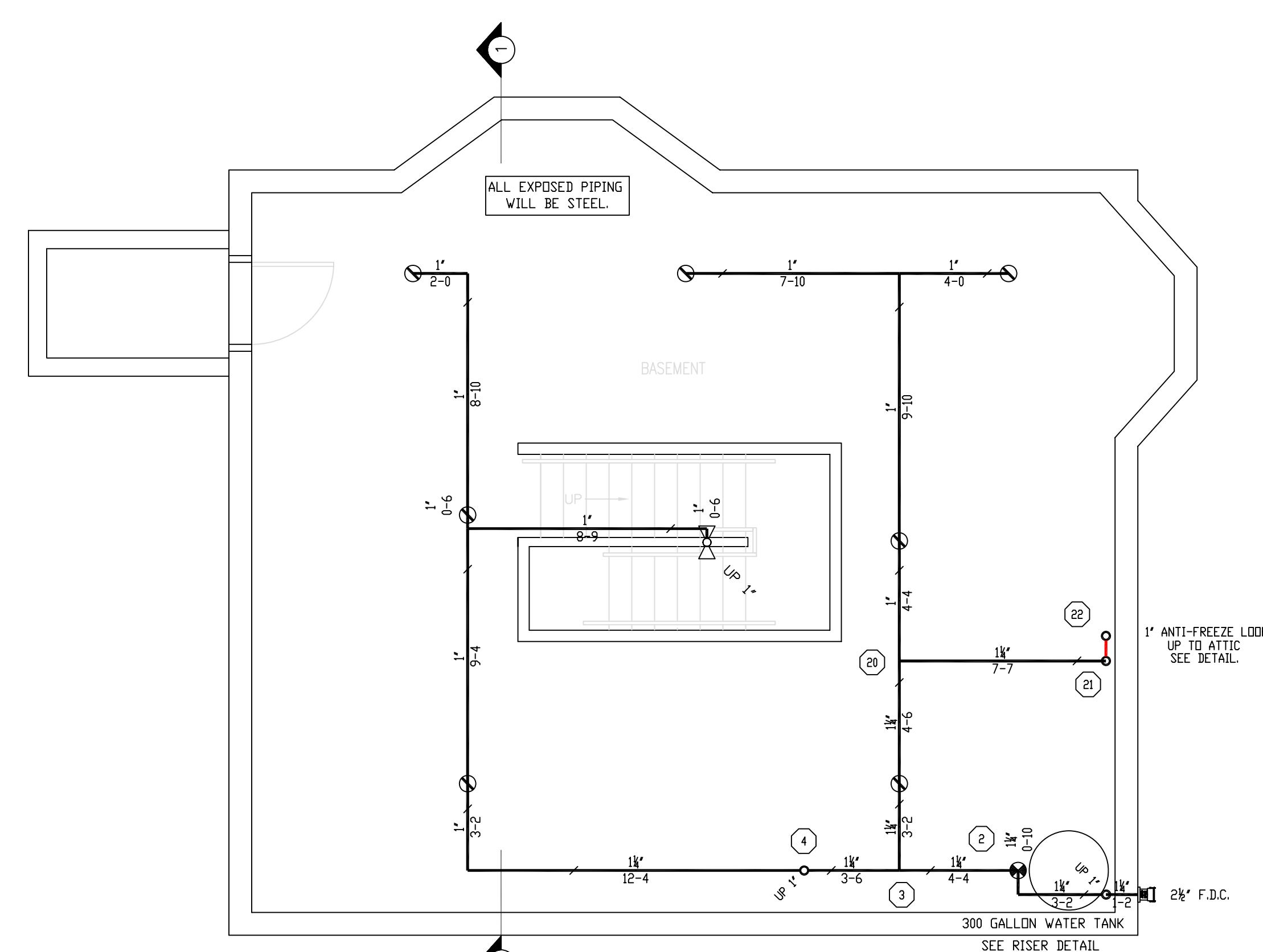
HYDRAULIC DESIGN	
SYSTEM	AREA #1
SPRINKLERS	2 SPRINKLERS
SPRINKLER CALC.	14' X 14'
DESIGN RECD	0.05 GPM
AREA #2	2 SPRINKLERS
HOSE ALLOWANCE	N/A
SPRINKLER SYSTEM	26 GPM
DESIGN RECD	29 PSI
SAFETY FACTOR	19.10 PSI



ATTIC STORAGE FIRE PROTECTION

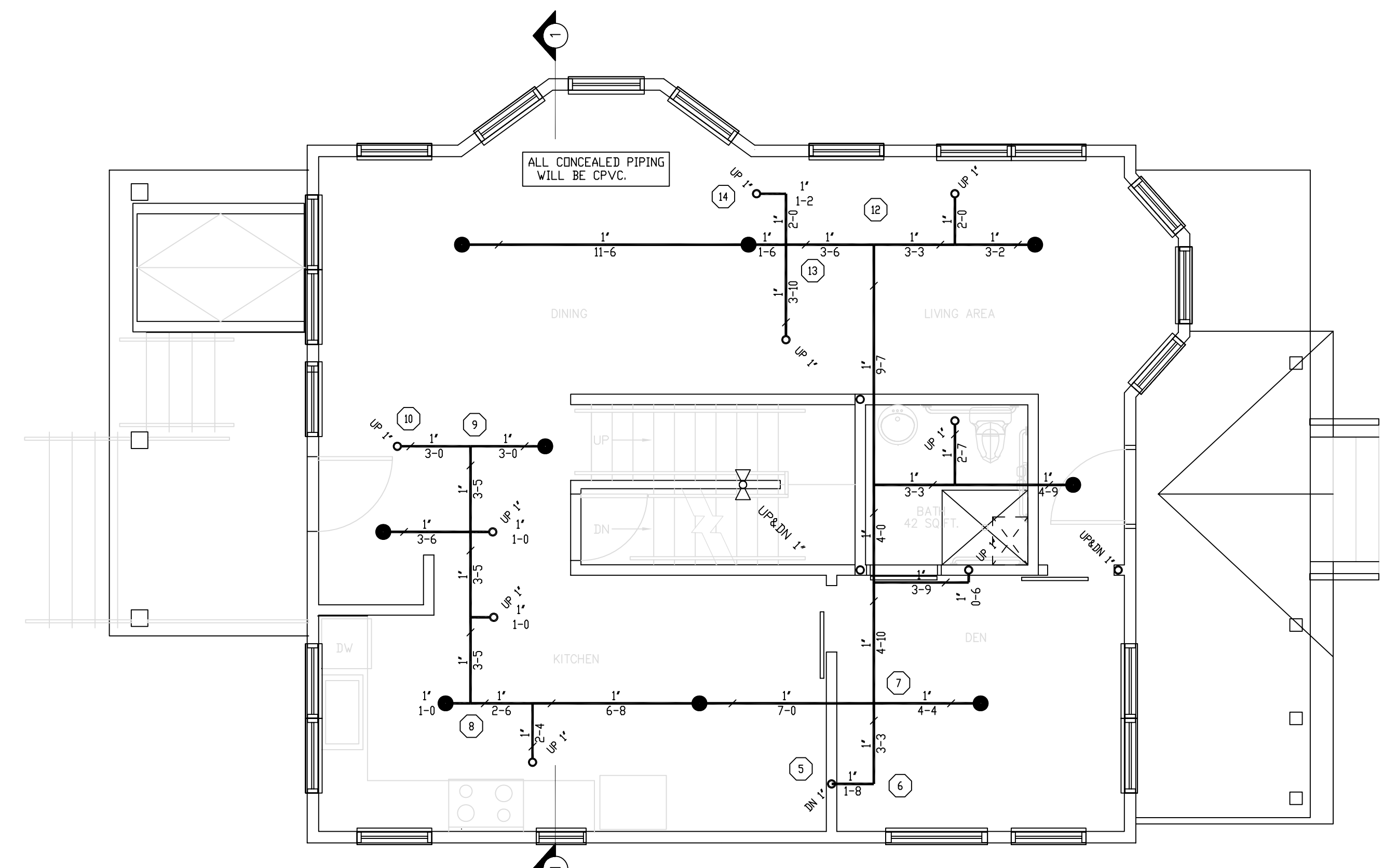
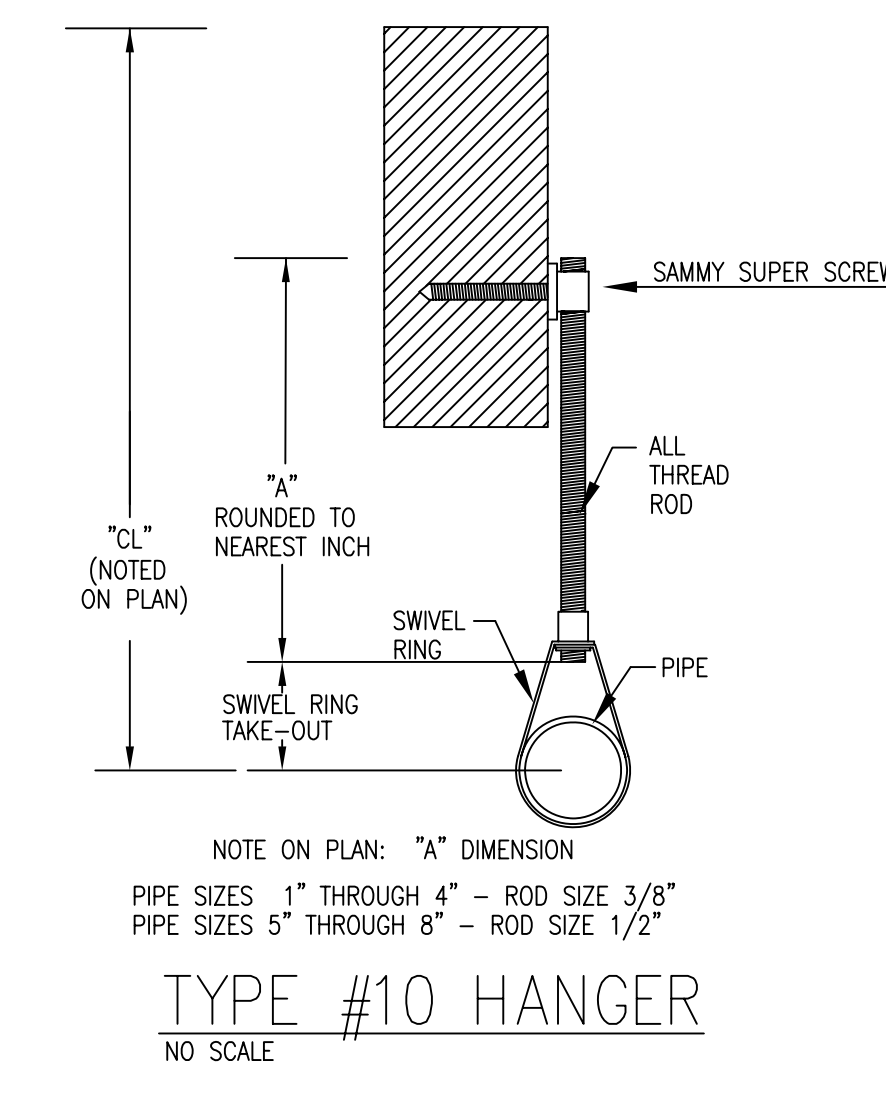
SCALE 1/4"=1'-0" QUANTITY \circ = 3
QUANTITY \circ = 6

HYDRAULIC DESIGN	
SYSTEM	AREA #2
SPRINKLERS	2 SPRINKLERS
SPRINKLER CALC.	16' X 16'
DESIGN RECD	0.05 GPM
AREA #2	2 SPRINKLERS
HOSE ALLOWANCE	N/A
SPRINKLER SYSTEM	26 GPM
DESIGN RECD	41 PSI
SAFETY FACTOR	7.74 PSI



BASEMENT FIRE PROTECTION

SCALE 1/4"=1'-0" QUANTITY \circ = 7
QUANTITY \triangle = 2



GROUND FLOOR FIRE PROTECTION

SCALE 1/4"=1'-0" QUANTITY \bullet = 9
QUANTITY \triangle = 2

REVISIONS	NOTES	SPRINKLER TYPE	IDENTIFICATION NO.	MFG.	ESC.	MODEL	FINISH	ORIFICE	TEMP.	SYMBOL	QUANT.
	K=4.9 PENDANT SPRINKLER COVERAGE: 16'X16'	QUICK RESP. PENDANT K=4.9	TY2224	TYCO	CONCEALED	LFII	WHITE	1/2"	155°	\bullet	9
	K=4.4 SIDEWALL SPRINKLER COVERAGE: 14'X14'	QUICK RESP. PENDANT K=4.9 WITH HEAD GUARD	TY2234	TYCO	N/A	LFII	BRASS	1/2"	155°	\circ	10
		QUICK RESP. PENDANT K=4.9 WITH HEAD GUARD	TY2234	TYCO	N/A	LFII	BRASS	1/2"	155°	\circ	3
		QUICK RESP. SIDEWALL K=4.4	TY2334	TYCO	2 PIECE	LFII	WHITE	1/2"	155°	\triangle	18
TOTAL SPRINKLERS THIS DRAWING											40

STANDARD SYMBOLS	
\square	- POST INDICATOR VALVE
\circ	- KEY VALVE
\triangle	- FIRE HYDRANT
\square	- FIRE DEPT. CONNECTION
\square	- O.S. & Y GATE VALVE
\square	- SWING CHECK VALVE
\square	- NEW UNDERGROUND
\square	- EXIST UNDERGROUND

STANDARD SYMBOLS	
\square	- ALARM CHECK VALVE
\square	- RISER W/ALARM VALVE
\square	- RISER W/DRY VALVE
\square	- RISER W/ELEC. FLOW SWITCH
\square	- RISER W/DELUGE VALVE
\square	- WATER MOTOR BELL
\square	- ELECTRIC BELL
\square	- FLUSH FIRE DEPT. CONNECTION

INSPECTIONS	
1.	
2.	
3.	
4.	
5.	
RESPONSIBLE MANAGING SUPERVISOR: #348	
CONTRACTOR LICENSE #295	

McVEIGH RESIDENCE 38 COLUMBIA ROAD PORTLAND, MAINE 04103		JOB No.	M0179
FIRE PROTECTION PLAN		DATE	7/29/14
FREEDOM FIRE PROTECTION, INC. 209 QUAKER RIDGE ROAD CASCO, MAINE 04015		DRAWN BY	MJN
		SCALE	AS NOTED
		SHEET No.	FP-2of2