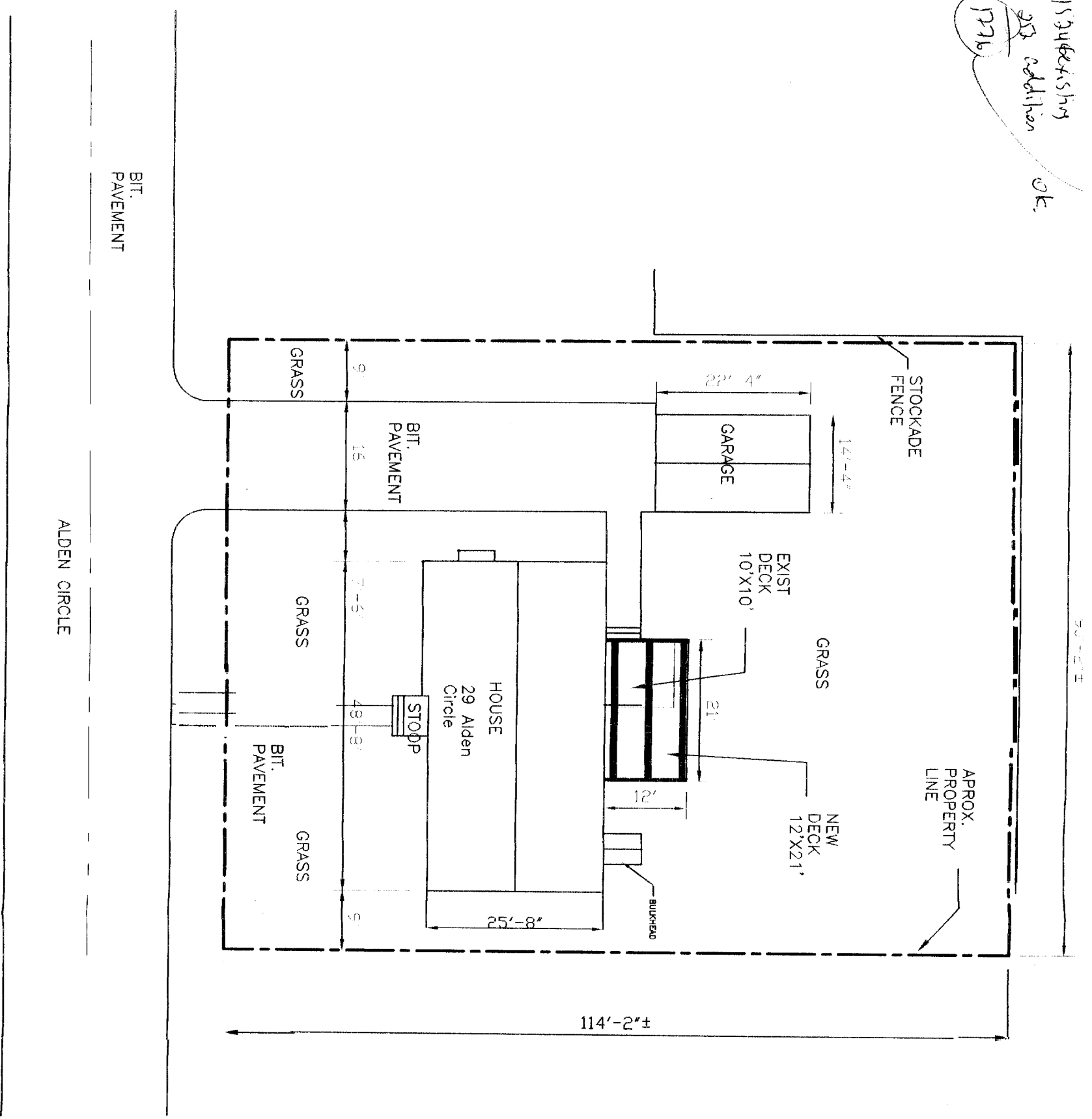
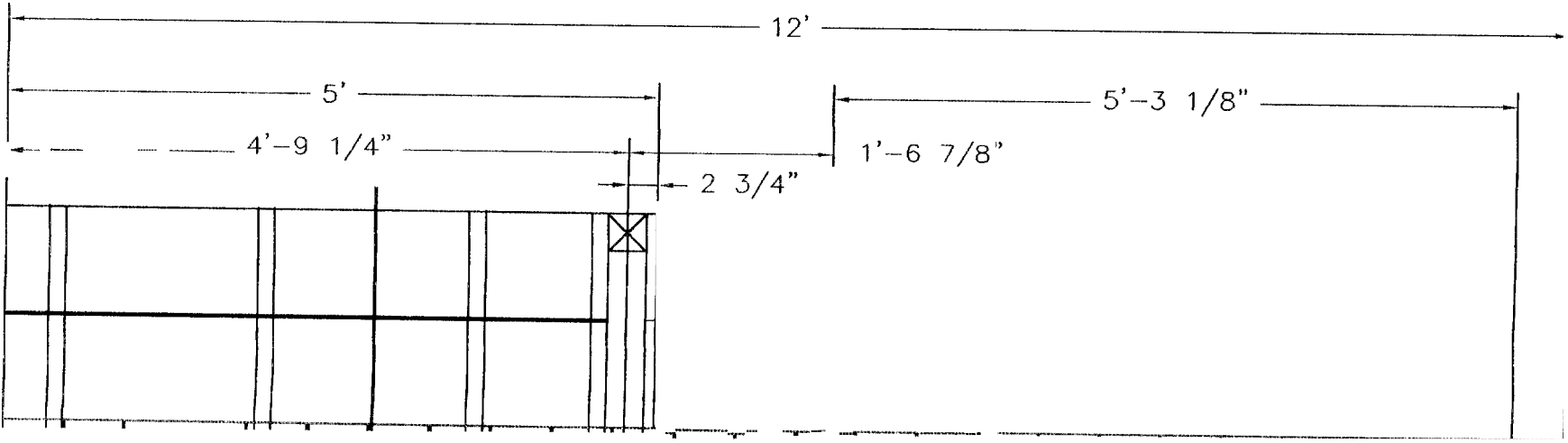
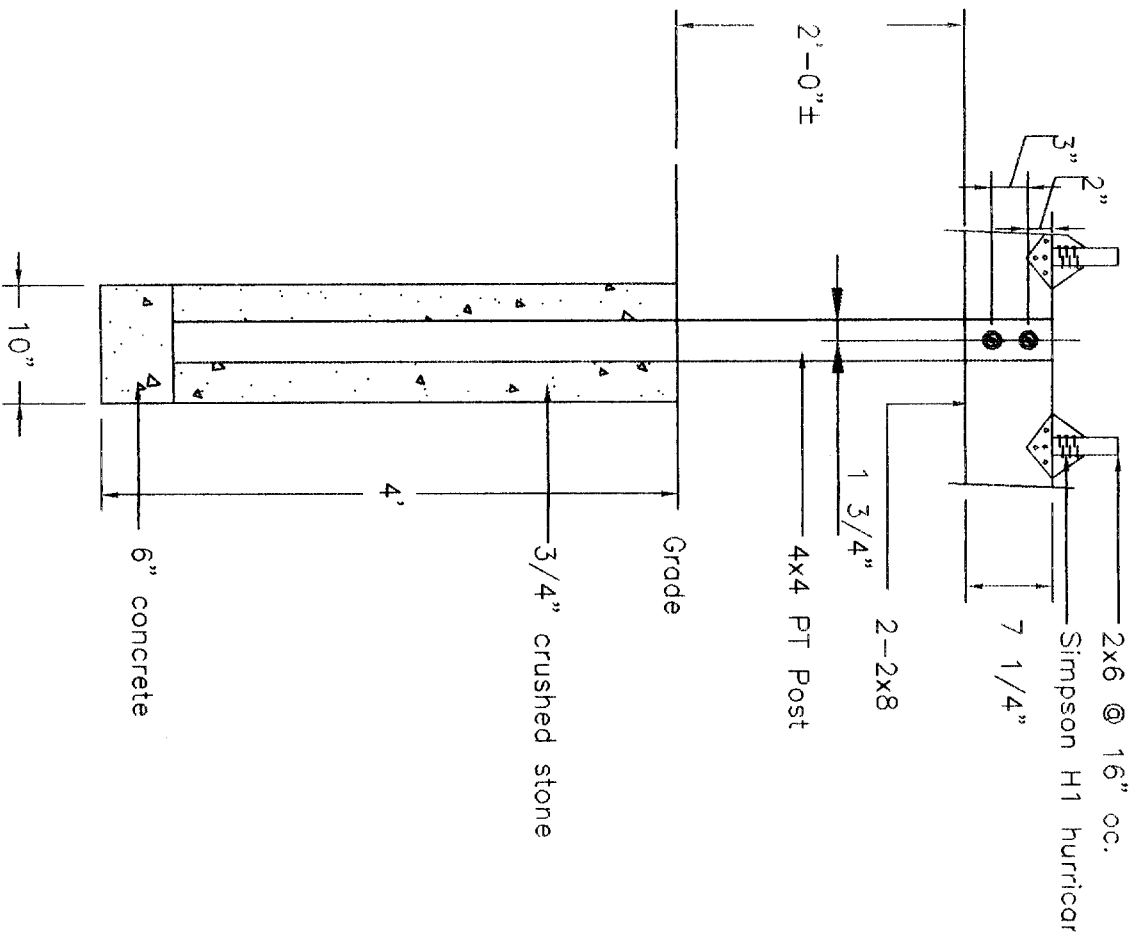
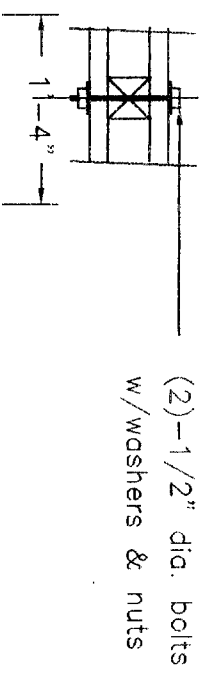


Rear setback 31' rear  
 Side setback 8' rear  
 Lot coverage 35% = 3192.95 sq ft  
 1534 sq ft existing  
 20% addition  
 1776  
 OK

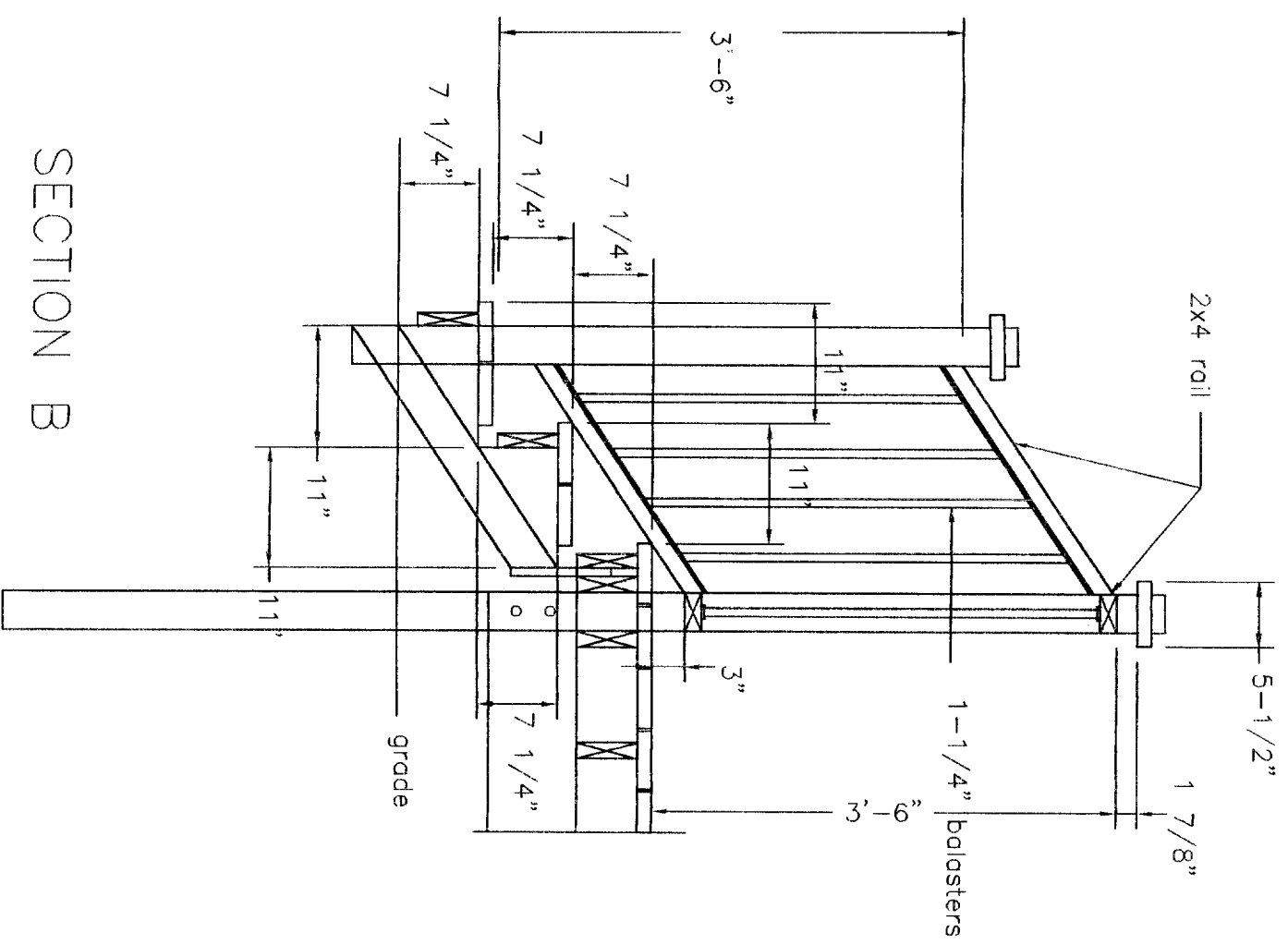


Scale: 1/16" = 1'-0"





SECTION A  
Scale: 3/4" = 1'-0"



SECTION B  
Scale: 3/4" = 1'-0"



