

DISPLAY THIS CARD ON PRINCIPAL FRONTAGE OF WORK CITY OF PORTLAND

Please Read Application And Notes, If Any, Attached

PERMIT ISSUED
MAY 24 2004
Permit Number: 040575
CITY OF PORTLAND

BUILDING DEPARTMENT

PERMIT

This is to certify that Hebert Michael J &/self

has permission to 10' x 16' deck w/stairs

AT 51 Leeman St

181 B001001

provided that the person or persons, firm or corporation accepting this permit shall comply with all of the provisions of the Statutes of Maine and of the ordinances of the City of Portland regulating the construction, maintenance and use of buildings and structures, and of the application on file in this department.

Apply to Public Works for street line and grade if nature of work requires such information.

Notification of inspection must be given and written permission procured before this building or part thereof is altered or closed-in. **HEAR NOTICE IS REQUIRED.**

A certificate of occupancy must be procured by owner before this building or part thereof is occupied.

OTHER REQUIRED APPROVALS

Fire Dept. _____

Health Dept. _____

Appeal Board _____

Other _____
Department Name

Jeanie Bowke 5/24/04
Director - Building & Inspection Services

PENALTY FOR REMOVING THIS CARD

PERMIT ISSUED

City of Portland, Maine - Building or Use Permit Application

389 Congress Street, 04101 Tel: (207) 874-8703, Fax: (207) 874-8716

Permit No: 04-0575	Issue Date: MAY 24 2004	CBL: 181 B001001
-----------------------	----------------------------	---------------------

Location of Construction: 51 Leeman St	Owner Name: Hebert Michael J &	Owner Address: 51 Leeman St	Phone: 774-8283
---	-----------------------------------	--------------------------------	--------------------

Business Name:	Contractor Name: self	Contractor Address: Portland	Phone:
----------------	--------------------------	---------------------------------	--------

Lessee/Buyer's Name:	Phone:	Permit Type: Additions - Dwellings	Zone: R3
----------------------	--------	---------------------------------------	-------------

Past Use: Single Family	Proposed Use: Single Family w/deck	Permit Fee: \$39.00	Cost of Work: \$1,078.00	CEO District: 3
----------------------------	---------------------------------------	------------------------	-----------------------------	--------------------

Proposed Project Description: 10' x 16' deck w/stairs	FIRE DEPT: <input type="checkbox"/> Approved <input type="checkbox"/> Denied	INSPECTION: Use Group: R3 Type: SHALLOTT BOL 1499
--	--	--

Signature:	Signature: JMB 5/24/04
------------	------------------------

PEDESTRIAN ACTIVITIES DISTRICT (P.A.D.) Action: <input type="checkbox"/> Approved <input type="checkbox"/> Approved w/Conditions <input type="checkbox"/> Denied

Signature:	Date:
------------	-------

Permit Taken By: jmb	Date Applied For: 05/11/2004	Zoning Approval
-------------------------	---------------------------------	------------------------

1. This permit application does not preclude the Applicant(s) from meeting applicable State and Federal Rules. 2. Building permits do not include plumbing, septic or electrical work. 3. Building permits are void if work is not started within six (6) months of the date of issuance. False information may invalidate a building permit and stop all work..	Special Zone or Reviews <input type="checkbox"/> Shoreland <input type="checkbox"/> Wetland <i>approved</i> <input type="checkbox"/> Flood Zone <input type="checkbox"/> Subdivision <i>TS remain SF Home</i> <input type="checkbox"/> Site Plan Maj <input type="checkbox"/> Minor <input type="checkbox"/> MM <input type="checkbox"/>	Zoning Appeal <input type="checkbox"/> Variance <input type="checkbox"/> Miscellaneous <input type="checkbox"/> Conditional Use <input type="checkbox"/> Interpretation <input type="checkbox"/> Approved <input type="checkbox"/> Denied	Historic Preservation <input checked="" type="checkbox"/> Not in District or Landmark <input type="checkbox"/> Does Not Require Review <input type="checkbox"/> Requires Review <input type="checkbox"/> Approved <input type="checkbox"/> Approved w/Conditions <input type="checkbox"/> Denied
	Date: JMB 5/24/04	Date:	Date: JMB

CERTIFICATION

I hereby certify that I am the owner of record of the named property, or that the proposed work is authorized by the owner of record and that I have been authorized by the owner to make this application as his authorized agent and I agree to conform to all applicable laws of this jurisdiction. In addition, if a permit for work described in the application is issued, I certify that the code official's authorized representative shall have the authority to enter all areas covered by such permit at any reasonable hour to enforce the provision of the code(s) applicable to such permit.

SIGNATURE OF APPLICANT	ADDRESS	DATE	PHONE
RESPONSIBLE PERSON IN CHARGE OF WORK, TITLE		DATE	PHONE

City of Portland, Maine - Building or Use Permit

389 Congress Street, 04101 Tel: (207) 874-8703, Fax: (207) 874-8716

Permit No: 04-0575	Date Applied For: 05/11/2004	CBL: 181 B001001
------------------------------	--	----------------------------

Location of Construction: 51 Leeman St	Owner Name: Hebert Michael J &	Owner Address: 51 Leeman St	Phone: () 774-8283
Business Name:	Contractor Name: self	Contractor Address: Portland	Phone:
Lessee/Buyer's Name	Phone:	Permit Type: Additions - Dwellings	

Proposed Use: Single Family w/deck	Proposed Project Description: 10' x 16' deck w/stairs
--	---

Dept: Zoning **Status:** Approved **Reviewer:** Jeanine Bourke **Approval Date:** 05/24/2004
Note: 5/18/04 Did a site visit to evaluate the orientation of the structure and determine front property line w/owner **Ok to Issue:**
based on primary means of access. Verified that the front property line is actually on Westminster. Will meet again on 5/24 to review application.

Dept: Building **Status:** Approved **Reviewer:** Jeanine Bourke **Approval Date:** 05/24/2004
Note: **Ok to Issue:**
1) Permit approved based on the plans submitted and reviewed w/owner/contractor with additional information as agreed on and as noted on plans.

All Purpose Building Permit Application

If you or the property owner owes real estate or personal property taxes or user charges on any property within the City, payment arrangements must be made before permits of any kind are accepted.

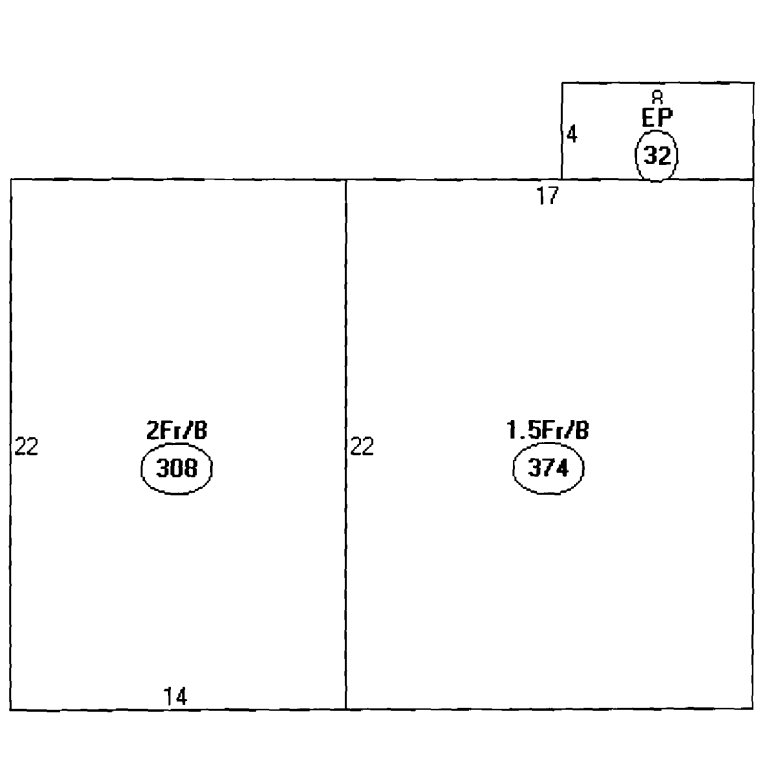
Location/Address of Construction: <u>51 Leeman</u>		
Total Square Footage of Proposed Structure <u>160 SF</u>	Square Footage of Lot <u>4,500 SF</u>	
Tax Assessor's Chart, Block & Lot Chart# <u>181</u> Block# <u>B</u> Lot# <u>1</u>	Owner: <u>Bev Hebert</u>	Telephone: <u>774-8283</u>
Lessee/Buyer's Name (If Applicable)	Applicant name, address & telephone:	Cost Of Work: \$ <u>1078.00</u> Fee: \$ <u>39.00</u>
Current use: <u>SF Home</u>		
If the location is currently vacant, what was prior use: _____		
Approximately how long has it been vacant: _____		
Proposed use: <u>SF Home</u>		
Project description: <u>10x16 Deck</u>		
Contractor's name, address & telephone: <u>Self</u>		
Who should we contact when the permit is ready: _____		
Mailing address: _____		
We will contact you by phone when the permit is ready. You must come in and pick up the permit and review the requirements before starting any work, with a Plan Reviewer. A stop work order will be issued and a \$100.00 fee if any work starts before the permit is picked up. PHONE:		

IF THE REQUIRED INFORMATION IS NOT INCLUDED IN THE SUBMISSIONS THE PERMIT WILL BE AUTOMATICALLY DENIED AT THE DISCRETION OF THE BUILDING/PLANNING DEPARTMENT, WE MAY REQUIRE ADDITIONAL INFORMATION IN ORDER TO APPROVE THIS PERMIT.

I hereby certify that I am the Owner of record of the named property, or that the owner of record authorizes the proposed work and that I have been authorized by the owner to make this application as his/her authorized agent. I agree to conform to all applicable laws of this jurisdiction. In addition, if a permit for work described in this application is issued, I certify that the Code Official's authorized representative shall have the authority to enter all areas covered by this permit at any reasonable hour to enforce the provisions of the codes applicable to this permit.

Signature of applicant: <u>Bev Hebert</u>	Date: <u>5/24/04</u>
---	----------------------

**This is NOT a permit, you may not commence ANY work until the permit is issued.
If you are in a Historic District you may be subject to additional permitting and fees with the Planning Department on the 4th floor of City Hall**



Descriptor/Area

- A: 1.5Fr/B
374 sqft
- B: 2Fr/B
308 sqft
- C: EP
32 sqft

714
160 Deck

874 SF

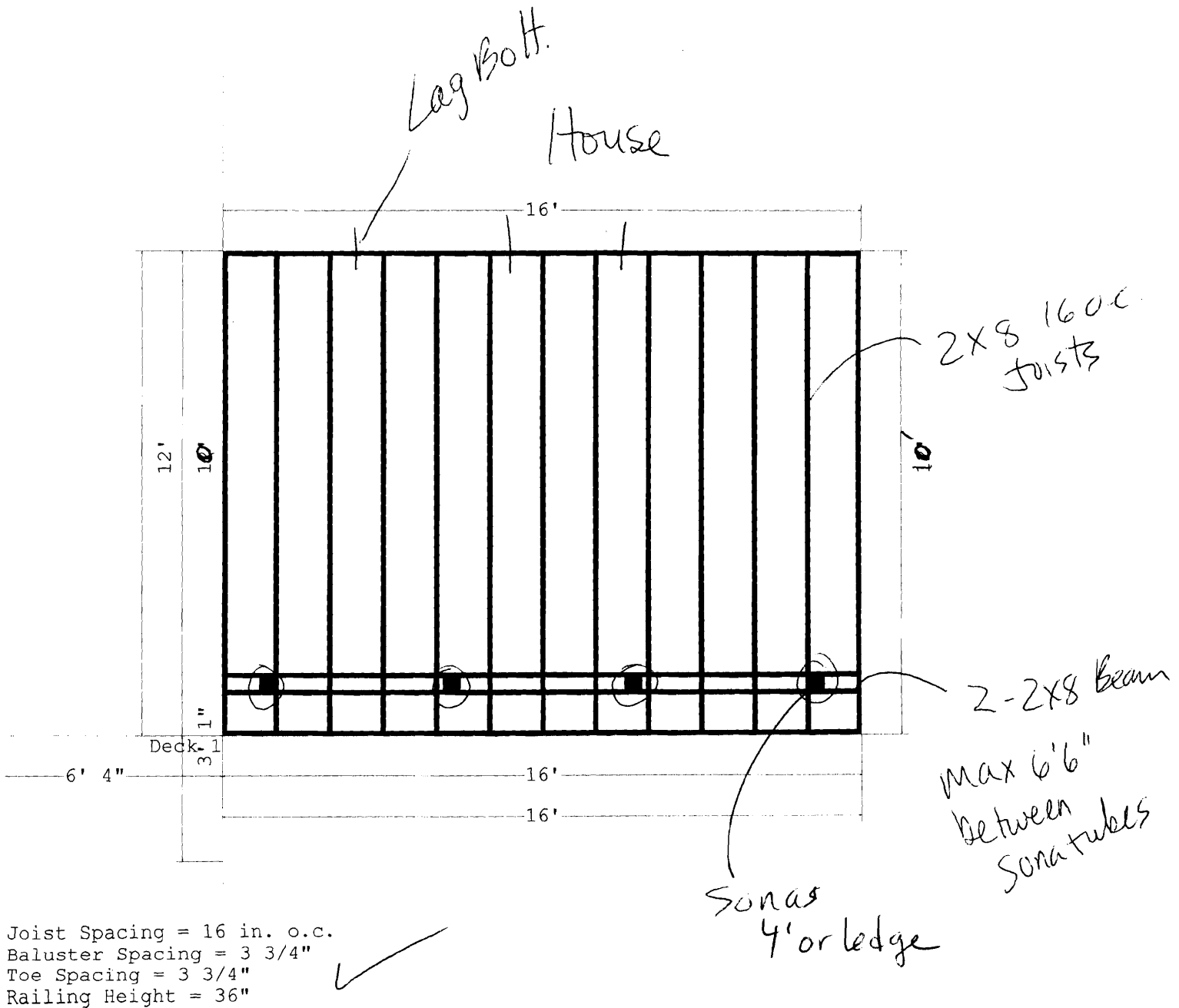
DK

Lot: 4500
 x 25%

 1,125

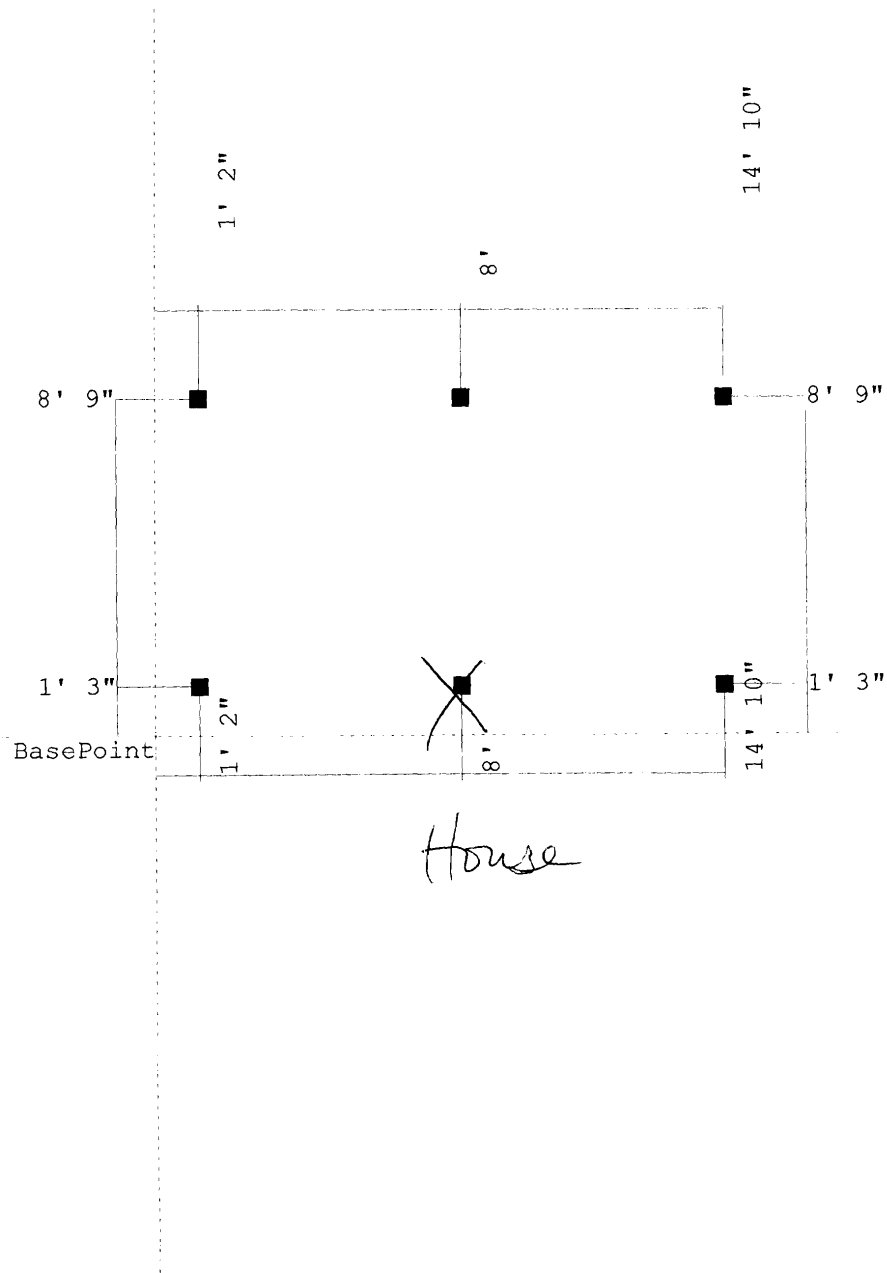
The Home Depot # 2401
245 RIVERSIDE STREET, PORTLAND, ME 04103
(207) 761-0600
Thu May 06 09:31:22 2004
This Project cannot be priced because not all materials are carried in stock.
See Store Associate for prices on non-stock items shown in Bill-of-Materials.

BEVERLY HEBERT
16X10 DECK
186168
Deck Dimensions for Deck 1



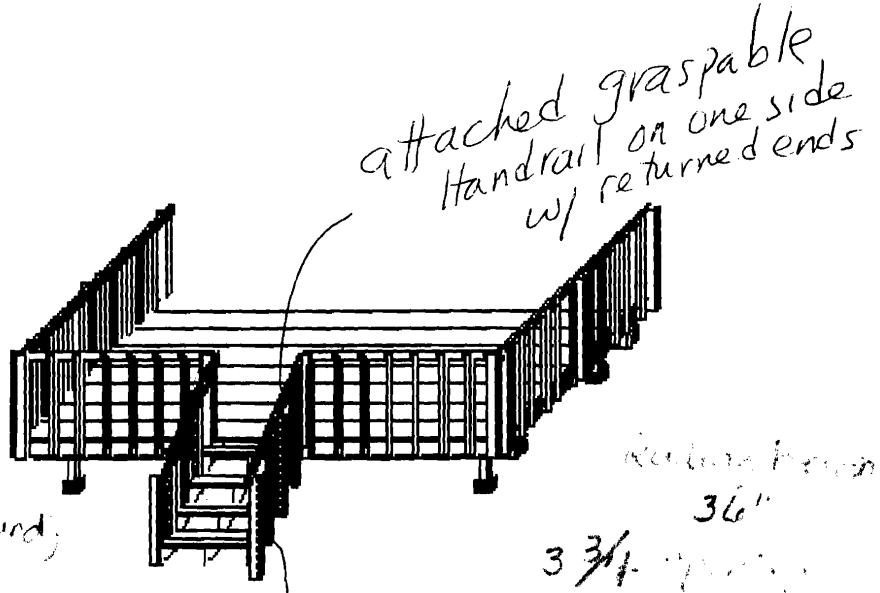
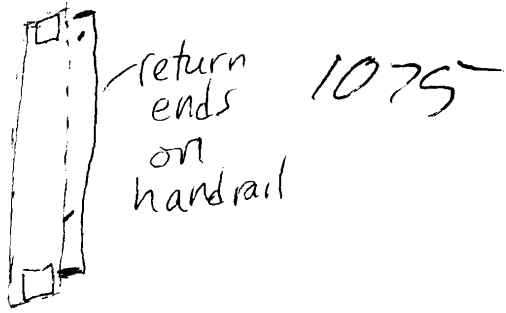
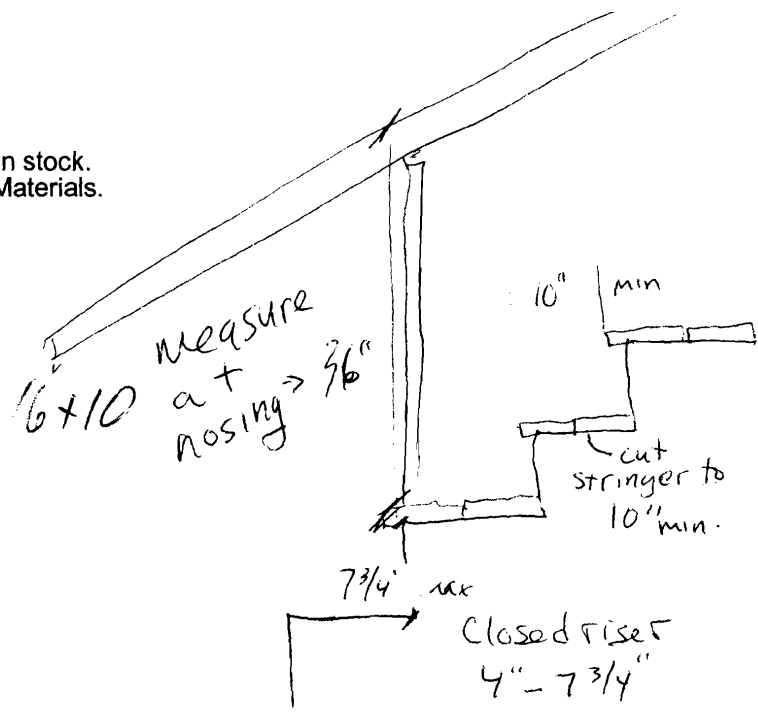
The Home Depot # 2401
245 RIVERSIDE STREET, PORTLAND, ME 04103
(207) 761-0600
Thu May 06 09:17:02 2004
This Project cannot be priced because not all materials are carried in stock.
See Store Associate for prices on non-stock items shown in Bill-of-Materials.

BEVERLY HEBERT
16X10 DECK
186165
Post Layout for Deck 1



The Home Depot # 2401
 245 RIVERSIDE STREET, PORTLAND, ME 04103
 (207) 761-0600
 Thu May 06 09:17:02 2004
 This Project cannot be priced because not all materials are carried in stock.
 See Store Associate for prices on non-stock items shown in Bill-of-Materials.

BEVERLY HEBERT
 16X10 DECK
 186165
 3D View



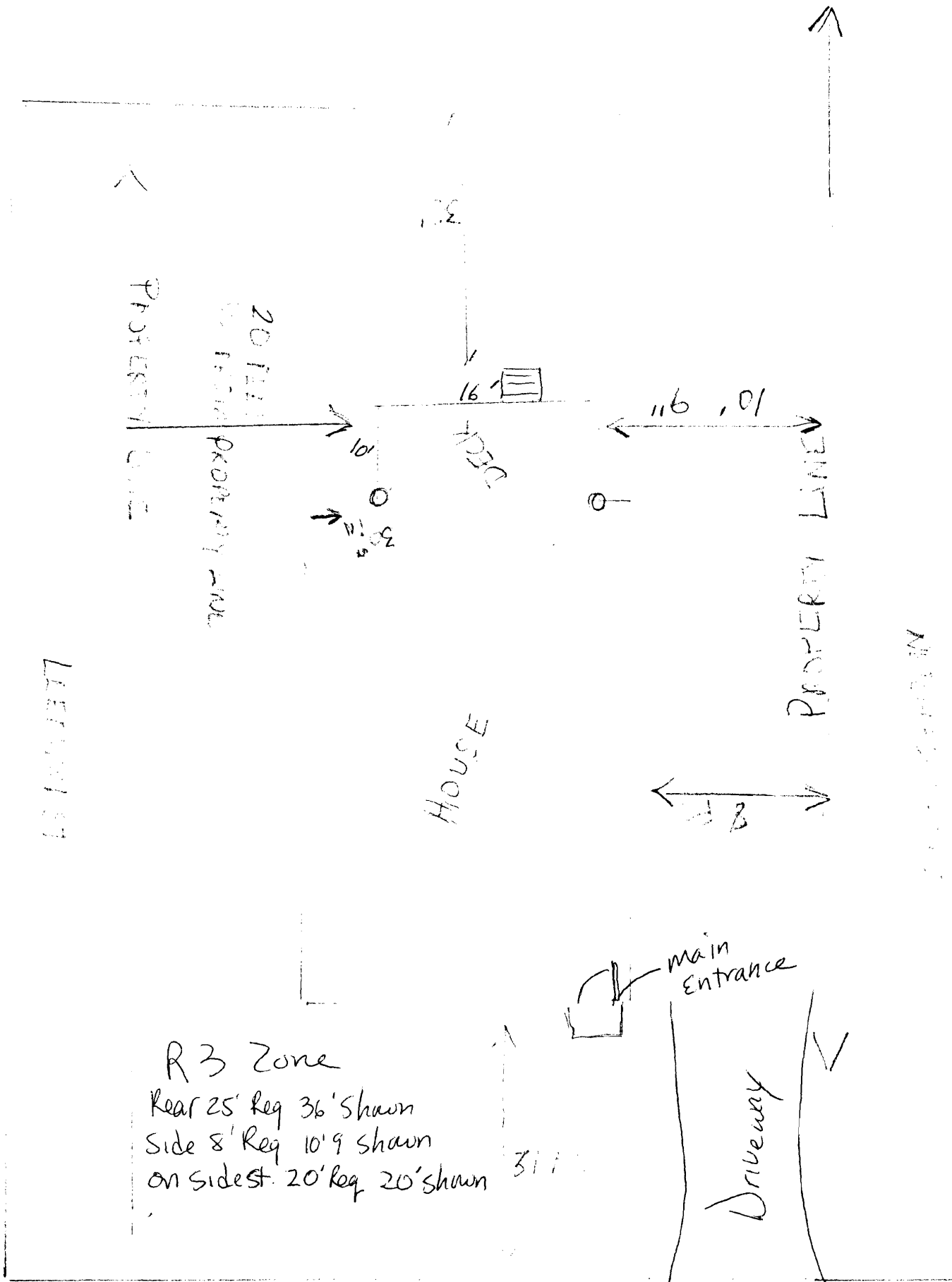
find
 go on date
 back half
 of what
 they
 tell
 me
 gross to
 stairs
 from my
 lot
 to
 access
 street.

then
 measure
 from
 that
 go 4 1/2 feet
 find
 rear
 perpendicular

Rise:
 Max: 7 3/4"

3 3/4" spacing
 between
 railings

Rear



R3 Zone

Rear 25' Req 36' shown
 Side 8' Req 10'9 shown
 on side st. 20' Req 20' shown

Front

WEST...

This page contains a detailed description of the Parcel ID you selected. Press the **New Search** button at the bottom of the screen to submit a new query.

5/11

3-330

Current Owner Information

915-930
5/18

Card Number 1 of 1
 Parcel ID 181 8001001
 Location 51 LEEMAN ST
 Land Use SINGLE FAMILY
 Owner Address HEBERT MICHAEL J & BEVERLY A JTS
 51 LEEMAN ST
 PORTLAND ME 04103

10 x 16 deck

64-0575
R3

Book/Page 14959/221
 Legal 181-B-1
 WESTMINSTER AVE 68-70
 LEEMAN ST 51-57
 4500 SF

Valuation Information

Land \$29,820 Building \$47,360 Total \$77,180

774-8283

Property Information

Year Built 1947	Style Cape	Story Height 1.5	Sq. Ft. 1270	Total Acres 0.103	
Bedrooms 3	Full Baths 1	Half Baths 1	Total Rooms 6	Attic None	Basement Full

Outbuildings

Type	Quantity	Year Built	Size	Grade	Condition
------	----------	------------	------	-------	-----------

Sales Information

Date	Type	Price	Book/Page
08/06/1999	LAND + BLDING	\$112,700	14959-221
08/01/1991	LAND + BLDING	\$43,000	09698-108

Picture and Sketch

Picture

Sketch

[Click here](#) to view Tax Roll Information.

Any information concerning tax payments should be directed to the Treasury office at 874-8490 or e-mailed.

New Search!





QUOTE

Store 2401 PORTLAND
245 RIVERSIDE STREET
PORTLAND, ME 04103

Phone: (207) 761-0600
Salesperson: CMN643
Reviewer:

QUOTE

SOLD TO	Name HEBERT BEVERLY		Home Phone (207) 774-8283	
	Address 51 LEEMAN ST		Work Phone () -	
	Company Name			
	City PORTLAND		Job Description 16X12 DECK	
	State ME		Zip 041032456 County	

2004-05-06 09:35
Prices Valid Thru: 05/07/2004

HOME DEPOT DELIVERY #1

MERCHANDISE AND SERVICE SUMMARY

We reserve the right to limit the quantities of merchandise sold to customers.

REF #V35

STOCK MERCHANDISE TO BE DELIVERED:

REF #	SKU	QTY	UM	DESCRIPTION	TAX	PRICE EACH	EXTENSION
R02	255-989	2.00	EA	2X12-12 #2 SYP .25 ACQ/CA /	Y	\$20.97	\$41.94
R03	261-392	2.00	EA	5/4X6-10 PREM PRESERVE PLUS /	Y	\$8.69	\$17.38
R04	261-124	1.00	EA	5/4X6-8 PREM PRESERVE PLUS /	Y	\$6.69	\$6.69
R05	254-258	7.00	EA	2X4-8 #1 SYP .25 ACQ/CA /	Y	\$2.97	\$20.79
R06	254-258	7.00	EA	2X4-8 #1 SYP .25 ACQ/CA /	Y	\$2.97	\$20.79
R07	865-858	12.00	EA	ZMAX 2X8 JOIST HANGER ✓	Y	\$0.65	\$7.80
R08	208-227	4.00	EA	POST BASE 4X4 Z-MAX	Y	\$1.90	\$7.61
R09	544-208	4.00	EA	CARRIAGE BOLT-GALV. 1/2 X 8 ✓	Y	\$2.20	\$8.80
R10	538-892	4.00	EA	HEX NUT GALV. 1/2 /	Y	\$0.21	\$0.84
R11	538-981	4.00	EA	FLAT CUT WASHER GALV 1/2 /	Y	\$0.19	\$0.76
R12	735-002	1.00	EA	GREEN 5LB 2 1/2IN DECKMATE DECK SCRW/	Y	\$23.93	\$23.93
R13	544-208	8.00	EA	CARRIAGE BOLT-GALV. 1/2 X 8 /	Y	\$2.20	\$17.60
R14	538-892	8.00	EA	HEX NUT GALV 1/2 /	Y	\$0.21	\$1.68
R15	538-981	8.00	EA	FLAT CUT WASHER GALV 1/2 /	Y	\$0.19	\$1.52
R16	169-765	8.00	EA	80LB. CONCRETE MIX /	Y	\$2.77	\$22.16
R17	735-003	2.00	EA	GREEN 5LB 3 IN DECKMATE DECK SCRW /	Y	\$23.93	\$47.86
R18	462-810	1.00	PK	10D JOIST HANGER NAILS /	Y	\$2.39	\$2.39

*** CONTINUED ON NEXT PAGE ***

HOME DEPOT DELIVERY #1

(Continued)

REF #V35

STOCK MERCHANDISE TO BE DELIVERED:

REF #	SKU	QTY	UM	DESCRIPTION	TAX	PRICE EACH	EXTENSION
R19	192-708	1.00	EA	16D 3-1/2" HOT GALV COMMON 5 LB /	Y	\$7.90	\$7.90
R20	538-981	13.00	EA	FLAT CUT WASHER GALV 1/2 /	Y	\$0.19	\$2.47
R21	928-607	13.00	EA	LAG SCREW GALV 1/2 X 6 /	Y	\$1.97	\$25.61
R22	544-208	28.00	EA	CARRIAGE BOLT-GALV. 1/2 X 8 /	Y	\$2.20	\$61.60
R23	538-892	28.00	EA	HEX NUT GALV 1/2 /	Y	\$0.21	\$5.88
R24	538-981	28.00	EA	FLAT CUT WASHER GALV 1/2 /	Y	\$0.19	\$5.32
R25	735-002	1.00	EA	GREEN 5LB 2 1/2IN DECKMATE DECK SCRW/	Y	\$23.93	\$23.93
R26	557-285	92.00	EA	2X2-42IN. NO.1 SINGLE POINT BALUSTER/	Y	\$0.97	\$89.24
R27	255-457	2.00	EA	2X6-16 #1 SYP .25 ACQ/CA /	Y	\$12.79	\$25.58
R28	261-586	26.00	EA	5/4X6-16 PREM PRESERVE PLUS /	Y	\$14.97	\$389.22
R29	254-258	7.00	EA	2X4-8 #1 SYP .25 ACQ/CA /	Y	\$2.97	\$20.79
R30	261-124	7.00	EA	5/4X6-8 PREM PRESERVE PLUS /	Y	\$6.69	\$46.83
R31	255-676	13.00	EA	2X8-12 #1 SYP .25 ACQ/CA /	Y	\$11.89	\$154.57
R32	255-677	1.00	EA	2X8-16 #1 SYP .25 ACQ/CA /	Y	\$16.69	\$16.69
R33	255-677	1.00	EA	2X8-16 #1 SYP .25 ACQ/CA /	Y	\$16.69	\$16.69
R34	256-276	8.00	EA	4X4-8 #2 ACQ/CA /	Y	\$6.97	\$55.76

MERCHANDISE TOTAL: \$1,198.62

DELIVERY INFORMATION:

V35	515-663	1.00	EA	CURBSIDE DELIVERY SERVICE	Y	\$55.00	\$55.00
						DELIVERY SERVICE SUBTOTAL:	\$55.00

HOME DEPOT WILL DELIVER MDSE TO: HEBERT, BEVERLY

ADDRESS: 51 LEEMAN ST

CITY: PORTLAND

STATE: ME

ZIP: 041032456

COUNTY:

SALES TAX RATE: 5.000

PHONE: (207) 774-8283

MDSE & DELIVERY TOTALS: \$1,253.62

END OF HOME DEPOT DELIVERY REF #V35

TOTAL CHARGES OF ALL MERCHANDISE & SERVICES

ORDER TOTAL	\$1,253.62
SALES TAX	\$62.69
TOTAL	\$1,316.31
BALANCE DUE	\$1,316.31

END OF ORDER No. 2401-186168



LELAND STREET

BARTLETT ST

SHEET 133-D

SHEET 180-C

H

PRESUMPSCOT PARK

G

PRESUMPSCOT PARK

LELAND STREET

LELAND STREET

STREET

LUDLOW

ROAD

AVENUE SHEET 183-C

WESTMINSTER AVENUE

MERRIAM STREET

SEWER R/W

B

COLUMBIA

EDGEWORTH AVENUE SHEET 183-C

AVENUE SHEET 176-D

STREET

LEEMAN

ROSEMONT

WESTMINSTER

AVENUE SHEET 183-C

A

C

E

D

3/26/09 - Schedule of 7 units, 3000 sq ft
Scale trees (Ginn) side, 2000 sq ft
1st floor. 1st floor. 1st floor. 1st floor
1st floor. 1st floor. 1st floor. 1st floor

3-26-09 EXPIRED, NO FINAL REPORTS