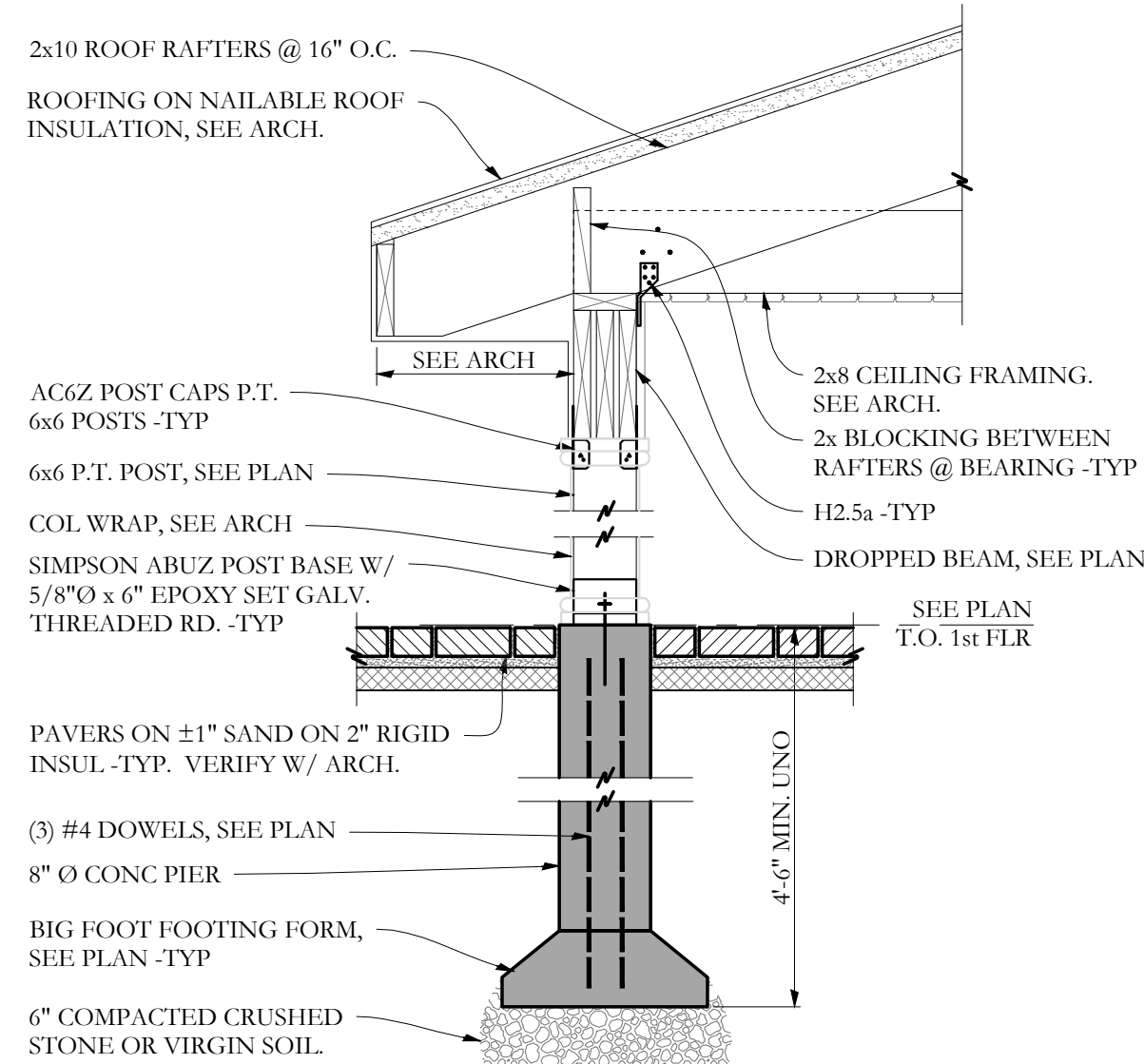
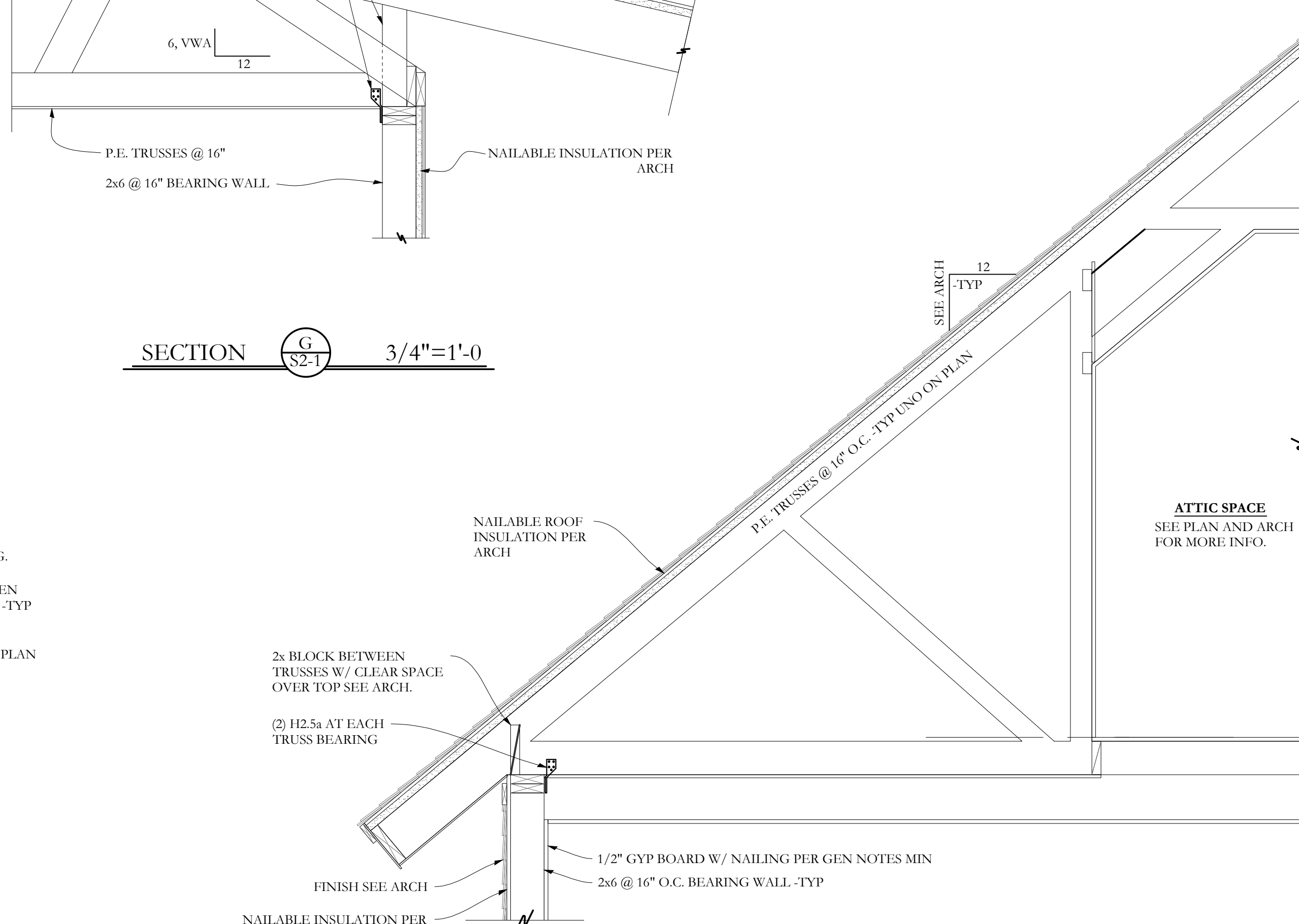




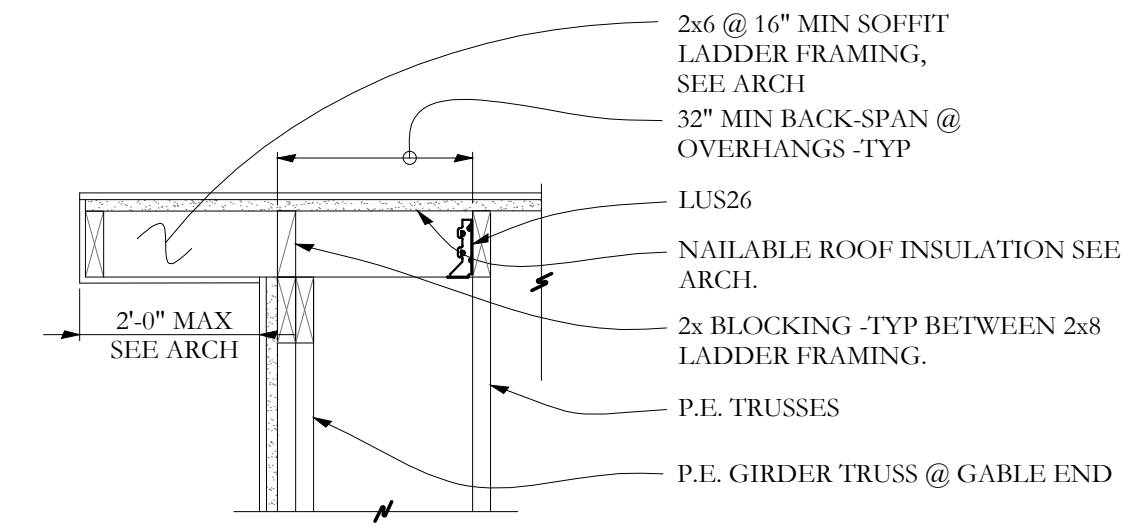
SECTION **G** 3/4"=1'-0



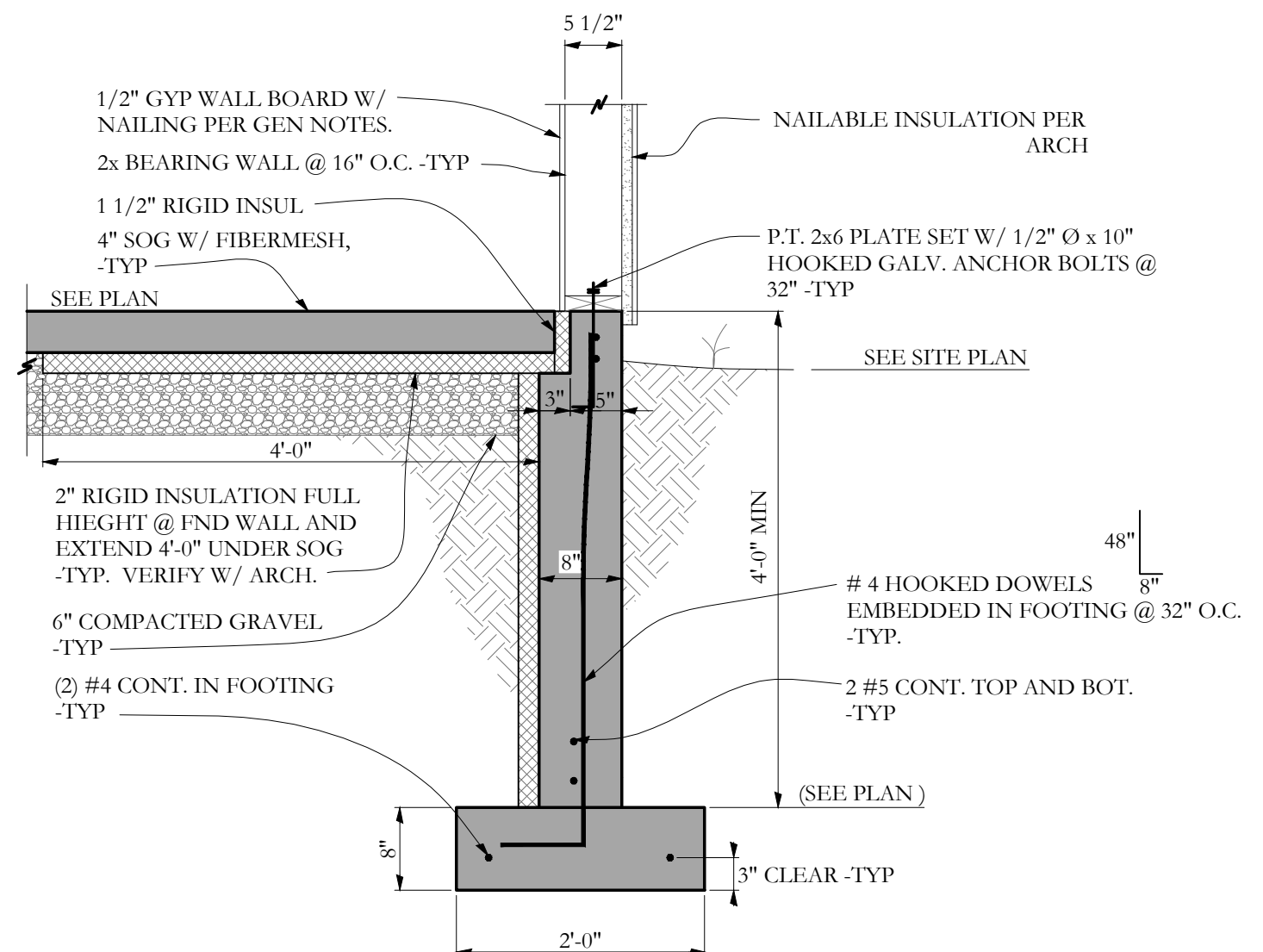
SECTION **D** 3/4"=1'-0



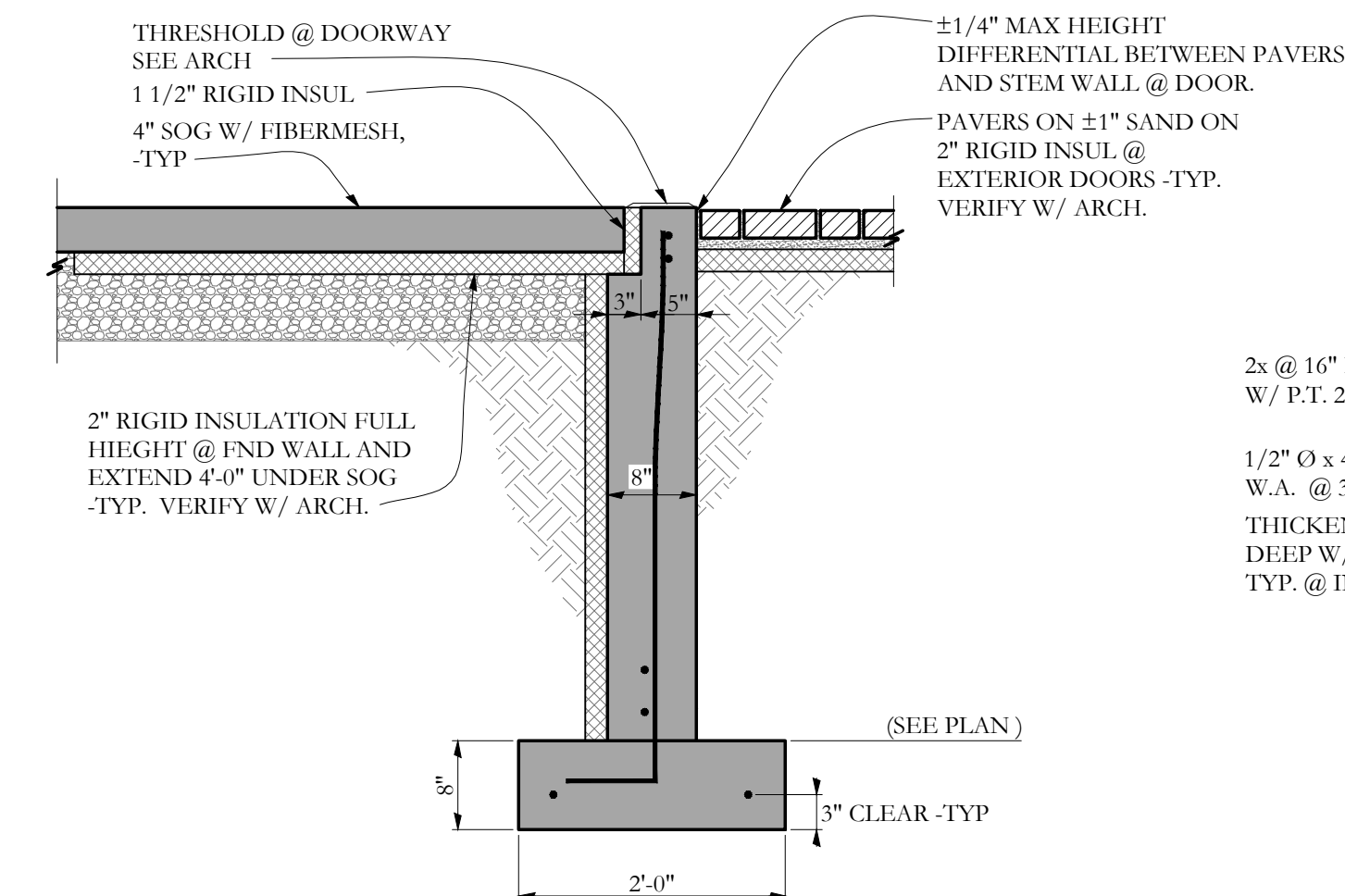
SECTION **E** 3/4"=1'-0



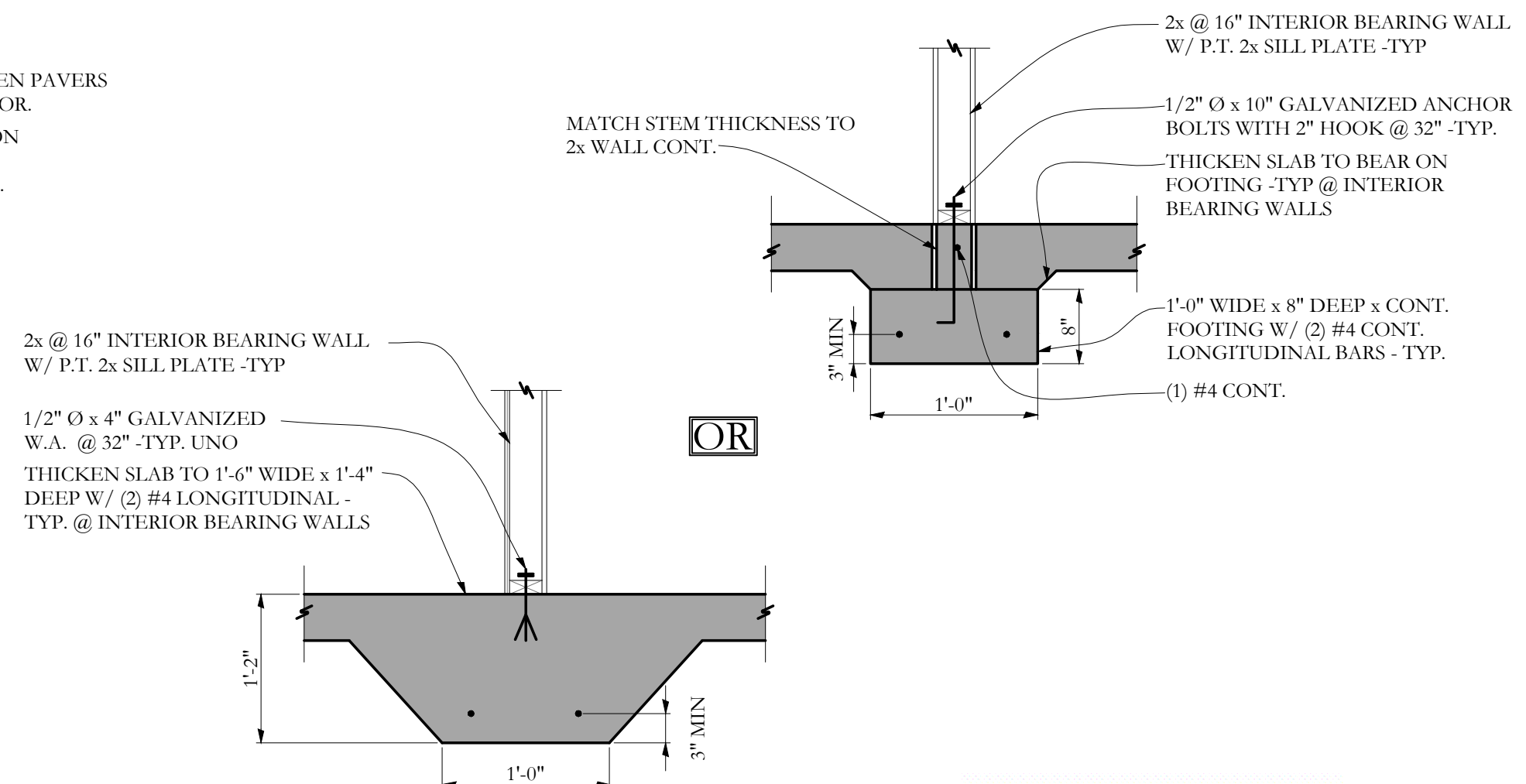
SECTION **F** 3/4"=1'-0



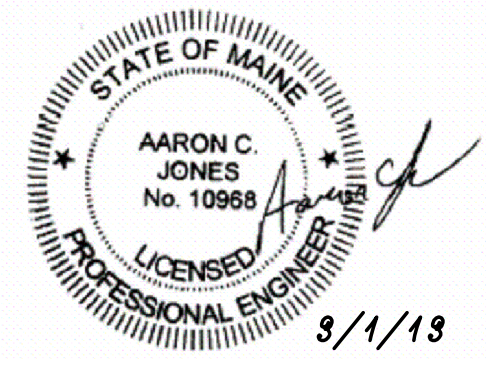
SECTION **A** 3/4"=1'-0



SECTION **B** 3/4"=1'-0



SECTION **C** 3/4"=1'-0



77 Oak Street  
Portland, ME, 04101  
p. 207-774-4614  
f. 866-793-7835  
www.structuralintegrity.com