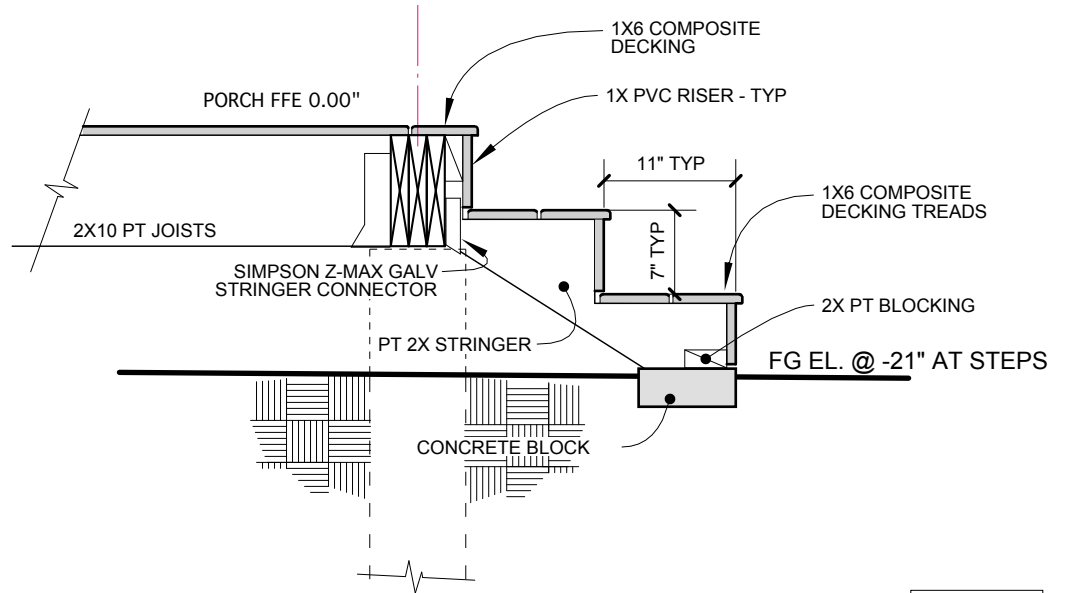


DETAIL 1
SECTION DETAIL AT FOUNDATION



DETAIL 2
SECTION DETAIL AT STEPS

A4

21 FULLER STREET
DECK ADDITION
FRAMING DETAILS - 3/4" = 1'-0"
6/2/2017