

City of Portland, Maine - Building or Use Permit Application

389 Congress Street, 04101 Tel: (207) 874-8703, Fax: (207) 874-8716

Permit No: 06-1571	Issue Date:	CBL: E21 180 D001001
-----------------------	-------------	--------------------------------

Location of Construction: 83 MADELINE ST	Owner Name: MERMIN JONATHAN G & NAO	Owner Address: 83 MADELINE ST	Phone:
Business Name:	Contractor Name: Frost N Flame	Contractor Address: 629 Main St. Gorham	Phone: 2078567000
Lessee/Buyer's Name	Phone:	Permit Type: HVAC	Zone: R-3

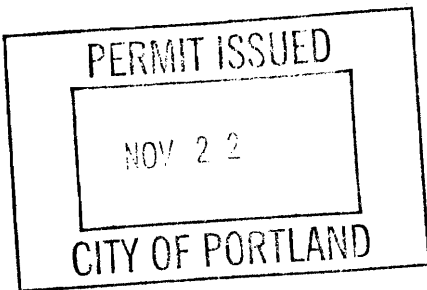
Past Use: Single Family	Proposed Use: Single Family install a Joutul	Permit Fee:	Cost of Work: \$0.00	CEO District: 5
Proposed Project Description: Install Joutul Stove		FIRE DEPT: <input type="checkbox"/> Approved <input type="checkbox"/> Denied <i>N/A</i>	INSPECTION: Use Group: U Type: HVAC <i>Manufacturers Spec State Rules</i>	
		Signature:	Signature:	

PEDESTRIAN ACTIVITIES DISTRICT (P.A.D.)	
Action: <input type="checkbox"/> Approved <input type="checkbox"/> Approved w/Conditions <input type="checkbox"/> Denied	Signature: _____ Date: _____

Permit Taken By: dmartin	Date Applied For: 10/25/2006	Zoning Approval
-----------------------------	---------------------------------	------------------------

- This permit application does not preclude the Applicant(s) from meeting applicable State and Federal Rules.
- Building permits do not include plumbing, septic or electrical work.
- Building permits are void if work is not started within six (6) months of the date of issuance. False information may invalidate a building permit and stop all work..

Special Zone or Reviews <input type="checkbox"/> Shoreland <input type="checkbox"/> Wetland <input type="checkbox"/> Flood Zone <input type="checkbox"/> Subdivision <input type="checkbox"/> Site Plan Maj <input type="checkbox"/> Minor <input type="checkbox"/> MM <input type="checkbox"/> <input type="checkbox"/> Denied Date: <i>10/27/06</i>	Zoning Appeal <input type="checkbox"/> Variance <input type="checkbox"/> Miscellaneous <input type="checkbox"/> Conditional Use <input type="checkbox"/> Interpretation <input type="checkbox"/> Approved <input type="checkbox"/> Denied Date: _____	Historic Preservation <input checked="" type="checkbox"/> Not in District or Landmark <input type="checkbox"/> Does Not Require Review <input type="checkbox"/> Requires Review <input type="checkbox"/> Approved <input type="checkbox"/> Approved w/Conditions <input type="checkbox"/> Denied Date: _____
---	---	--



CERTIFICATION

I hereby certify that I am the owner of record of the named property, or that the proposed work is authorized by the owner of record and that I have been authorized by the owner to make this application as his authorized agent and I agree to conform to all applicable laws of this jurisdiction. In addition, if a permit for work described in the application is issued, I certify that the code official's authorized representative shall have the authority to enter all areas covered by such permit at any reasonable hour to enforce the provision of the code(s) applicable to such permit.

SIGNATURE OF APPLICANT	ADDRESS	DATE	PHONE
RESPONSIBLE PERSON IN CHARGE OF WORK, TITLE		DATE	PHONE



FILL IN AND SIGN WITH INK

180 0001

APPLICATION FOR PERMIT HEATING OR POWER EQUIPMENT

To the INSPECTOR OF BUILDINGS, PORTLAND, ME.

The undersigned hereby applies for a permit to install the following heating, cooking or power equipment in accordance with the Laws of Maine, the Building Code of the City of Portland, and the following specifications:

Location / CBL _____ Use of Building _____ Date 10-25-06
 Name and address of owner of appliance NAOMI MAX MIN
83 MADELINE ST. PORTLAND 04103
 Installer's name and address FROST + FLAME 629 MAIN ST.
GORHAM ME. 04038 Telephone 856 1000 - 7000

Location of appliance:

- Basement Floor
 Attic Roof

Type of Fuel:

- Gas Oil Solid

Appliance Name: TOTAL NORDIC F100

U.L. Approved Yes No

Will appliance be installed in accordance with the manufacture's installation instructions? Yes No

IF NO Explain: _____

Type of Chimney:

- Masonry Lined
 Factory built _____
 Metal
 Factory Built U.L. Listing # _____
 Direct Vent
 Type _____ UL# _____

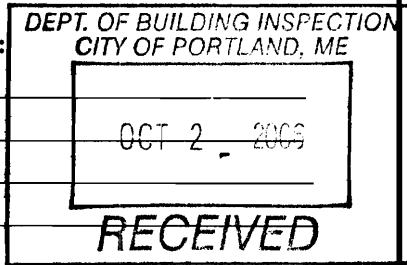
Type of Fuel Tank

- Oil
 Gas

Size of Tank _____

The Type of License of Installer:

- Master Plumber # _____
 Solid Fuel # _____
 Oil # _____
 Gas # _____
 Other _____



Number of Tanks _____

Distance from Tank to Center of Flame _____ feet.

Cost of Work: \$ 4000.00

Permit Fee: \$ 60

Approved

Fire: _____
 Ele.: _____
 Bldg.: _____

Approved with Conditions

- See attached letter or requirement

Inspector's Signature _____

Date Approved _____

Signature of Installer MC Bennett

White - Inspection

Yellow - File

Pink - Applicant's

Gold - Assessor's Copy

115080

City of Portland, Maine - Building or Use Permit

389 Congress Street, 04101 Tel: (207) 874-8703, Fax: (207) 874-8716

Permit No: 06-1571	Date Applied For: 10/25/2006	CBL: 180 D001001
------------------------------	--	----------------------------

Location of Construction: 83 MADELINE ST	Owner Name: MERMIN JONATHAN G & NAO	Owner Address: 83 MADELINE ST	Phone:
Business Name:	Contractor Name: Frost N Flame	Contractor Address: 629 Main St. Gorham	Phone (207) 856-7000
Lessee/Buyer's Name	Phone:	Permit Type: HVAC	

Proposed Use: Single Family install a Jotul stove	Proposed Project Description: install a Jotul stove
---	---

Dept: Zoning **Status:** Approved with Conditions **Reviewer:** Marge Schmuckal **Approval Date:** 10/27/2006

Note: **Ok to Issue:**

- 1) This permit is being approved on the basis of plans submitted. Any deviations shall require a separate approval before starting that work.
- 2) This is NOT an approval for an additional dwelling unit. You SHALL NOT add any additional kitchen equipment including, but not limited to items such as stoves, microwaves, refrigerators, or kitchen sinks, etc. Without special approvals.
- 3) This property shall remain a single family dwelling. Any change of use shall require a separate permit application for review and approval.
- 4) Separate permits shall be required for future decks, sheds, pools, and/or garages.

Dept: Building **Status:** Approved with Conditions **Reviewer:** Tammy Munson **Approval Date:** 11/01/2006

Note: **Ok to Issue:**

- 1) A copy of the enclosed chimney disclosure must be submitted to this office upon completion of the permitted work or for the Certificate of Occupancy.
- 2) Equipment must be installed in compliance with the manufacturer's specifications

SEBAGO LAKE POOLS/ROYAL IMPROVEMENTS, INC.
FROST N' FLAME

JOB INVOICE

629 Main St.
 Gorham, ME 04038
 856-1000 856-7000
 Fax 856-1164

889 Roosevelt Trail
 N. Windham, ME 04062
 893-3483 893-2876

To NAOMI MELANIN

23 MAVERICK ST Town: PORTLAND

State: ME Zip Code: 04103

Directions: From Portland to Portland, ME on

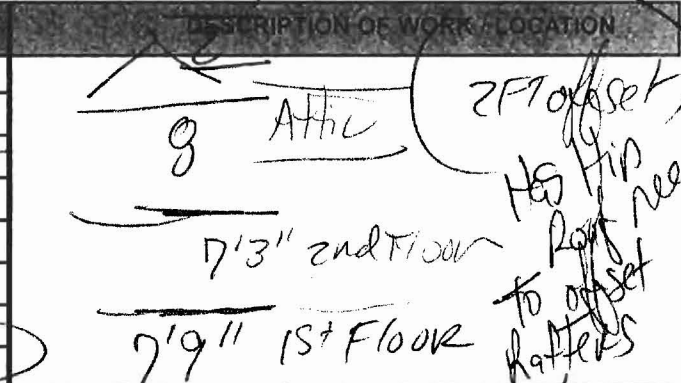
MAVERICK ST. TURN RIGHT ON MAVERICK ST. LAST HOUSE ON BLOCK TO

THE HOUSE.

Natural cedar Shingles on Front

HM. PHONE 775-1971	WK PHONE 253-1124
CELL PHONE	
DATE OF ORDER 10/7/06	ORDER TAKEN BY TROY
CONTRACTOR get permit	
PHONE #	FAX #
MAILING ADDRESS	

QTY	DESCRIPTION OF WORK / LOCATION	PRICE
	WOODSTONE	
1	30" x 48" NORDIC FLOOR	444.00
	with Rock Heat Shield	
1	Heartpad 40x40 Contemporary Standard	496.00
	Vertical Glass & Chimney	
	1st Floor Install Custom Heatshield	
	2nd Floor on (R) Side	195.00
1	Firestop on Wall	
15	Floor Double wall pipe	
1	8647 60" Double wall pipe	175.00
1	8687 12" " " pipe	49.22
1	8690 Adapter section	45.00
1	9484 Cap	70.00
1	9359 Storm collar	12.00
1	9449 Flashing	65.00
2	9466 30" Elbows	330.00
1	9463 Roof Support	65.00
1	9448A Roof Support trim collar	50.00
3	9407GA 4FT Galvanized 3x160	400.00
1	9404 18" length	85.00
1	9403 12" length	65.00
1	9402 6" length	55.00
2	9406 3FT length	302.00
	Chimney System	1949.20
TOTAL MATERIALS:		3198.00



GAS LINE INSTALLATION		QUOTE
COST OF ANY PROPANE NOT INCLUDED		Note!
Customer Responsible to		
Enclose pipe in 2nd Floor		
(36" High)		
Knotch for map Board		
GAS LINE MATERIALS 1" x 9"		
GAS LINE LABOR		
REGULATOR & GAS TANK PROPERTY OF WEBBER ENERGY		
LABOR	HRS	RATE
LABOR TO INSTALL		
STONE + CHIMNEY		745.00

LABOR	HRS	RATE	AMOUNT
LABOR TO INSTALL			
STONE + CHIMNEY			745.00

PERMIT FEE IF REQUIRED	
ADDITIONAL SHIPPING COST	
JOB LABOR	745.00
MATERIALS	3198.00
MATERIALS FOR GAS LINE	
GAS LINE LABOR	
TAX	159.90
TOTAL	4102.90

PD M.C. - SITE INSPECTION	25.00
BALANCE DUE	4077.90
Heatshield	1195.00

20% Restocking Fee for ANY returned or cancelled materials!

I, the customer, have read the back of contract for terms & conditions of sale, and has signed back page

Work ordered by Naomi Melanin
 Signature

I hereby acknowledge the satisfactory completion of the above described work

ANY PERMITS REQUIRED ARE CUSTOMER'S RESPONSIBILITY

50% DEPOSIT TO ORDER: 2,141.32 on Visa
 BALANCE DUE UPON INSTALLATION: 8214.33

Circle One:

(Customer Required to Sign Back of Contract)

Thank You

Jøtul F 100 USA

Jøtul F 100 USA

Installation and Operating Instructions



Keep these instructions for future reference.

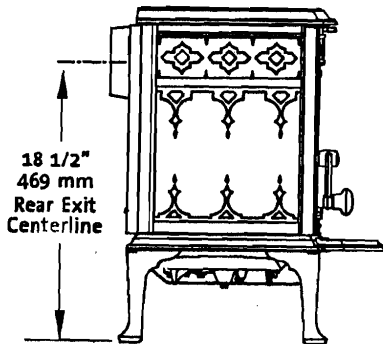
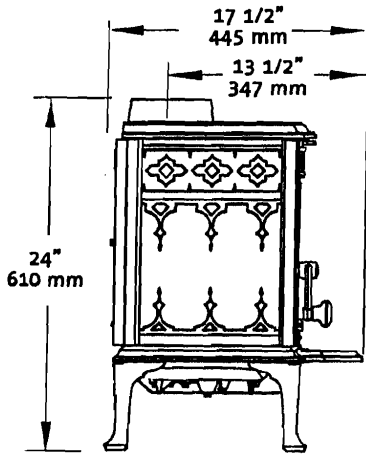
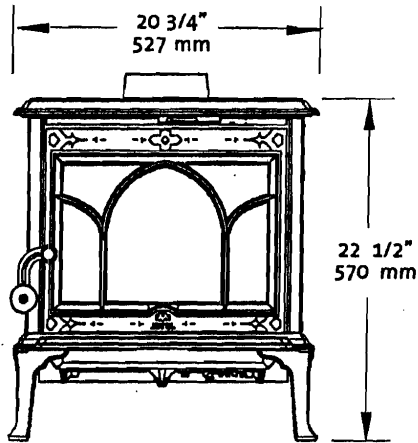


Table of Contents

Standards and Safety Notices

Standards / Codes	4
Safety Notices	5

Installation

Flue Collar Installation	5
Chimney Connector	6

Chimney Requirements

Masonry Chimneys	7
Prefabricated Chimneys	7
Chimney Height	7
Wall Pass-Throughs	8

Connecting to the Chimney

Masonry Chimneys	8
Hearthmount / Fireplaces	9
Prefabricated Chimneys	9

Clearances to Combustibles

Floor Protection	9
Clearances to Walls and Ceilings	10
Alcove Installation	10
Clearance Chart	12
Clearance Diagrams	13

Operation

Wood Fuel	14
Controls	14
Break-in Procedure	14
Starting / Maintaining the Fire	15
Formation of Creosote	15

Maintenance

Ash Removal	16
Glass Care	16
General Maintenance	17
Gaskets	17

Accessories

Stove-top Thermometer	17
Flue Collar Heat Shield	17

Illustrated Parts List	18-19
------------------------------	-------

inside the thimble to the inner surface or the flue liner. It may be necessary to make use of a thimble sleeve (a pipe with a slightly smaller diameter than standard stove pipe). See figure 6.

The connector pipe or thimble sleeve must not protrude into the flue liner or otherwise restrict draft.

Use refractory cement to seal the seam between the chimney connector, sleeve, and thimble.

Do not connect this stove to a chimney flue servicing another appliance of any kind.

Hearthmount into a Masonry Fireplace

The Jøtul F 100 may be installed into a masonry fireplace with a minimum opening height of 22 1/2" (572 mm). Building code requires that the fireplace damper plate be removed or securely fixed in the open position. A connector pipe must then extend from the stove's flue exit through the damper area of the fireplace and into the chimney tile liner. See figure 7.

The inside area of the flue liner must not be less than the area of the stove flue collar and cannot be more than three times greater than the cross sectional area of the stove flue collar.

If the chimney liner is too large to accommodate the stove, an approved relining system must be installed to resize the flue.

A new sheet metal damper block-off plate must be installed around the connector pipe at the damper frame and sealed with the proper sealant (usually High-Temp Silicone).

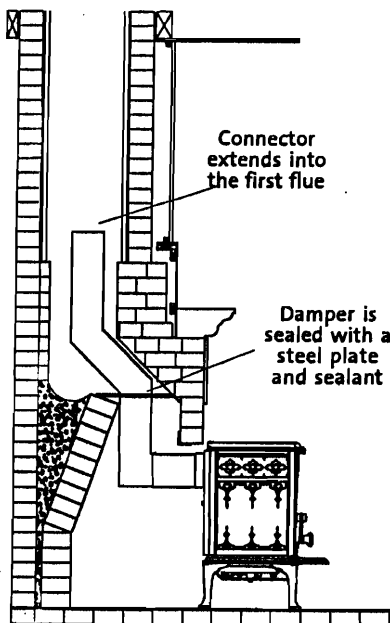


Figure 7. Hearthmount Installation.

Prefabricated Chimneys

When connecting the Jøtul F 100 to a prefabricated metal chimney always follow the pipe manufacturer's instructions and be sure to use the components that are required. This usually includes a "smoke pipe adapter" that is secured to the bottom section of the metal chimney and allows the chimney pipe to be secured to it with two sheet metal screws. See figure 8.

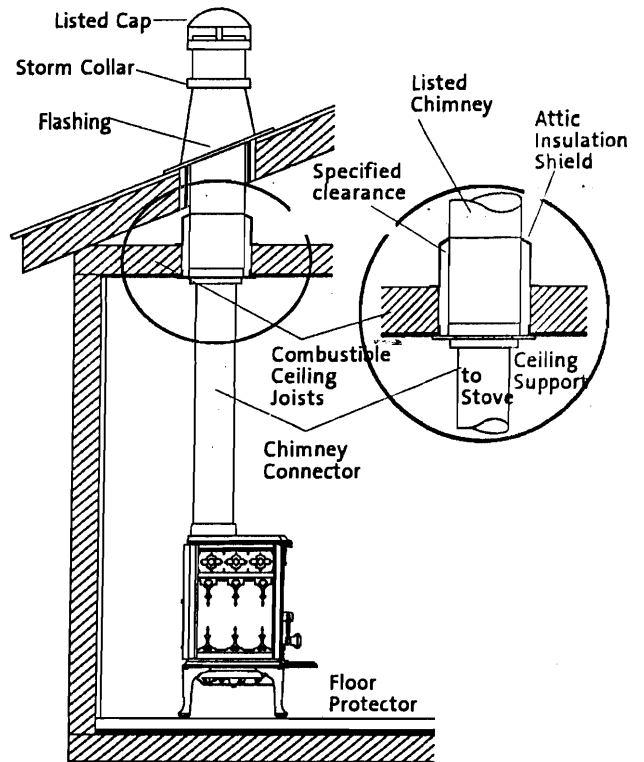


Figure 8. Prefabricated Listed Type HT Chimney.

USA/Canada

Clearance to Combustibles

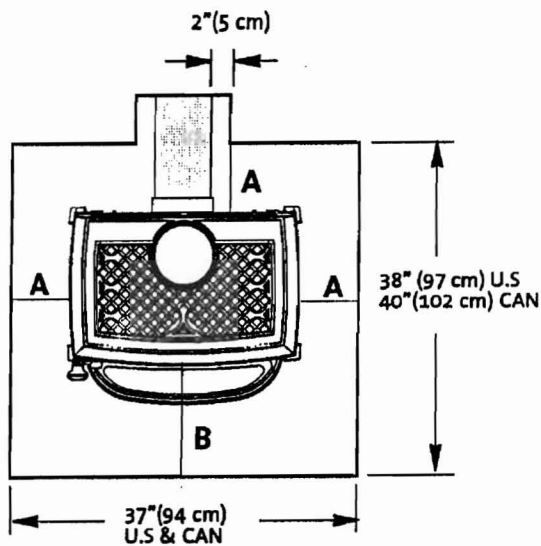


Figure 9. *Hearth Protection.*

- A: 8" (21 cm)
- B: 16" (41 cm) U.S.
- B: 18" (46 cm) CAN

Floor Protection

The Jøtul F 100 requires one of the following forms of hearth protection:

1. Any UL, ULC or WH listed hearth board. (No bottom heat shield required).
2. Any noncombustible material with use of the bottom heat shield.

All forms of protection must include a noncombustible surface extending forward from the glass panel at least 16" for the U.S., or 18" (46cm) for Canada. Protection must extend 8" (21 cm) from the sides and rear for both the U.S. and Canada.

This will result in a minimum floor protection of 37" W x 38" D for the U.S. or 37" W x 40" D for Canada. See figure 9.

In a rear vent installation, the floor protection must also extend under the stove pipe a minimum of 2" (50 mm) beyond either side of the pipe. See figure 9.

Clearances to Walls and Ceilings

The clearances listed and diagramed in this manual have been tested to UL and ULC standards and are the minimum clearances to combustible materials specifically established for the Jøtul F 100.

A combustible surface is anything that can burn (i.e. sheet rock, wall paper, wood, fabrics etc.). These surfaces are not limited to those that are visible and also include materials that are behind noncombustible materials.

If you are not sure of the combustible nature of a material, consult your local fire officials.

Remember: "Fire Resistant" materials are considered combustible; they are difficult to ignite, but will burn. Also "Fire-rated" sheet rock is also considered combustible.

Contact your local building officials about restrictions and installation requirements in your area.

See pages 12-13 for complete clearance requirements and diagrams.

Using Shields to Reduce Clearances

Chimney Connector Heat Shields: Use only connector heat shielding listed for use with solid fuel heaters. The connector heat shield must begin 1" above the lowest exposed point of the connector pipe and extend vertically a minimum of 25" (640 cm) above the top surface of the stove.

Double Wall Connector: Listed double wall pipe is an acceptable alternative to connector pipe heat shields. When using double wall connector, Flue Collar Heat Shield Kit 154997 must be installed on the stove.

Wall-Mounted Protection: When reducing clearances through the use of wall mounted protection:

In the U.S. refer to NFPA 211, Standard for Chimneys, Fireplaces, Vents and Solid Fuel Burning Appliances, for acceptable materials, proper sizing and construction guidelines.

In Canada, refer to CAN/CSA-B365, Installation Code for Solid-Fuel Burning Appliances and Equipment, also for acceptable materials, proper sizing and construction guidelines.

Notice: Many manufacturers have developed woodstove accessories that permit clearance reduction. Use only those accessories that have been tested by an independent laboratory and carry the laboratory's testing mark. Be sure to follow all of the manufacturer's instructions.

Clearances to Fireplace Mantels and Surround Trim

See the Clearance Chart on page 12 for approved clearances to combustibile materials that may be part of fireplace construction. See also fig. 12 on page 12

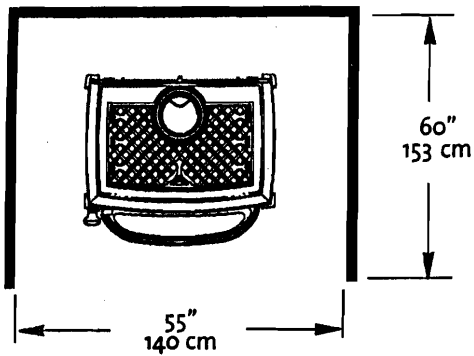


Figure 10. Alcove without Wall Protection.

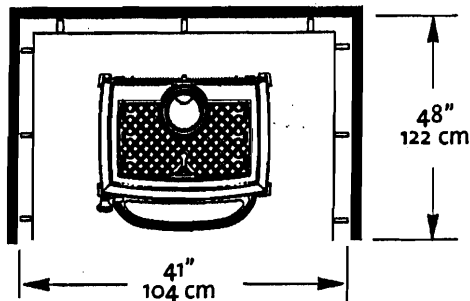


Figure 11. Alcove with Wall Protection.

Alcove Installation

The Jøtul F 100 can be installed in an Alcove as diagrammed in figures 10 and 11.

1. The stove must be installed with listed double wall pipe.
2. In a **protected** alcove installation both side walls and rear wall must be protected per NFPA 211 or CAN/CSA-B365. The wall protection must be elevated 1" (25 mm) from the floor and spaced at least 1" (25 mm) off the combustibile wall, using noncombustibile spacers, to allow for air circulation behind the shield.
3. The height of the wall protection including the bottom air space must be 48" (121 cm).
4. Alcove floor protection must consist of a UL/ULC or WHI listed hearth pad or a non combustibile material with a minimum R value of 2.0.
5. Minimum ceiling height in an **unprotected** installation, off the top of the stove is 60" (153 cm). The minimum ceiling height off the top of the stove in a **protected** ceiling installation is 48" (122 cm).

USA/Canada

Jøtul F 100 Clearance Chart

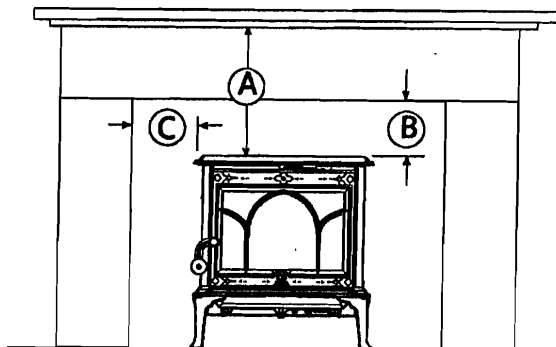
All clearances established with included stove rear heat shield installed.

Stove Clearances	Unprotected Surface Installation			Protected Surface PERPer Nfpa211 Or Can/Csa -b365-m93		
	Side A	Rear B	Corner* J	Side C	Rear D	Corner* K
Single-wall Connector	15" 381 mm	11" 280 mm	10" 254 mm	10" 254 mm	6" 150 mm	7" 178 mm
Single-wall Connector with Connector Shields or Double-wall Connector*	E 17" 432 mm	F 8" 203 mm	L 10" 254 mm	G 10" 254 mm	H 5" 127 mm	M 7" 178 mm
Chimney Connector Vertical Installation	Unprotected Surface Clearances			Protected Surface Vertical Installation		
	11" (280 mm)			6" (153 mm)		
Single-wall Connector with Connector Shields or Double-wall Connector*	8" (203 mm)			5" (127 mm)		
Chimney Connector Clearances	Unprotected Surface Horizontal Installation			Protected Surface Horizontal Installation per NFPA211 OR CAN/CSA-B365-M93		
Single-wall Connector	18" (457 mm)			12" (305 mm)		
Double-wall Connector*	Manufacturer's Listing			Manufacturer's Listing		

* Double Wall Connector must be installed with Flue Collar Heat Shield Kit 154996.

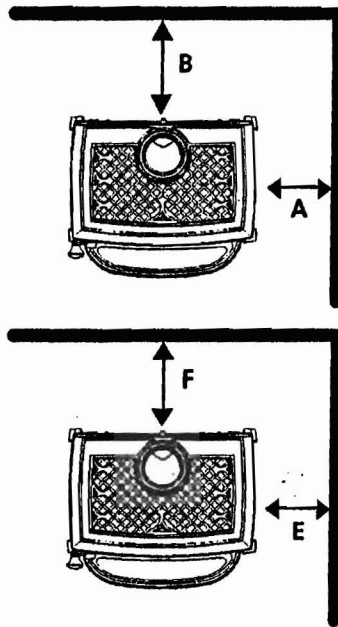
Mantel and trim clearances
Top and Side Trim is 1" thick or less
Maximum Mantel depth 12"

Figure 12

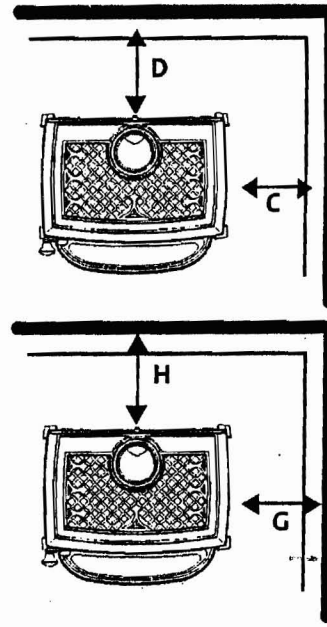


	Unprotected Surfaces	Protected Surfaces
A. Mantel	22" (560 mm)	9" (230 mm)
B: Top Trim	17" (430 mm)	8" (200 mm)
C: Side Trim	14" (355 mm)	7" (430 mm)

**Unprotected Surface
Parallel To The Wall**

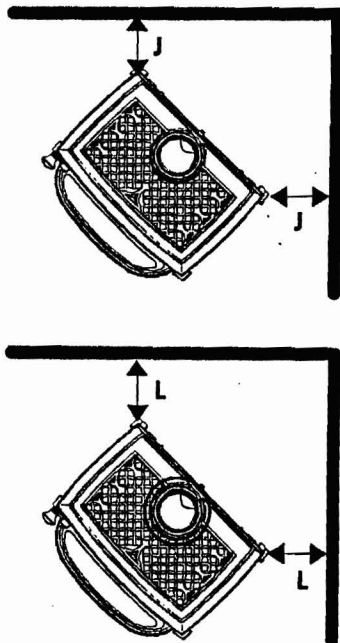


**Protected Surface
Parallel To The Wall**
PER NFPA 211 or
CAN/CSA-B365

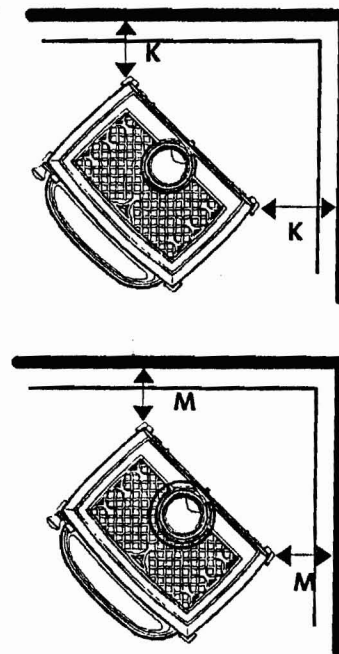


Important:
Connector heatshields and double wall pipe must be a listed product.
Always follow the manufacturer's instructions.

**Unprotected surface
corner installation**



**Protected surface
corner installation**
PER NFPA 211 or
CAN/CSA-B365



STATE OF MAINE CHIMNEY OR FIREPLACE CONSTRUCTION/INSTALLATION DISCLOSURE

Dear Consumer: State law, specifically 32 M.R.S.A. § 2313-A, requires that chimney or fireplace installers, as of January 1, 1992, provide you with this "Disclosure" prior to the installation or construction of your chimney or fireplace. The purpose of this Disclosure is to inform you that the National Fire Protection Standard #211 (NFPA #211) is the current standard which applies to all new construction of chimneys and fireplaces. Please note that the State of Maine does not require registration or licensure of chimney or fireplace installers. It is important to realize that many fires are caused each year from improperly constructed fireplaces and chimneys. This disclosure form should help you in making an informed decision as to the abilities of the installer and under what requirements the installation must comply.

INSTALLER INFORMATION

Name of Installer: <i>ROB ST. PIERRE</i>		D/B/A:	
Name of Installer (if incorporated):		D/B/A:	
Legal Address: <i>67 KINGSWOOD AVE</i>			
City: <i>HOLLIS</i>	State: <i>ME</i>	Zip Code: <i>04042</i>	
County: <i>CUMBERLAND</i>	Home Telephone: <i>(207) 727-5024</i>		
	Work Telephone: <i>() 671-1648</i>		
Years of experience doing fireplace or chimney installations:		<i>8 YRS</i>	

CONSUMER INFORMATION

Name of Consumer: <i>NAOMI MERMIN</i>		
Mailing Address: <i>83 MADELINE ST</i>		
City: <i>PORTLAND</i>	State: <i>MAINE</i>	Zip Code: <i>04103</i>
County: <i>CUMBERLAND</i>	Home Telephone: <i>(207) 775-1971</i>	
	Work Telephone: <i>(207) 332-6784</i>	

Installer, please give a brief description of installation being offered: *I am installing a listed 6" Class A chimney system inside dwelling to service a small wood stove*

I hereby attest that the preceding information provided is true to the best of my knowledge. I also understand that if I fail to conform with the standards as outlined in NFPA #211 that I shall be subject to penalties as outlined in Title 32, M.R.S.A., Chapter 33 and the Oil and Solid Fuel Board Rules.

Signature of Installer: *M. C. [Signature]* Date: *10-25-06*

USA/Canada

Installation and Operation Instructions for USA/Canada Installation et fonctionnement pour Canada

Safety notice: If this solid fuel room heater is not properly installed, a house fire may result. For your safety, follow the installation directions. Contact local building or fire officials about restrictions and installation inspection requirements in your area. Save these instructions for future reference.

Avis de sécurité: Une installation non appropriée de ce poêle de chauffage risque de provoquer un incendie. Assurez votre sécurité en respectant les directives d'installation suivantes. Consultez les autorités locales du bâtiment ou de la prévention des incendies au sujet des restrictions et exigences relatives aux inspections d'installations dans votre région.

*Tested and listed by ITS, Intertek Testing Services, Middleton, Wisconsin.
Tested to U.S. Standards: ANSI/UL 1482, Canadian Standards: CAN/ULC-S627-M93*



Standards

The Jøtul F 100 USA woodstove has been tested and listed to:

U.S. ANSI/UL 1482

Canada: CAN/ULC-S627-M93

Tests performed by:

ITS, Intertek Testing Services, Middleton, WI

Manufactured by:

Jøtul AS, P.O. Box 1411, N-1602 Fredrikstad, Norway

Distributed by:

Jøtul North America Inc, 55 Hutcherson Drive, Gorham, Maine 04038, USA

This heater meets the U.S. Environment Protection Agency's Emissions limits for wood heaters manufactured and sold after July 1, 1990.

Under specific test conditions, this heater has shown heat output at rates ranging from 7,700 to 27,000 BTU's per hour.

The Jøtul F 100 USA woodstove is *only* listed to burn wood. Do not burn any other fuels.

Read this entire manual before you install and use your new room heater.

Save these instructions and make them available to anyone using or servicing the stove.

Check Building Codes


When installing, operating and maintaining your Jøtul F 100 USA woodstove, follow the guidelines presented in these instructions, and make them available to anyone using or servicing the stove.

Your city, town, county or province may require a building permit to install a solid fuel burning appliance.

In the U.S., the National Fire Protection Association's Code, NFPA 211, *Standards for Chimneys, Fireplaces, Vents and Solid Fuel Burning Appliances*, or similar regulations, may apply to the installation of a solid fuel burning appliance in your area.


In Canada, the guideline is established by the CSA Standard, CAN/CSA-B365-M93, *Installation Code for Solid-Fuel-Burning Appliances and Equipment*.

Always consult your local building inspector or authority having jurisdiction to determine what regulations apply in your area.



NATIONAL FIREPLACE INSTITUTE
NFI
CERTIFIED
www.nficertified.org

We suggest that our woodburning hearth products be installed and serviced by professionals who are certified in the U.S. by the National Fireplace Institute® (NFI) as NFI Woodburning Specialists or who are certified in Canada by Wood Energy Technical Training (WETT).



Wood Energy Technical Training
www.wettinc.ca