

City of Portland, Maine – Building or Use Permit Application 389 Congress Street, 04101, Tel: (207) 874-8703, FAX: 874-8716

Location of Construction: 86 Alba St		Owner: Henry Downs		Phone: 774-6975	
Owner Address: SAA Ptld, ME 04103		Leasee/Buyer's Name:		Phone:	
Contractor Name:		Address:		Phone:	
Past Use: 1-fam		Proposed Use: Same		COST OF WORK: \$ 800.00 PERMIT FEE: \$ 25.00	
Proposed Project Description: Construct Shed - Under existing deck (11.5 x 8)		<input type="checkbox"/> Approved <input type="checkbox"/> Denied		INSPECTION: Use Group: 4 Type: 55 Signature: <i>[Signature]</i>	
		PEDESTRIAN ACTIVITIES DISTRICT (P.A.D.) Action: Approved <input type="checkbox"/> Approved with Conditions: <input type="checkbox"/> Denied <input type="checkbox"/> Signature: _____ Date: _____			
Permit Taken By: Mary Gresik		Date Applied For: 30 August 1996			

Permit No. **960869**

PERMIT ISSUED

Permit Issued:
SEP - 4 1996

CITY OF PORTLAND

Zone: *R-3* CBL: 179-G-026

Zoning Approval:

Special Zone or Reviews:

Shoreland
 Wetland
 Flood Zone
 Subdivision
 Site Plan maj minor mm

Zoning Appeal

Variance
 Miscellaneous
 Conditional Use
 Interpretation
 Approved
 Denied

1. This permit application doesn't preclude the Applicant(s) from meeting applicable State and Federal rules.
2. Building permits do not include plumbing, septic or electrical work.
3. Building permits are void if work is not started within six (6) months of the date of issuance. False information may invalidate a building permit and stop all work..

PERMIT ISSUED WITH REQUIREMENTS

CERTIFICATION

I hereby certify that I am the owner of record of the named property, or that the proposed work is authorized by the owner of record and that I have been authorized by the owner to make this application as his authorized agent and I agree to conform to all applicable laws of this jurisdiction. In addition, if a permit for work described in the application issued, I certify that the code official's authorized representative shall have the authority to enter all areas covered by such permit at any reasonable hour to enforce the provisions of the code(s) applicable to such permit

Henry Downs
 SIGNATURE OF APPLICANT Henry Downs ADDRESS: _____ DATE: 30 August 1996 PHONE: _____

RESPONSIBLE PERSON IN CHARGE OF WORK, TITLE _____ PHONE: _____

White-Permit Desk Green-Assessor's Canary-D.P.W. Pink-Public File Ivory Card-Inspector

Historic Preservation

Not in District or Landmark
 Does Not Require Review
 Requires Review

Action:

Approved
 Approved with Conditions
 Denied

Date: *9/3/96*

D. Andrews

CEO DISTRICT **4**

A. Powers

City of Portland, Maine – Building or Use Permit Application 389 Congress Street, 04101, Tel: (207) 874-8703, FAX: 874-8716

Location of Construction: 86 Alba St		Owner: Henry Downes		Phone: 774-6975		Permit No: 960869	
Owner Address: SAA Portland, ME 04103		Leasee/Buyer's Name:		Phone:		Business Name:	
Contractor Name:		Address:		Phone:		<div style="border: 2px solid black; padding: 5px; text-align: center;"> PERMIT ISSUED Permit Issued: SEP - 4 1996 CITY OF PORTLAND </div>	
Past Use: 1-1/2		Proposed Use: Same		COST OF WORK: \$ 800.00 PERMIT FEE: \$ 25.00			
Proposed Project Description: Construct Shed - Under existing deck (11.5 x 8)		FIRE DEPT. <input type="checkbox"/> Approved <input type="checkbox"/> Denied		INSPECTION: Use Group: 4 Type: 5 BOCA 96 Signature: <i>[Signature]</i>		Zone: <input type="checkbox"/> CBL: 179-C-026	
		PEDESTRIAN ACTIVITIES DISTRICT (P.U.D.) Action: <input type="checkbox"/> Approved <input type="checkbox"/> Approved with Conditions <input type="checkbox"/> Denied		Signature: _____ Date: _____		Zoning Approval: Special Zone or Reviews: <input type="checkbox"/> Shoreland <input type="checkbox"/> Wetland <input type="checkbox"/> Flood Zone <input type="checkbox"/> Subdivision <input type="checkbox"/> Site Plan <input type="checkbox"/> major <input type="checkbox"/> minor <input type="checkbox"/> mm <input type="checkbox"/>	
		Permit Taken By: Mary Gresik		Date Applied For: 30 August 1996		Zoning Appeal <input type="checkbox"/> Variance <input type="checkbox"/> Miscellaneous <input type="checkbox"/> Conditional Use <input type="checkbox"/> Interpretation <input type="checkbox"/> Approved <input type="checkbox"/> Denied	

1. This permit application doesn't preclude the Applicant(s) from meeting applicable State and Federal rules.
2. Building permits do not include plumbing, septic or electrical work.
3. Building permits are void if work is not started within six (6) months of the date of issuance. False information may invalidate a building permit and stop all work..

PERMIT ISSUED WITH REQUIREMENTS

CERTIFICATION

I hereby certify that I am the owner of record of the named property, or that the proposed work is authorized by the owner of record and that I have been authorized by the owner to make this application as his authorized agent and I agree to conform to all applicable laws of this jurisdiction. In addition, if a permit for work described in the application issued, I certify that the code official's authorized representative shall have the authority to enter all areas covered by such permit at any reasonable hour to enforce the provisions of the code(s) applicable to such permit

SIGNATURE OF APPLICANT <i>Henry Downes</i>		ADDRESS:		DATE: 30 August 1996		PHONE:	
RESPONSIBLE PERSON IN CHARGE OF WORK, TITLE						PHONE:	

Historic Preservation
 Not in District or Landmark
 Does Not Require Review
 Requires Review

Action:
 Approved
 Approved with Conditions
 Denied

Date: 9/4/96

CEO DISTRICT 4

COMMENTS

9-5-96 No work yet.

9-14-96 Small slab for shed poured - within the footprint of the existing stair & porch.

10-28-96 Shed completed.

Inspection Record

Type	Date
Foundation: _____	_____
Framing: _____	_____
Plumbing: _____	_____
Final: _____	_____
Other: _____	_____

BUILDING PERMIT REPORT

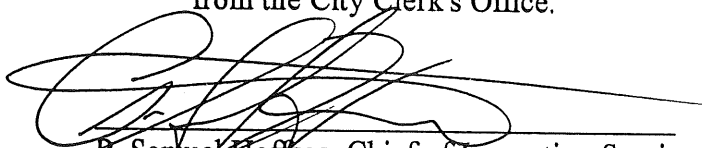
DATE: 3 Sept 96 ADDRESS: 86 Alba St.
REASON FOR PERMIT: To Construct 8' x 11.5' shed.
BUILDING OWNER: Henry Downs
CONTRACTOR: owner
PERMIT APPLICANT: .. [REDACTED] *1 *22

CONDITION OF APPROVAL [REDACTED]

- ~~X~~ 1. Before concrete for foundation is placed, approvals from ~~[REDACTED]~~ ~~engineer~~ Inspection Services must be obtained. (A24 hour notice is required prior to inspection)
2. Precaution must be taken to protect concrete from freezing.
3. It is strongly recommended that a registered land surveyor check all foundation forms before concrete is placed. This is done to verify that the proper setbacks are maintained.
4. Private garages located beneath habitable rooms in occupancies in Use Group R-1, R-2, R-3 or I-1 shall be separated from adjacent interior spaces by fire partitions and floor/ceiling assembly which are constructed with not less than 1-hour fire resisting rating. Private garages attached side-by-side to rooms in the above occupancies shall be completely separated from the interior spaces and the attic area by means of 1/2 inch gypsum board or the equivalent applied to the garage means of 1/2 inch gypsum board or the equivalent applied to the garage side. (Chapter 4 section 407.0 of the BOCA/1996)
5. Guardrail & Handrails-A guardrail system is a system of building components located near the open sides of elevated walking surfaces for the purpose of minimizing the possibility of an accidental fall from the walking surface to the lower level. Minimum height all Use Groups 42", except Use Group R which is 36". In occupancies in Use Group A,B, H-4, I-1, I-2 M and R and public garages and open parking structures, open guards shall have balusters or be of solid material such that a sphere with a diameter of 4" cannot pass through any opening. Guards shall not have an ornamental pattern that would provide a ladder effect.
6. Headroom in habitable space is a minimum of 7'6".
7. Stair construction in Use Group R-3 & R-4 is a minimum of 10" tread and 7 3/4" maximum rise. All other Use Group minimum 11" tread, 7" maximum rise.
8. The minimum headroom in all parts of a stairway shall not be less than 80 inches.
9. Every sleeping room below the fourth story in buildings of Use Groups R and I-1 shall have at least one operable window or exterior door approved for emergency egress or rescue. The units must be operable from the inside without the use of special knowledge or separate tools. Where windows are provided as means of egress or rescue, they shall have a sill height not more than 44 inches (1118mm) above the floor. All egress or rescue

windows from sleeping rooms shall have a minimum net clear opening height dimension of 24 inches(610mm). The minimum net clear opening width dimension shall be 20 inches (508mm), and a minimum net clear opening of 5.7 sq. feet.

10. Each apartment shall have access to two (2) separate, remote and approved means of egress. A single exit is acceptable when it exits directly from the apartment to the building exterior with no communications to other apartment units.
11. All vertical openings shall be enclosed with construction having a fire rating of at least one (1) hour, including fire doors with selfclosers.
12. The boiler shall be protected by enclosing with on (1) hour fire-rated construction including fire doors and ceiling, or by providing automatic extinguishment.
13. All single and multiple station smoke detectors shall be of an approved type and shall be installed in accordance with the provisions of the City's building code Chapter 9, Section 19, 919.3.2 (BOCA National Building Code/1996), and NFPA 101 Chapter 18 & 19. (Smoke detectors shall be installed and maintained at the following locations):
 1. In the immediate vicinity of bedrooms
 2. In all bedrooms
 3. In each story within a swelling unit, including basementsIn addition to the required AC primary power source, required smoke detectors in occupancies in Use Groups R-2, R-3 and I-1 shall receive power from a battery when the AC primary power source is interrupted. (Interconnection is required)
14. A portable fire extinguisher shall be located as per NFPA #10. They shall bear the label of an approved agency and be of an approved type.
15. The Fire Alarm System shall be maintained to NFPA #72 Standard.
16. The Sprinkler System shall maintained to NFPA #13 Standard.
17. All exit signs, lights, and means of egress lighting shall be done in accordance with Chapter 10 Section & Subsections 1023. & 1024. of the City's building code. (The BOCA National Building Code/1996)
18. All construction and demolition debris must be disposed at the City's authorized reclamation site. The fee rate is attached. Proof of such disposal must be furnished to the office of Inspection Services before final Certificate of Occupancy is issued or demolition permit is granted.
19. Section 25-135 of the Municipal Code for the City of Portland states, "No person or utility shall be granted a permit to excavate or open any street or sidewalk from the time of November 15 of each year to April 15 of the following year".
20. The builder of a facility to which Section 4594-C of the Maine State Human Rights Act, Title 5 MRSA refers, shall obtain a certification from a design professional that the plans of the facility meet the standards of construction required by this section. Prior to commencing construction of the facility, the builder shall submit the certification to the Division of Inspection Services.
21. This permit does not excuse the applicant from obtaining any license which may be needed from the City Clerk's Office.


P. Samuel Hoffses, Chief of Inspection Services

22. Your plan shows Rafters to be 2x4" at 16" o.c. with 8' span.
IF you want to use 2x4" they will have to be placed at 12" o.c. NOT
16" o.c. - 2x6" @ 16" o.c. should be used on this span.

Applicant: Henry Downs

Date: 9/3/96

Address: 86 ALBA ST

C-B-L: 179-6-26

CHECK-LIST AGAINST ZONING ORDINANCE

Date - Existing

Zone Location - R-3 cor. Best St

Interior or corner lot -

Proposed Use/Work - close in under deck for a shed

Sewage Disposal -

Lot Street Frontage -

Front Yard - N/A

Rear Yard - 25' req - 36' shown

Side Yard - 20' on side st - 20' shown existing

Projections -

Width of Lot -

Height -

Lot Area -

Lot Coverage/ Impervious Surface -

Area per Family -

Off-street Parking -

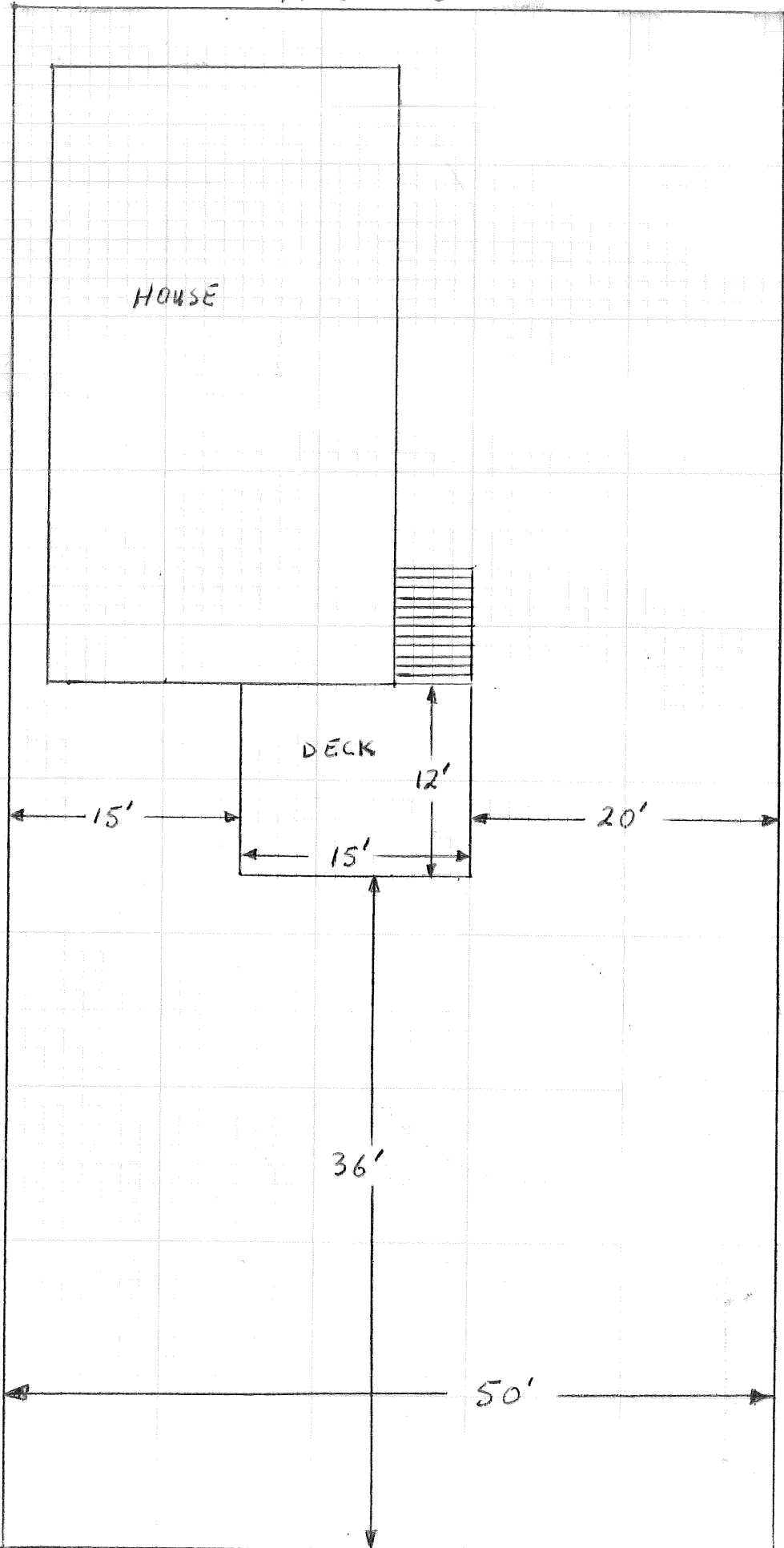
Loading Bays -

Site Plan -

Shoreland Zoning/ Stream Protection -

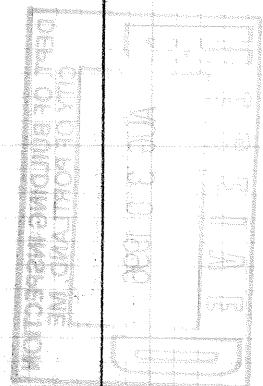
Flood Plains -

ALBA STREET



BEST STREET

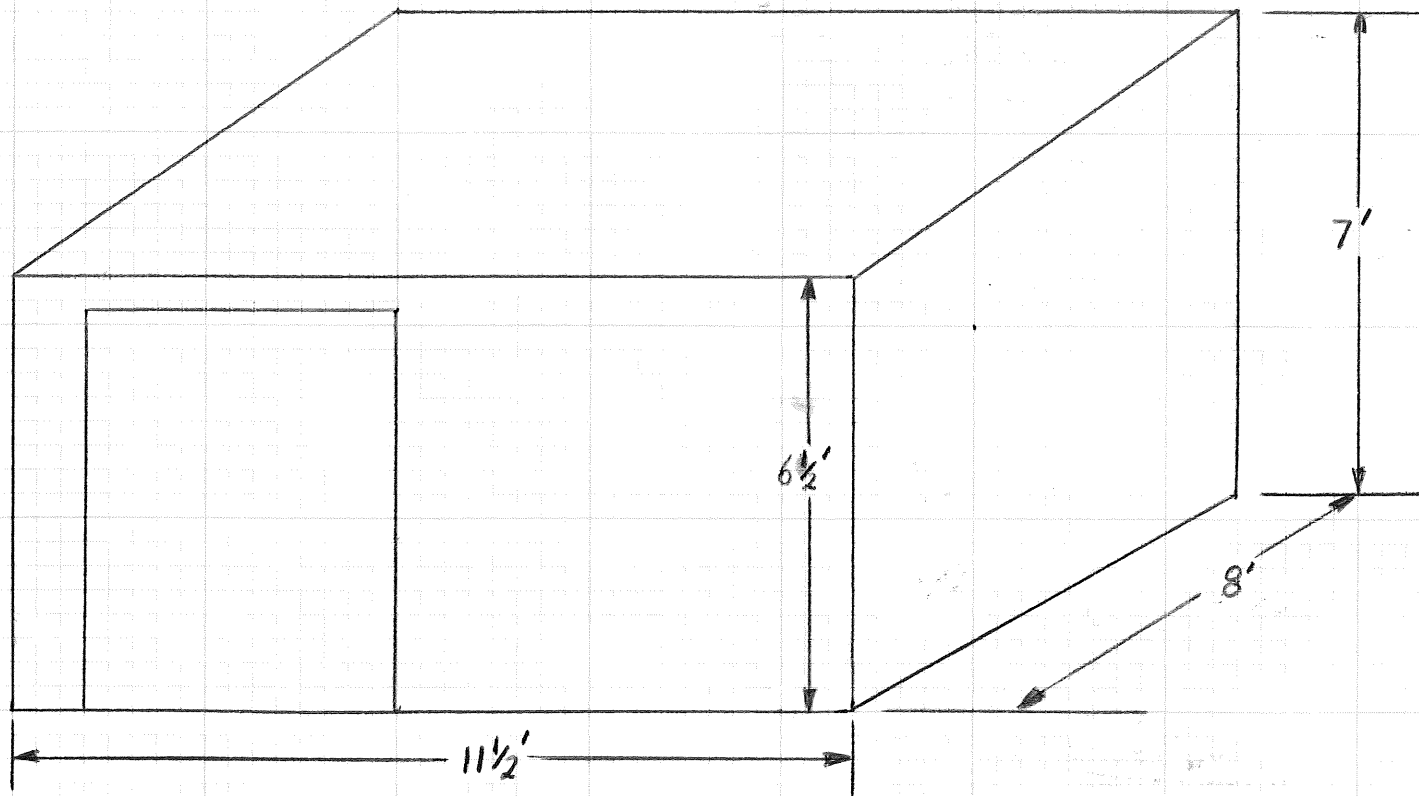
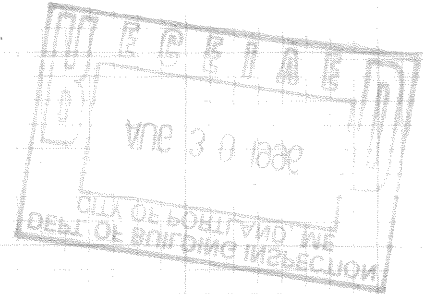
100'



WALLS : 2x3 x 16" ON CENTER

FLOOR : CONCRETE

ROOF : 2x4 16" ON CENTER

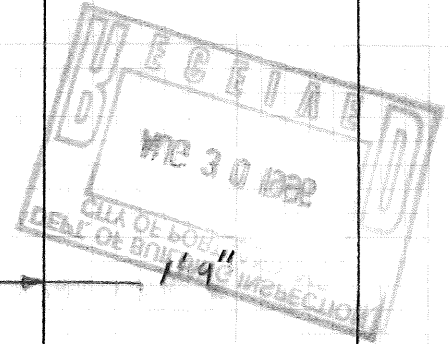


under existing deck

HOUSE

DECK

SHED FLOOR.



3'

1'9"

8'

11'6"

1'9"

12'

1'

15'