

DISPLAY THIS CARD ON PRINCIPAL FRONTAGE OF WORK



# CITY OF PORTLAND

# BUILDING PERMIT

This is to certify that ANNA M HEIRS STILLMAN

Located At 164 CALEB ST

Job ID: 2011-11-2586-HVAC

CBL: 178- G-035-001

has permission to install an HVAC system.

provided that the person or persons, firm or corporation accepting this permit shall comply with all of the provisions of the Statutes of Maine and of the Ordinances of the City of Portland regulating the construction, maintenance and use of the buildings and structures, and of the application on file in the department.

Notification of inspection and written permission procured before this building or part thereof is lathed or otherwise closed-in. 48 HOUR NOTICE IS REQUIRED.

A final inspection must be completed by owner before this building or part thereof is occupied. If a certificate of occupancy is required, it must be

\_\_\_\_\_  
**Fire Prevention Officer**

\_\_\_\_\_  
**Code Enforcement Officer / Plan Reviewer**

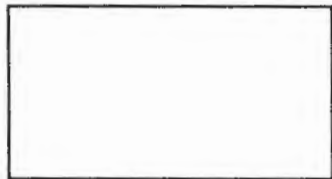
11/03/2011

THIS CARD MUST BE POSTED ON THE STREET SIDE OF THE PROPERTY  
PENALTY FOR REMOVING THIS CARD



FILL IN AND SIGN WITH INK

# APPLICATION FOR PERMIT HEATING OR POWER EQUIPMENT



178 6035  
entered 11/11/11

To the INSPECTOR OF BUILDINGS, PORTLAND, ME.

The undersigned hereby applies for a permit to install the following heating, cooking or power equipment in accordance with the Laws of Maine, the Building Code of the City of Portland, and the following specifications:

Location / CBL 164 Caleb Str Portland Use of Building Single family Date 10-13-2011

Name and address of owner of appliance Al Freedman  
164 Caleb Str Portland

Installer's name and address Carl J Henriksen  
1 Henriksen Rd Scarborough Me Telephone 207 831 8698

### Location of appliance:

- Basement
- Floor
- Attic
- Roof

### Type of Fuel:

- Gas
- Oil
- Solid

Appliance Name: Pensotti

U.L. Approved  Yes  No

Will appliance be installed in accordance with the manufacture's installation instructions?  Yes  No

IF NO Explain: \_\_\_\_\_

### The Type of License of Installer:

- Master Plumber # \_\_\_\_\_
- Solid Fuel # \_\_\_\_\_
- Oil # \_\_\_\_\_
- Gas # PNT 2773
- Other \_\_\_\_\_

### Type of Chimney:

- Masonry Lined  
Factory built \_\_\_\_\_

- Metal  
Factory Built U.L. Listing # \_\_\_\_\_

- Direct Vent  
Type Gas UL# \_\_\_\_\_

### Type of Fuel Tank

- Oil
- Gas

Size of Tank \_\_\_\_\_  
Dept. of Building Inspections  
City of Portland Maine

Number of Tanks \_\_\_\_\_

Distance from Tank to Center of Flame \_\_\_\_\_ feet.

Cost of Work: \$ 7200.-

Permit Fee: \$ 100.00

RECEIVED

OCT 13 2011

### Approved

Fire: \_\_\_\_\_

Ele.: \_\_\_\_\_

Bldg.: \_\_\_\_\_

### Approved with Conditions

- See attached letter or requirement

Inspector's Signature

Date Approved

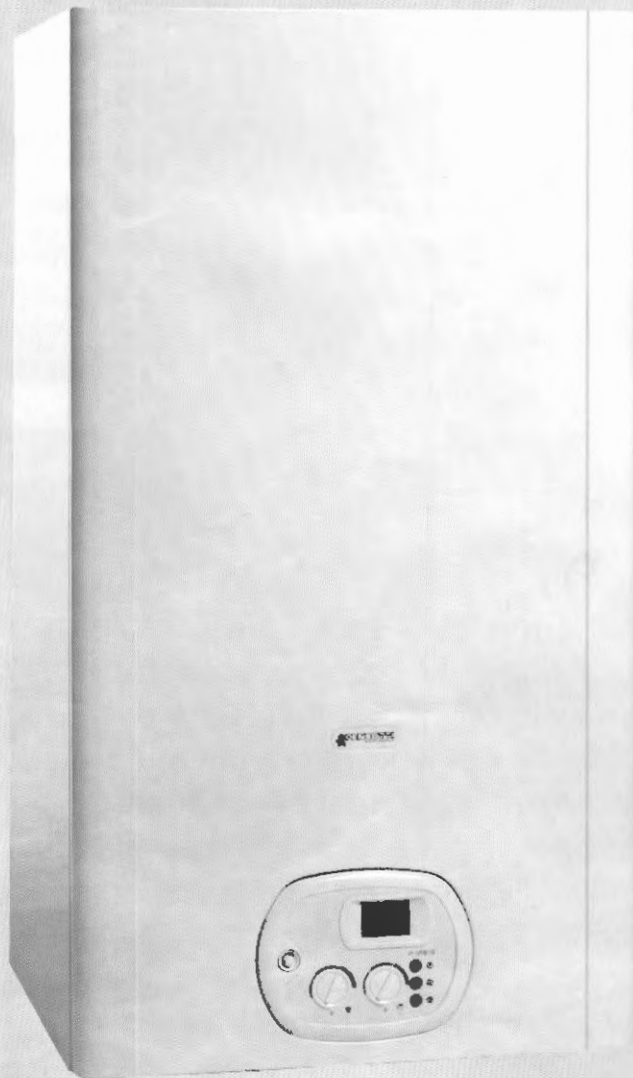
Signature of Installer

Carl J Henriksen

White - Inspection    Yellow - File    Pink - Applicant's    Gold - Assessor's Copy

# PENSOTTI®

## Solenne Series

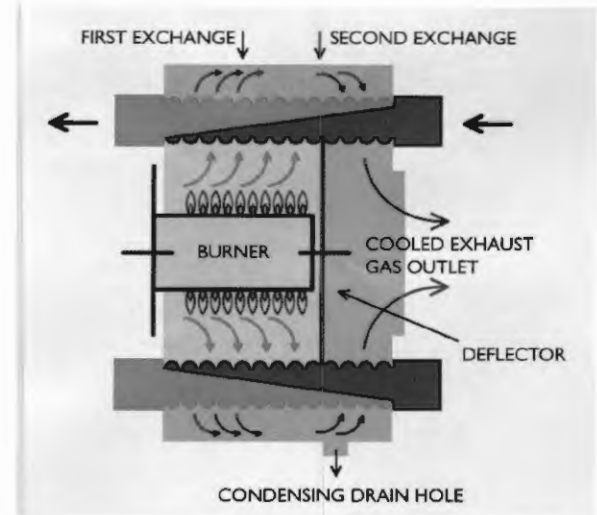


- 95% Efficient
- Fully Condensing
- Natural or LP Gas Fired
- 2 Year Parts Warranty
- 10 Year Heat Exchanger Warranty

## PCH Series

**Solenne PCH** series boilers are heating only, wall mounted, gas condensing boilers, perfect for all hydronic heating systems. They perform effectively and efficiently with all types of systems including: radiant floor, panel radiators, conventional baseboard and hydro-air systems.

If domestic hot water is also desired the **Solenne PCH** series includes an internal 3-way valve, copper pipe fittings and a pre-wired temperature sensor for effortless connection to an indirect fired water heater.



## PCC Series

The **Solenne PCC** series are combination heat and instantaneous domestic hot water boilers. They can be used in conjunction with all hydronic heating systems and will also produce domestic hot water from the integrated stainless steel and copper brazed plate heat exchanger. Combining both heating and domestic hot water in one small appliance, the **Solenne PCC** series dramatically reduces the installation space that is typically required with traditional systems. With its whisper quiet operation and compact size, the **Solenne** series boilers can be installed nearly anywhere within the home.

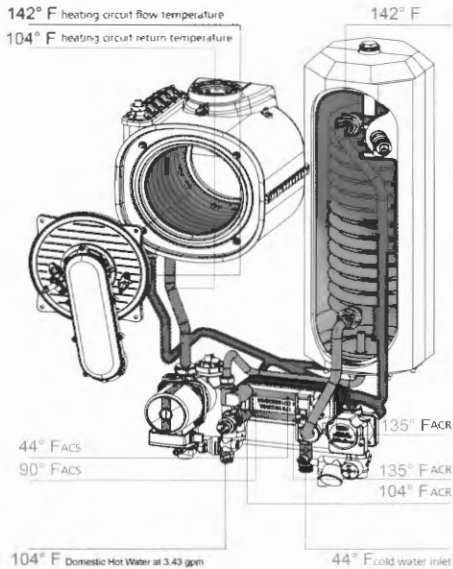
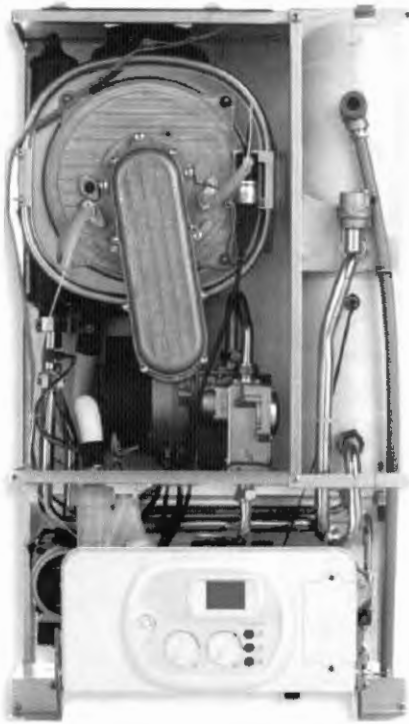
MODEL	BTUH INPUT MAXIMUM	BTUH INPUT MINIMUM	WEIGHT (LBS.)	HEIGHT	WIDTH	DEPTH	DHW FLOW RATE @ 63° F RISE	HEAT TEMP. RANGE	DHW TEMP. RANGE	CONC. VENT SIZE
PCH 18B	61,419	8,014	80	28.7"	16.1"	11.2"	N/A	86-176°F	95-160°F	3.15"/5"
PCH 34B	116,013	34,121	88	28.7"	16.1"	12.2"	N/A	86-176°F	95-160°F	3.15"/5"
PCH 50B	174,019	40,946	114	27.6"	19.3"	18.5"	N/A	86-176°F	95-160°F	3.15"/5"
PCC 34	116,013	34,121	88	28.7"	16.1"	12.2"	3.77	86-176°F	95-160°F	3.15"/5"

## PCI Series

The **Solenne PCI** series is a wall-mounted, fully condensing, heat and micro-storage gas boiler with an internal stainless steel indirect water heater. Incorporating our patented Duopass system, the **PCI** series boiler will provide an abundant quantity of domestic hot water. This patented system consists of a stainless steel indirect water heater and a brazed plate heat exchanger.

Upon a demand for domestic hot water the **Solenne PCI** series boiler responds immediately, re-heating the water in the storage tank and pre-heating the entering cold water through the brazed plate heat exchanger.

With a ready supply of stored domestic hot water and the pre-heating of cold water entering the indirect water heater the **PCI** series has a dramatically increased recovery rate when compared to that of any standard combi-boiler. The **Solenne PCI** series is a viable alternative to many applications where an external indirect water heater would normally be required; saving valuable space while reducing material and installation costs.



MODEL	BTUH INPUT MAXIMUM	BTUH INPUT MINIMUM	WEIGHT (LBS.)	HEIGHT	WIDTH	DEPTH	DHW FLOW RATE @ 63° F RISE	DHW STORAGE (GALS.)	HEAT TEMP. RANGE	DHW TEMP. RANGE	CONC. VENT SIZE
PCI 18/8	61,419	8,014	114.5	31.1"	17.7"	13"	3.1 GPM	2.11	86-176°F	95-160°F	3.15"/5"
PCI 34/20	116,013	34,121	146	35.5"	19.5"	18.9"	4.5 GPM	5.30	86-176°F	95-160°F	3.15"/5"

Available in 3 distinct styles, **Solenne**, series boilers will accommodate most residential and light commercial heat and hot water applications. All **Solenne** boilers are wall-mounted, fully condensing with sealed combustion systems and a choice of 3 multiple venting options.

Unlike many other boilers, **Solenne** boilers are fully packaged making installation simpler, quicker, and less expensive. No matter which style you choose, every **Solenne** boiler offers a long list of standard features:

- Clean, appliance quality, metal cabinet
- Quality stainless steel heat exchanger
- Premix stainless steel gas burner
- Self diagnostic control system with digital display, heat and domestic water temperature control, freeze protection, circulator exercise function and outdoor temperature reset capability
- Dependable negative pressure gas valve
- Reliable direct spark ignition system
- Quiet, electronic variable speed blower
- Oversized stainless steel and copper brazed plate domestic hot water heat exchanger with electronic flow switch (combi and micro storage boilers)
- Built-in 3 speed circulator with automatic air vent
- Built-in expansion tank
- Internal low water safety switch
- Simple push button conversion to LP gas
- Convenient piping kit with isolation valves
- Service friendly design provides quick, easy access to all internal components
- Warranty; 2 year on parts and 10 years on the stainless steel heat exchanger



## Pensotti LLC

34 Coffin Ave  
PO Box 3358  
Brewer, ME 04412  
Tel: (207) 942-3636  
Fax: (207) 942-3737

[www.pensottiboiler.com](http://www.pensottiboiler.com)