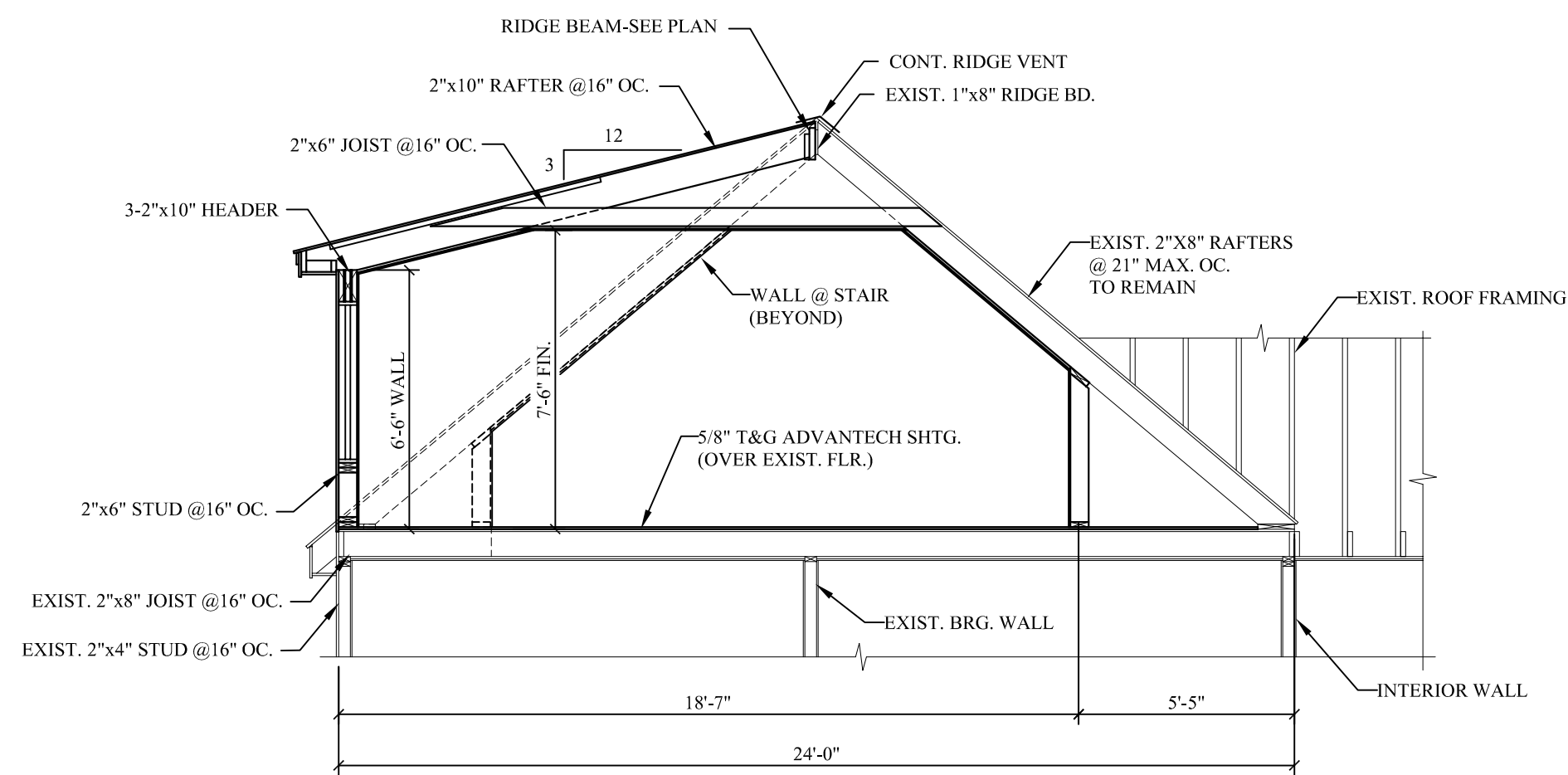


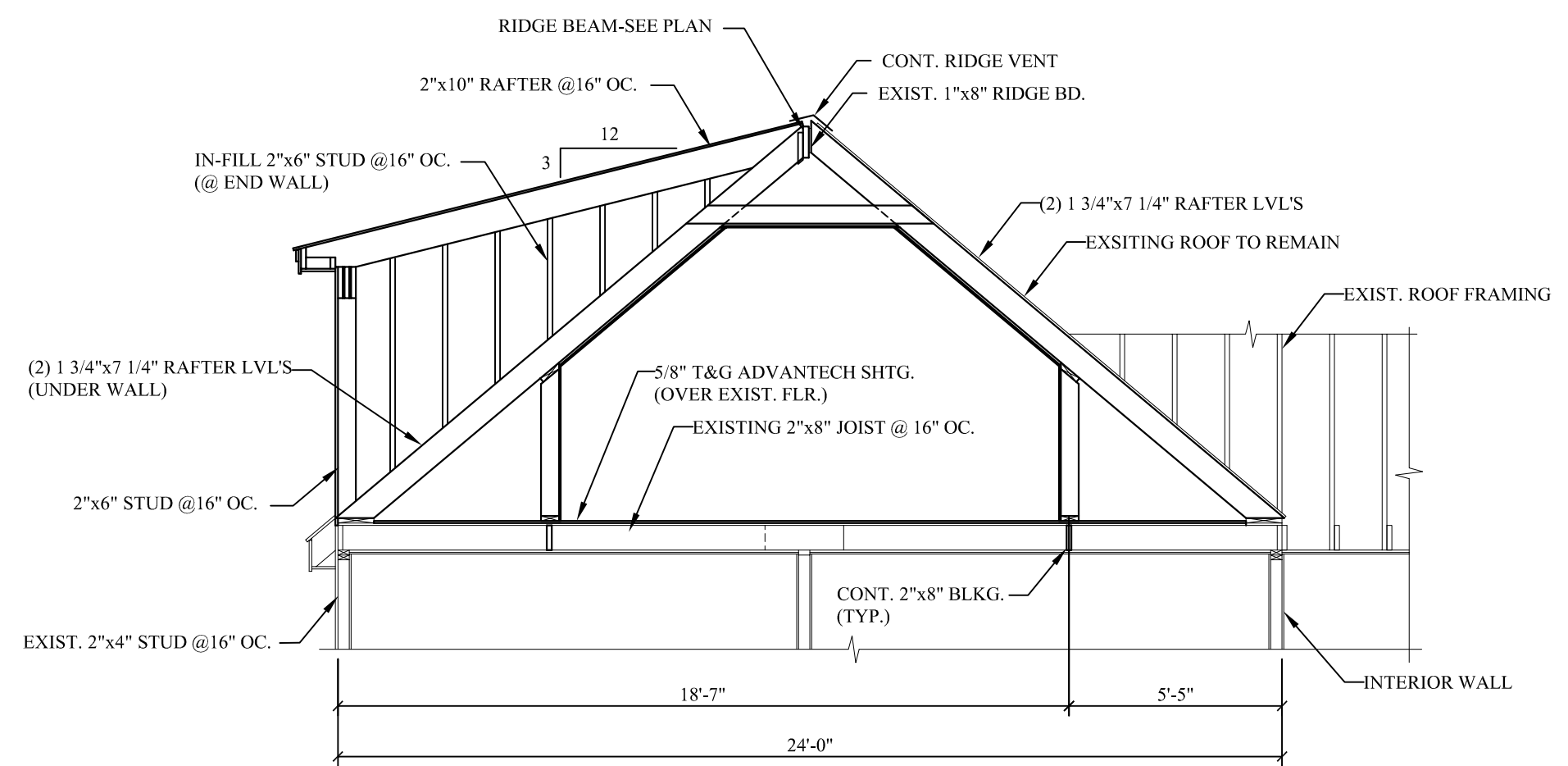
DESIGNED BY:	Larry Wichroski, P.E.
DRAWN BY:	JAM
JOB NO.:	06013
DATE:	12-08-2013

REVISIONS:	

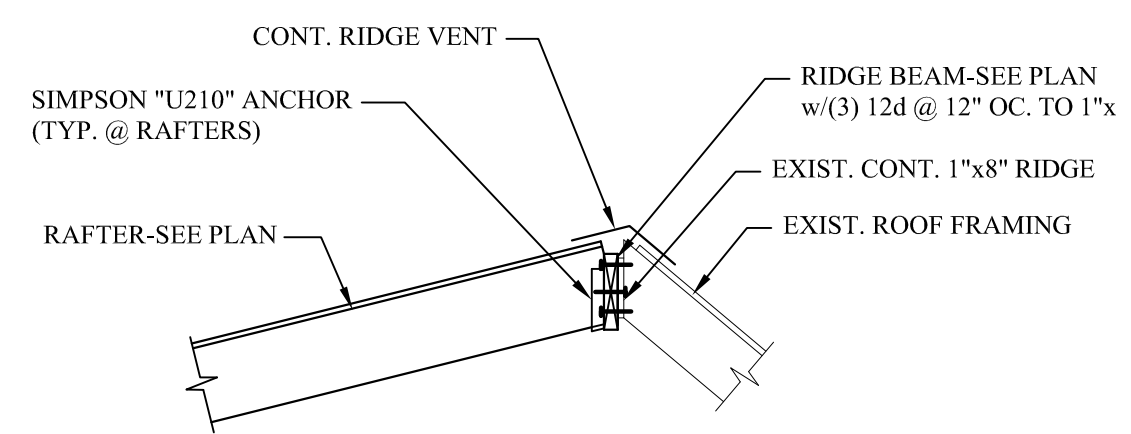
SHEET:
S3



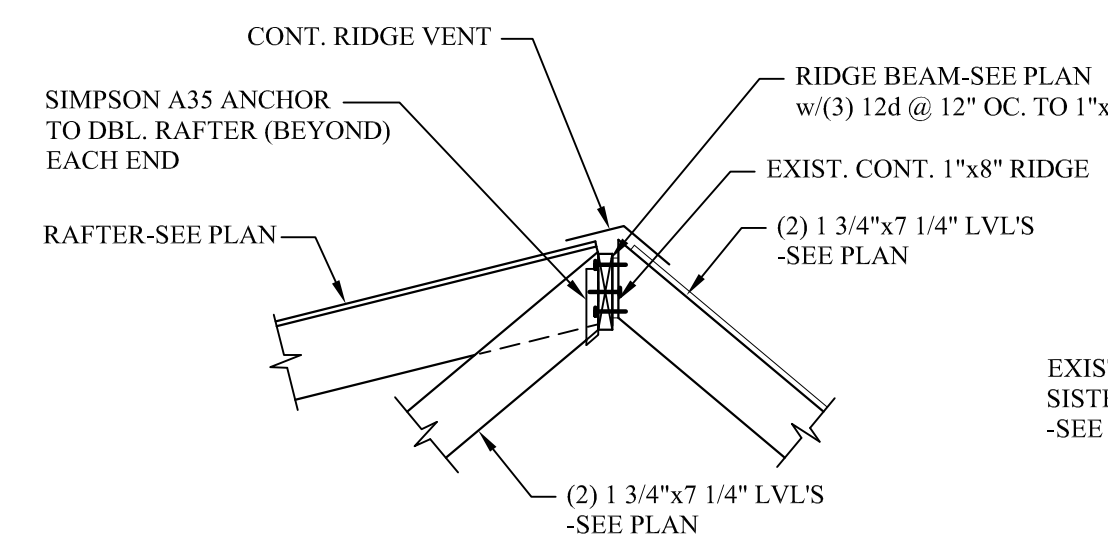
A
S1 SECTION @ DORMER FRAMING
SCALE: 1/4"=1'-0"



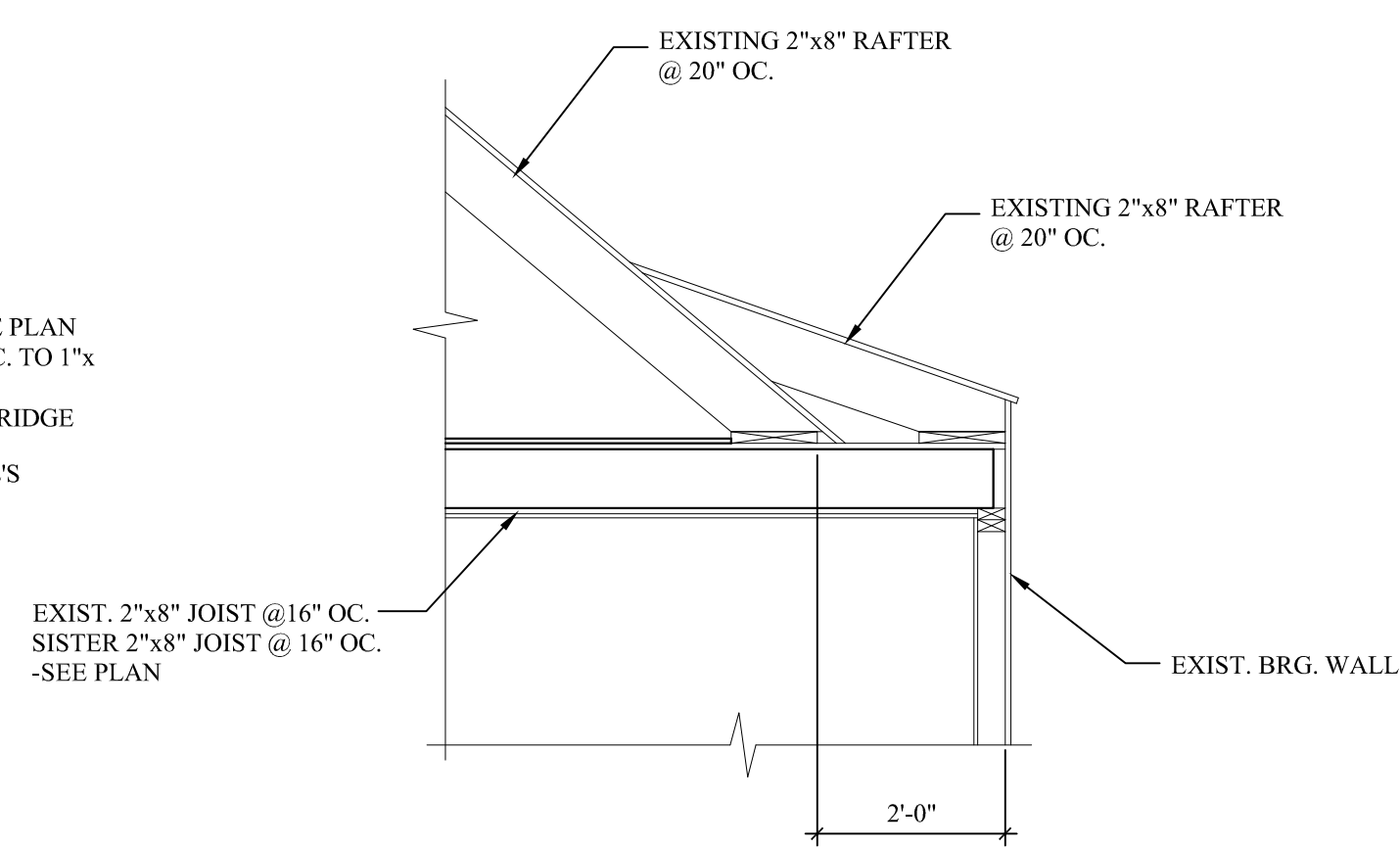
B
S1 SECTION @ DORMER WALL (TYP.)
SCALE: 1/4"=1'-0"



C
S2 SECTION @ RIDGE
SCALE: 1/2"=1'-0"



D
S2 SECTION @ RIDGE
SCALE: 1/2"=1'-0"



E
S2 SECTION @ WALL
SCALE: 1/4"=1'-0"