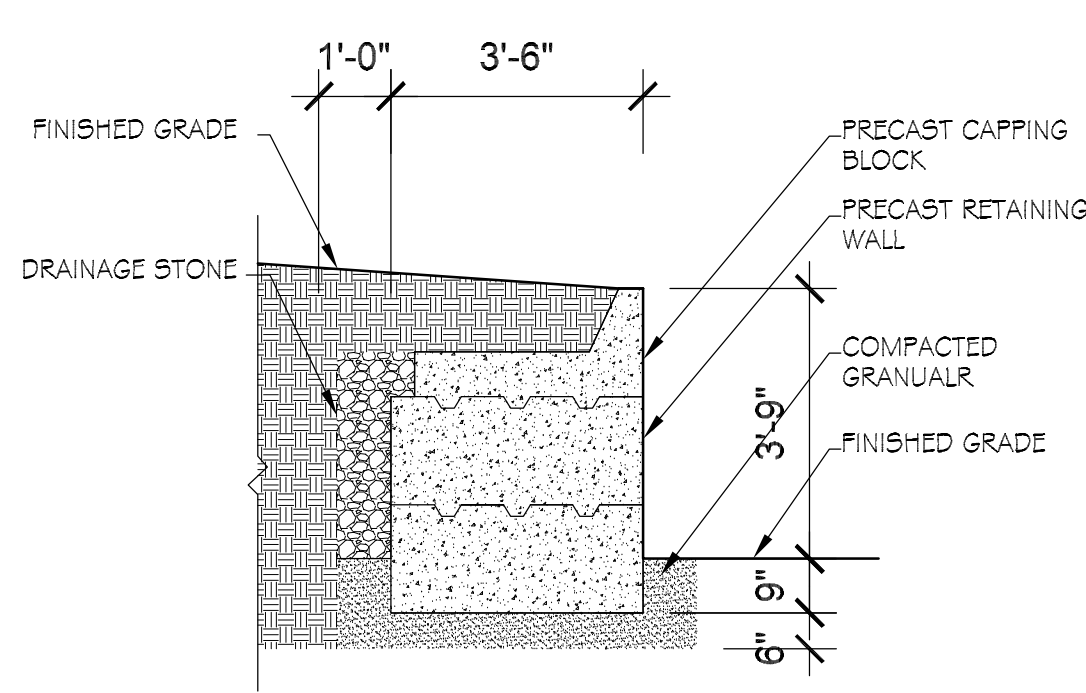
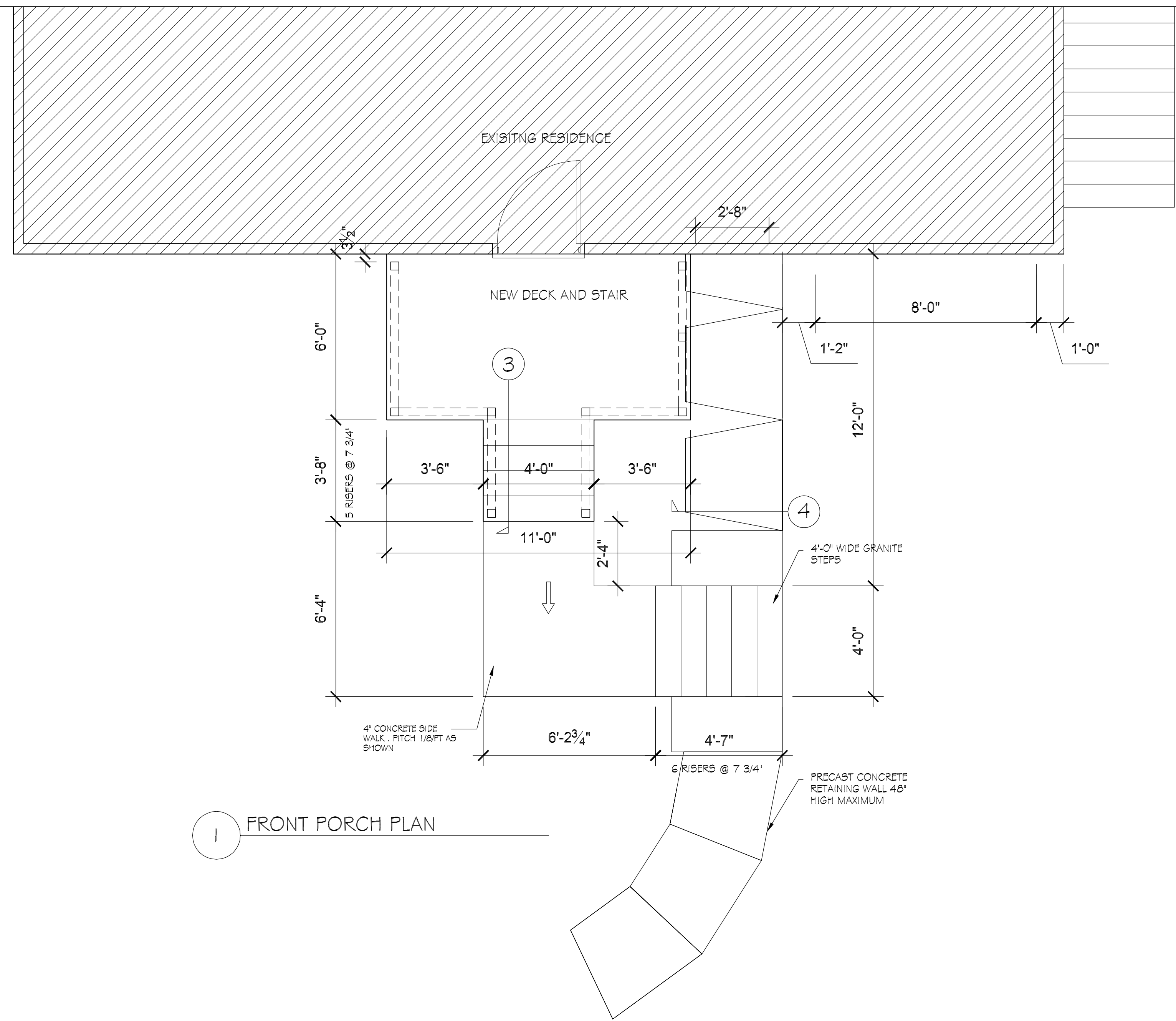


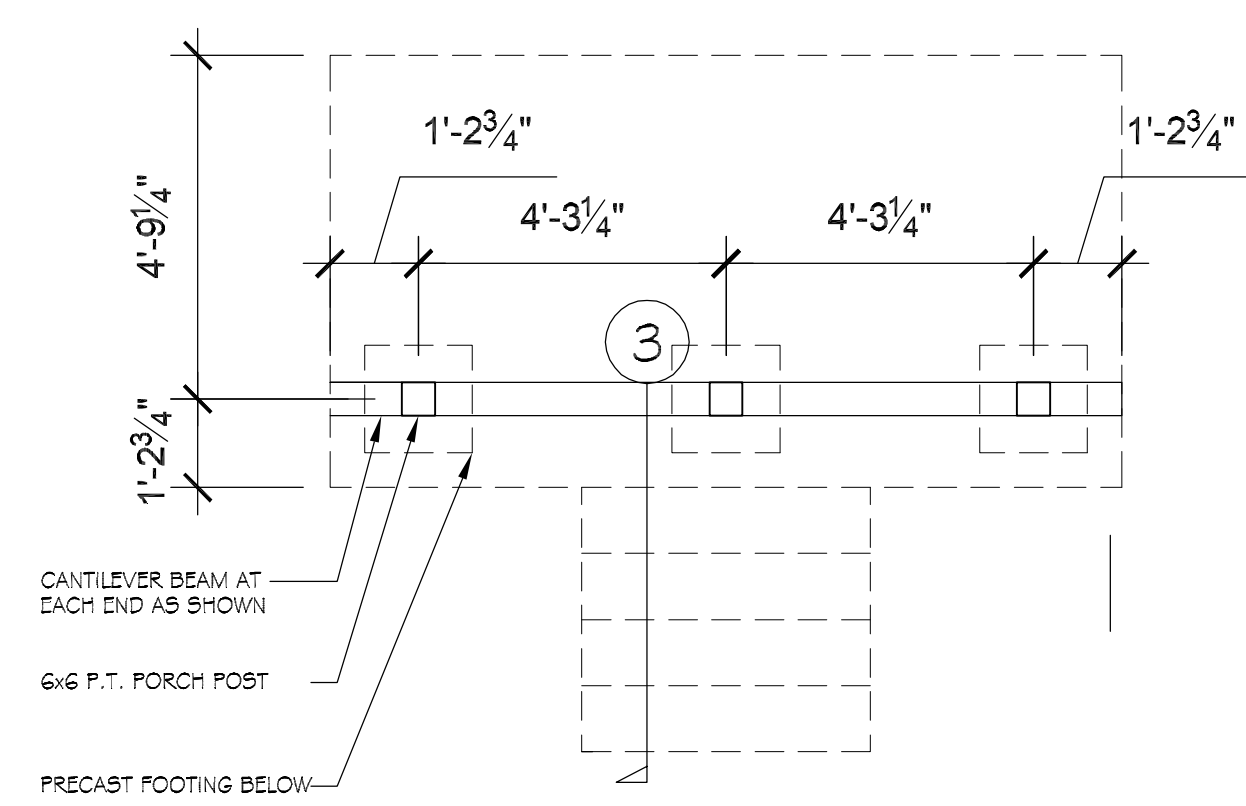
3 PORCH -BUILDING SECTION



4 RETAINING WALL - SECTION



1 FRONT PORCH PLAN



2 STRUCTURAL PLAN