

**LIGHT FIXTURE SCHEDULE**



**FEATURES & SPECIFICATIONS**

**INTENDED USE**  
For applications that require the clean appearance of a flat-bottom diffuser. Provides high light levels for storage rooms, offices or retail applications. Certain airborne contaminants can diminish integrity of acrylic. Click here for Acrylic Environmental Compatibility table for suitable uses.

**CONSTRUCTION**  
Linear side prisms control brightness, pyramidal bottom prisms minimize lamp image. Diffuser hinges open from either side for easy maintenance. Full depth, white enamel end plates. Die formed from code-gauge cold-rolled steel. Channel cover snaps into place without the use of tools. Full end cap factory installed to reduce job site labor. Diffuser is extruded clear acrylic. Five-stage iron phosphate pretreatment ensures superior paint adhesion and rust resistance. Finished with high-gloss, baked white enamel.

**ELECTRICAL**  
Thermally protected, resetting, Class P, PFC, UL listed, CSA Certified ballast is standard. Energy saving and electronic ballasts are sound rated A.  
Luminaire is suitable for damp locations. AWW, TYP or TRHW wire used throughout, rated for required temperatures.  
MVOLT ballasts are NEMA Premium/CEE qualified ballasts. Full light output - reduced energy. Less than 10% THD. Multi-volt operation, 120-277V.

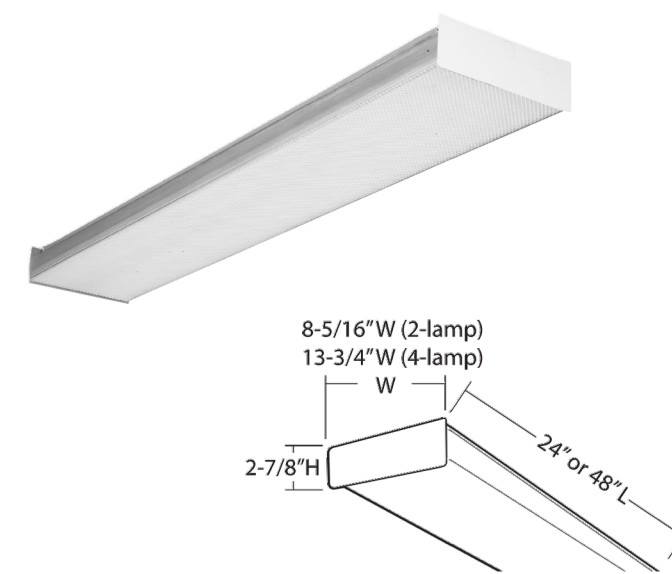
**INSTALLATION**  
For surface or stem mounting. Individual or row installation.

**LISTING**  
UL and C-UL Listed (standard).

**WARRANTY**  
Fixtures, including ballasts, are covered by Lithonia Lighting 24-month warranty against mechanical defects in manufacture.  
Note: Specifications subject to change without notice.

Catalog Number	SB217 MV
Notes	Install on level ceiling
Type	"A"

**Square-Basket Wraps**



**ORDERING INFORMATION**

Catalog Number	UPC	Description	# of Lamps	# of Ballasts	Wattage	Voltage	Ballast Type	ENERGY STAR Qualified	Lamp Included	Pallet Qty.	Standard Carton Qty.
SB217 MV	745523181631	Wipacount	2	1	32	120-277	NEMA Premium, instant start	N	N	70	1
SB217 MV	745523183619	Wipacount	4	1	32	120-277	NEMA Premium, instant start	N	N	42	1
SB217 MV	745523185108	Wipacount	2	1	32	120-277	NEMA Premium, instant start	N	N	140	1

CONTRACTOR SELECT / FLUORESCENT

SQUARE\_BASKET\_WRAPS



Catalog Number	OWP3 42F 120 P LP WH	Type	"B"
Notes	Install @ EL. + 6-8\" AFF		

**FEATURES & SPECIFICATIONS**

**INTENDED USE**

Provides general illumination for outdoor use in residential and light commercial applications. Ideal for entryways, walkways, side yards, patios, and commercial buildings creating an inviting exterior space as well as providing safety and security.

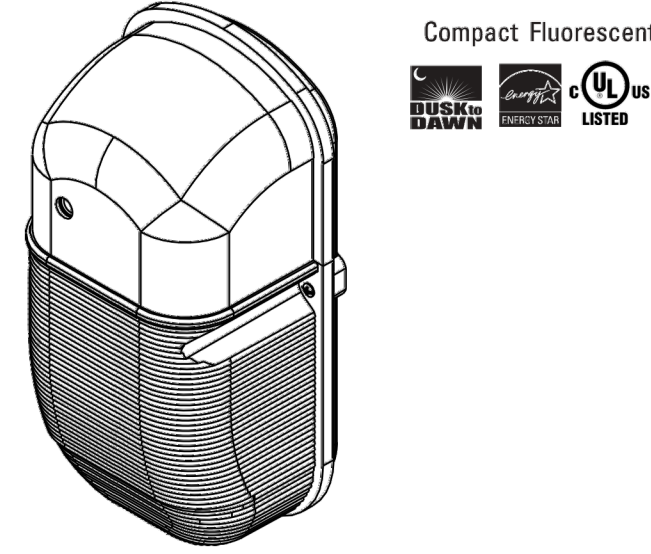
**ATTRIBUTES**  
Dusk-to-dawn photocell automatically turns on at dusk and off at dawn for convenience and energy savings. The durable polycarbonate housing is offered in bronze or white. High-impact polycarbonate refractor is UV-stabilized to prevent yellowing. Standard with electronic ballast (120 volt, 60 Hz). Starts instantly down to -13°F (-26°C). Includes (1) 42W GX24q 4-pin base 4100K triple tube compact fluorescent lamp.

For use with non-dimmable switches only. All mounting hardware included.

**LISTING**  
CUL listed to US and Canadian safety standards and suitable for wet locations. ENERGY STAR® qualified.

**WARRANTY**  
Guaranteed for two years against mechanical defects in manufacture. (Excludes lamp)

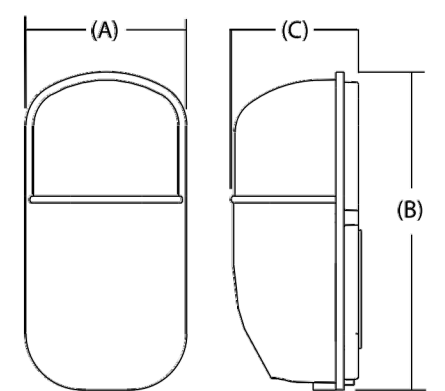
**Outdoor General Purpose Mini-Wall Pack Dusk-to-Dawn**



**DIMENSIONS**

Lamp Configuration	Model Number	# of Lamps	(A) Width inches (cm)	(B) Height inches (cm)	(C) Extension* inches (cm)
OWP3 42F	(1) 42W GX24q 4-pin base compact (TTT)	1	5-3/4\" (14.6)	11\" (27.9)	4-15/16\" (10.9)

\* Maximum extension from wall. All dimensions are in inches (centimeters)



**ORDERING INFORMATION**

Choose the ballast catalog nomenclature that best suits your needs and write it on the appropriate line. Order accessories as and replacement parts separate catalog numbers.

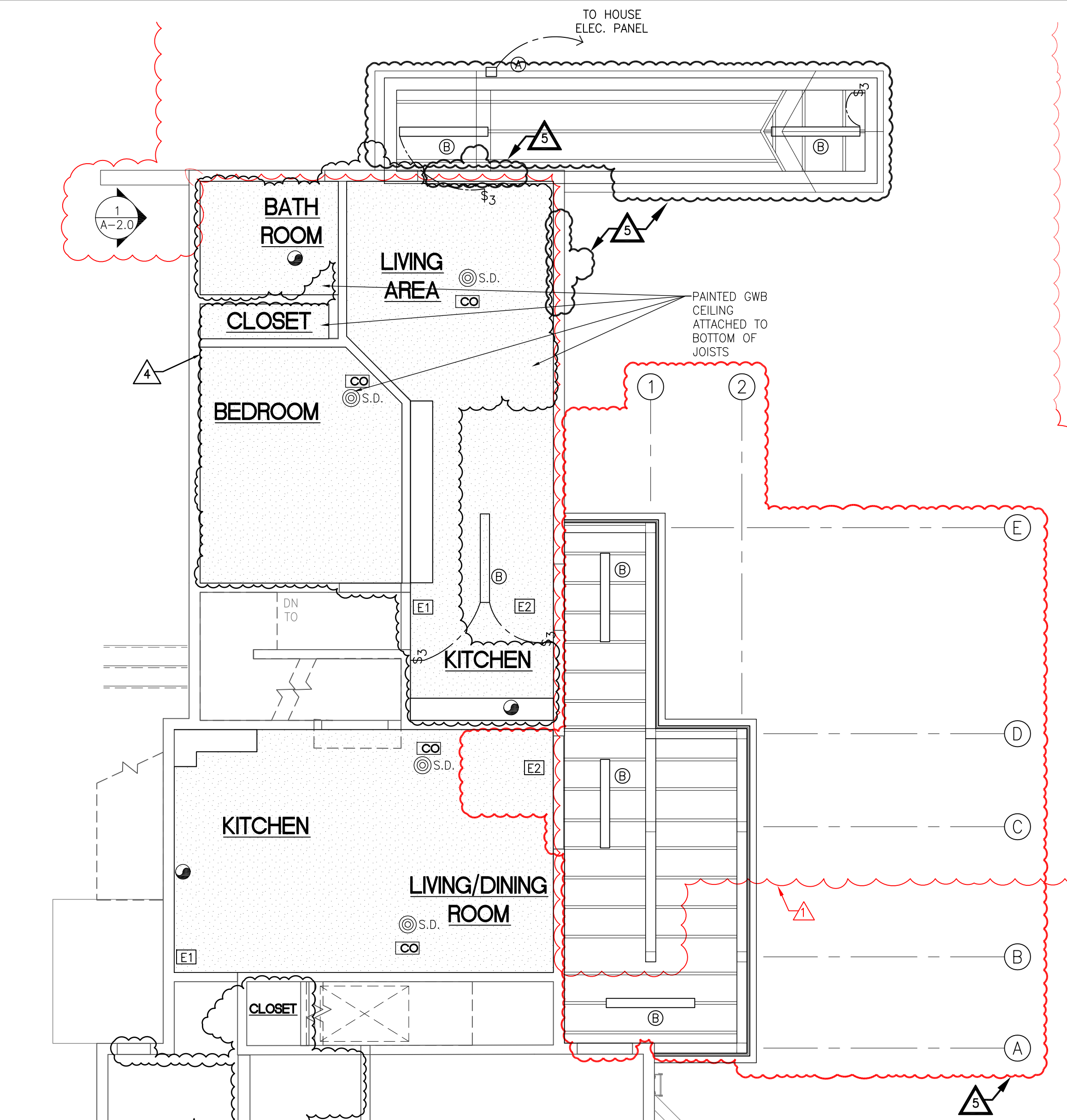
Model Number	Ballast/Voltage	Features	Lamp	Finish
OWP3 42F (1) 42W GX24q 4-pin 4100K triple tube compact fluorescent lamp included	120 120 volt residential electronic ballast (standard)	P Dusk-to-Dawn photocell	LP Lamp included	BZ Bronze WH White

Accessories/Replacement parts

CF42TR141 4-PIN M6 42W GX24q 4-pin 4100K triple tube compact fluorescent lamp

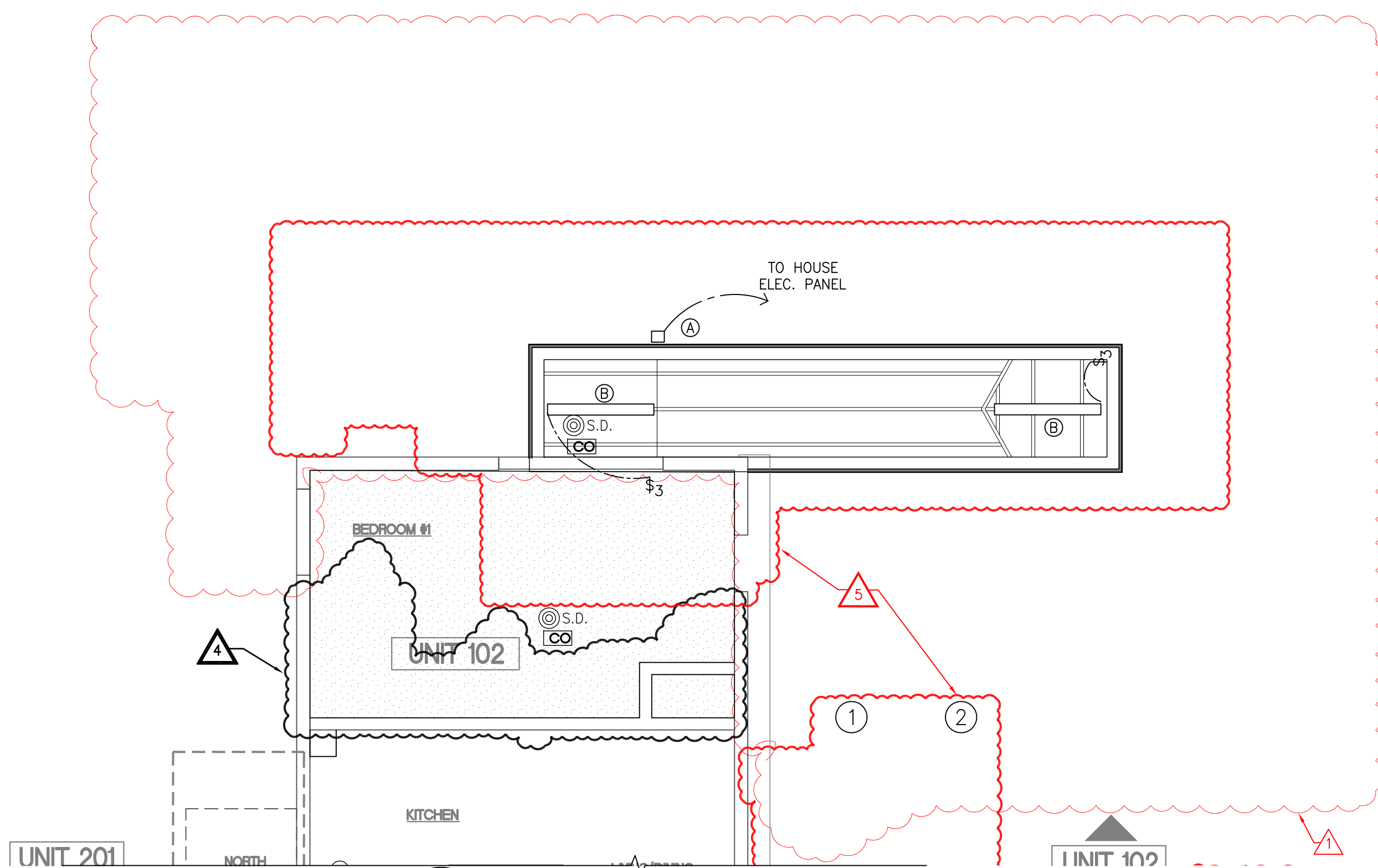
Lithonia Lighting Outdoor General Purpose - Mini-Wall Pack

Sheet #: DMWP DEC-882

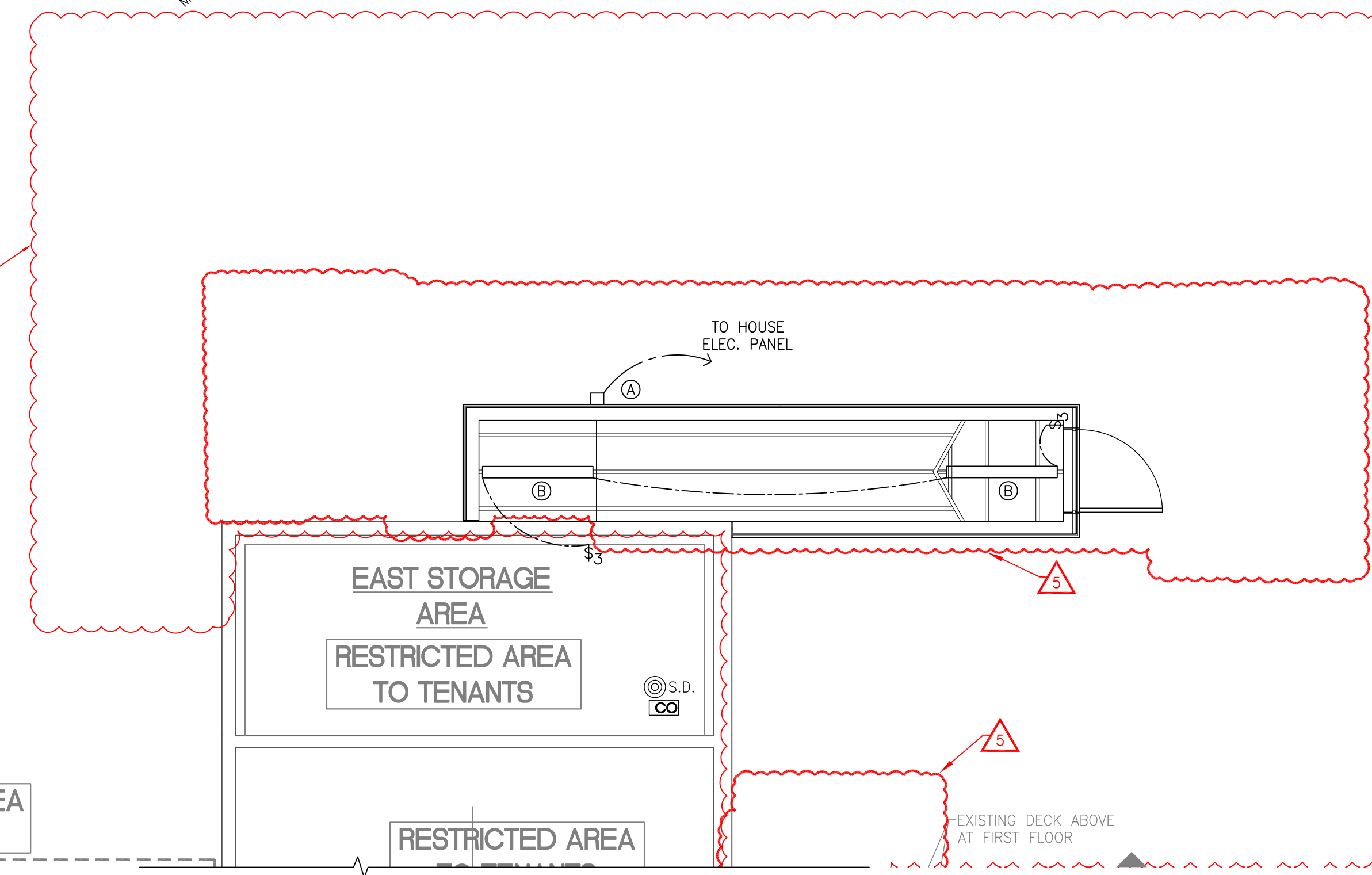


**SECOND FLOOR REFLECTED CEILING PLAN**  
SCALE: 1/4"=1'-0"  
0 2' 4' 8'

**NOTES:**  
PROVIDE SURFACE MOUNTED 4-FOOT WRAPPED LENS FIXTURE (LITHONIA RB 232 OR EQUAL) AS INDICATED ON REFLECTED CEILING PLANS.  
PROVIDE 5-WAY WALL SWITCH AT LOWER DOOR AND EACH UNIT DOOR.  
PROVIDE EXTERIOR RATED SURFACE MOUNTED LIGHT FIXTURE (LITHONIA OWP3 42F 120 P LP WH OR EQUAL) ON WALL WITH PHOTOMETRIC DUSK TO DAWN SWITCH AT EL. +6-8\" AFF AS INDICATED ON PLAN.



**FIRST FLOOR REFLECTED CEILING PLAN**  
SCALE: 1/4"=1'-0"  
0 2' 4' 8'



**BASEMENT REFLECTED CEILING PLAN**  
SCALE: 1/4"=1'-0"  
0 2' 4' 8'

THIS WHOLE SHEET WAS REVISED

AREA RESERVED PER CITY SUBMISSION ROOMS.

**Sheet Notes**

- SEE GENERAL NOTES ON COVER SHEET.
- ALL PCOD WAS DONE WITHOUT A BLDG. PERMIT AND IS DOCUMENTED IN THIS SET RETROACTIVELY FOR CITY CEO.
- ALL WORK PREVIOUSLY DONE (WITHOUT BUILDING PERMIT) AFTER CURRENT OWNER IS SHOWN AS NEW WORK EVEN IF IT CURRENTLY EXISTS, PER PORTLAND CODE ENFORCEMENT OFFICE.

No.	Addenda/Revision	Date
5	REDESIGNED EGRESS	5-8-13
4	CONSTRUCTION CHANGES	3-31-13
3	STAIR NOSING/DETL.	7-19-12
2	SIDE YARD SETBACK	4-4-12
1	ENCLOSED STAIRWELL	3-14-12

**ALBADO ENTERPRISES**  
92 BROADWAY  
ROCKLAND, ME 04841  
Tel: (310) 963-7670  
Fax: (866) 283-1199  
E- MARIO@ALBADOENTERPRISES.COM

**STEVE RUSZKAI, AIA**  
MAINE LICENSED ARCHITECT  
17 POND SHORE DRIVE  
CUMBERLAND, ME 04021  
(207) 408-9913  
SRUSZKAI@MAINE.RR.COM

**BAO BAO INVESTMENT, INC.**  
DEVELOPER:  
120 BASTER BLVD.  
PORTLAND, ME 04101  
Tel: (626) 485-4466  
(310) 897-3333  
barbecueco@yahoo.com

Issued: 15 JULY 2011  
Scale: AS NOTED 0 1/2" 1"  
Drawn By: MA & SPR  
Reviewed By:

REFLECTED CEILING PLANS  
**A-1.3**