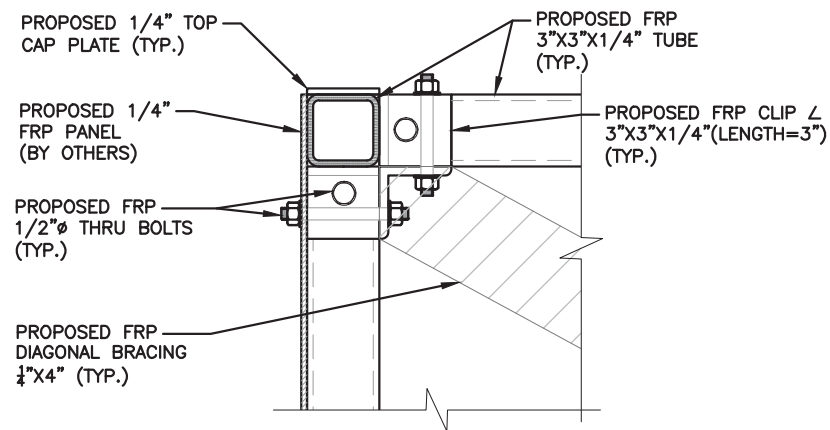
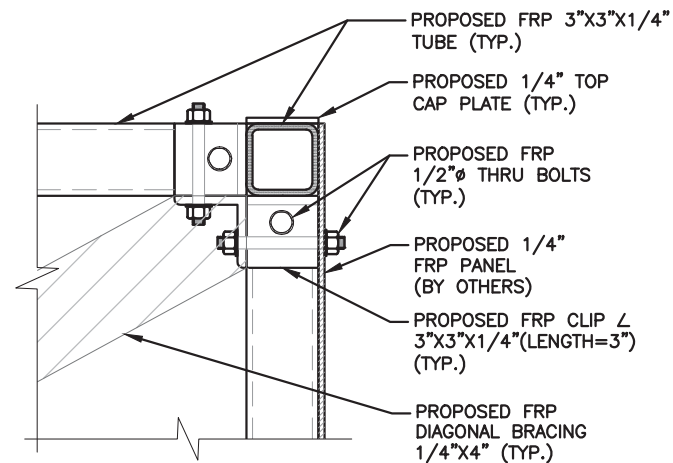


STRUCTURAL NOTES:
 PRIOR TO COMMENCING CONSTRUCTION, GC SHALL REFER TO STRUCTURAL ANALYSIS PROVIDED BY HDG, DATED: OCTOBER 12, 2017 TO DETERMINE IF THERE ANY SUPPLEMENTAL OR SPECIAL INSTALLATION REQUIREMENTS, OR RELOCATION ARRANGEMENTS.

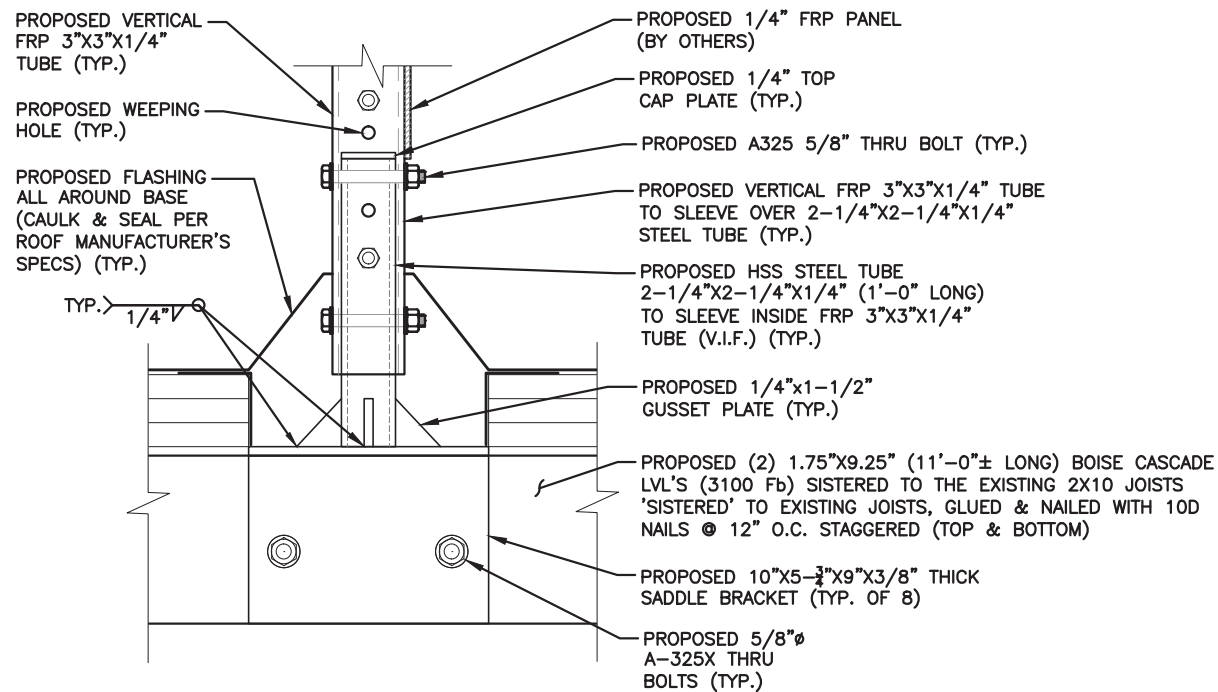
NOTE:
 REFER TO THE FINAL RF DATA SHEET FOR FINAL ANTENNA SETTINGS.



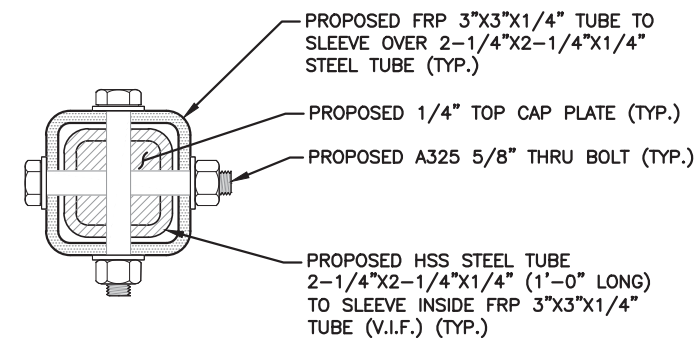
CONNECTION DETAIL ELEVATION 1
 22x34 SCALE: 3"=1'-0"
 11x17 SCALE: 1-1/2"=1'-0"
 S-5



CONNECTION DETAIL ELEVATION 2
 22x34 SCALE: 3"=1'-0"
 11x17 SCALE: 1-1/2"=1'-0"
 S-5



CONNECTION DETAIL ELEVATION 3
 22x34 SCALE: 3"=1'-0"
 11x17 SCALE: 1-1/2"=1'-0"
 S-5



CONNECTION DETAIL PLAN 4
 22x34 SCALE: 6"=1'-0"
 11x17 SCALE: 3"=1'-0"
 S-5

**T-MOBILE
 NORTHEAST LLC**

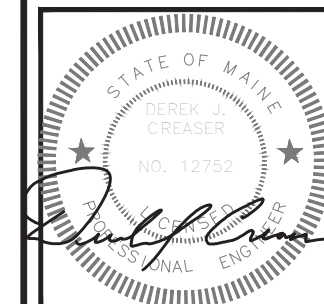
15 COMMERCE WAY, SUITE B
 NORTON, MA 02766
 OFFICE: (508) 286-2700
 FAX: (508) 286-2893



SMARTLINK
 1997 ANNAPOLIS EXCHANGE PKWY SUITE 200
 ANNAPOLIS, MD 21401



1600 OSGOOD STREET
 BUILDING 20 NORTH, SUITE 3090 TEL: (978) 557-5553
 N. ANDOVER, MA 01845 FAX: (978) 336-5586



CHECKED BY: RP

APPROVED BY: DJC

SUBMITTALS

REV.	DATE	DESCRIPTION	BY
0	10/19/17	ISSUED FOR PERMITTING	VP

SITE NUMBER:
 4PB0247A
 SITE NAME:
 PB247/
 ROOSEVELT ARMS
 SITE ADDRESS:
 226 STEVENS AVENUE
 PORTLAND, ME 04102
 CUMBERLAND COUNTY

SHEET TITLE
 STRUCTURAL
 DETAILS
 (L600)

SHEET NUMBER
S-5