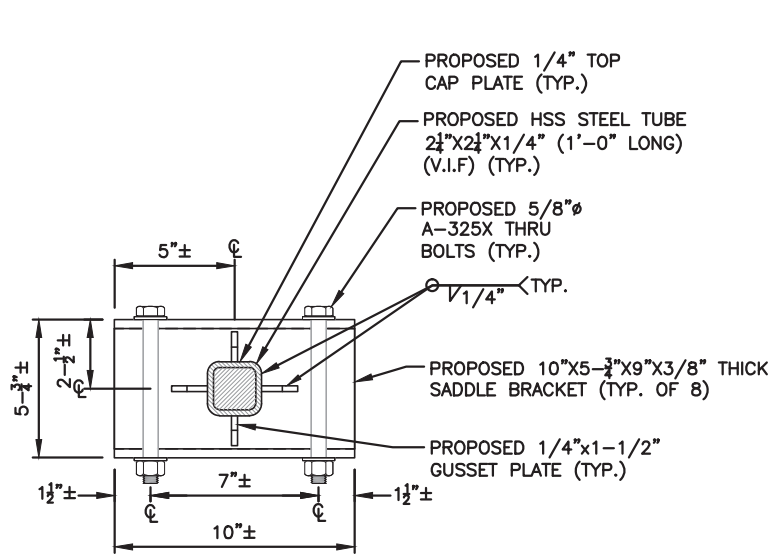


STRUCTURAL NOTES:

PRIOR TO COMMENCING CONSTRUCTION, GC SHALL REFER TO STRUCTURAL ANALYSIS PROVIDED BY HDG, DATED: OCTOBER 12, 2017 TO DETERMINE IF THERE ANY SUPPLEMENTAL OR SPECIAL INSTALLATION REQUIREMENTS, OR RELOCATION ARRANGEMENTS.

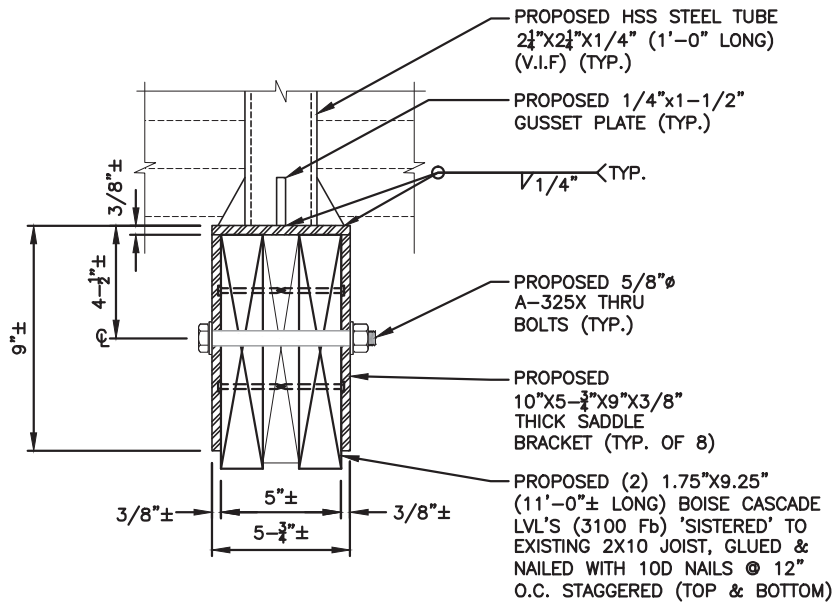
NOTE:

REFER TO THE FINAL RF DATA SHEET FOR FINAL ANTENNA SETTINGS.



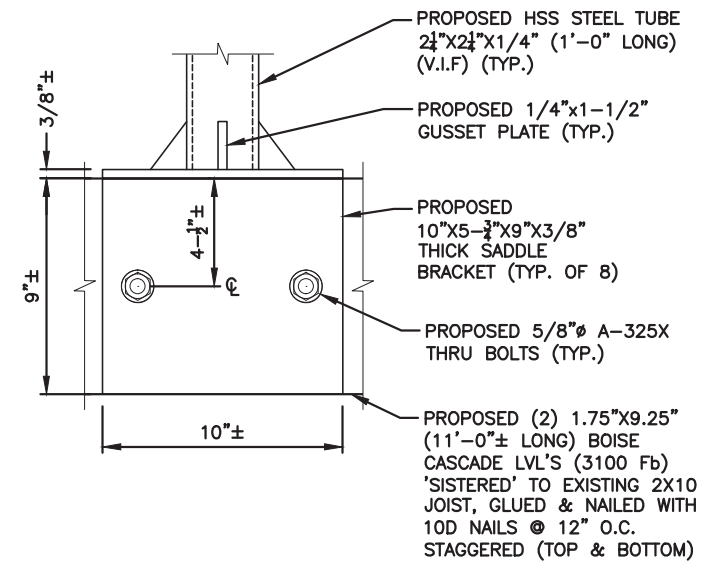
SADDLE BRACKET STUB-UP PLAN 1

22x34 SCALE: 3"=1'-0"
11x17 SCALE: 1-1/2"=1'-0"



SADDLE BRACKET STUB-UP SECTION 2

22x34 SCALE: 3"=1'-0"
11x17 SCALE: 1-1/2"=1'-0"



SADDLE BRACKET STUB-UP SECTION 3

22x34 SCALE: 3"=1'-0"
11x17 SCALE: 1-1/2"=1'-0"



**T-MOBILE
NORTHEAST LLC**

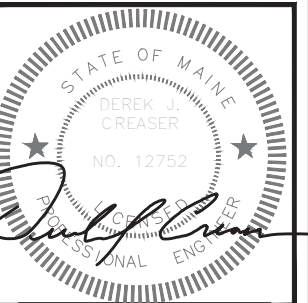
15 COMMERCE WAY, SUITE B
NORTON, MA 02766
OFFICE: (508) 286-2700
FAX: (508) 286-2893



SMARTLINK
1997 ANNAPOLIS EXCHANGE PKWY SUITE 200
ANNAPOLIS, MD 21401



1600 OSGOOD STREET
BUILDING 20 NORTH, SUITE 3090
N. ANDOVER, MA 01845
TEL: (978) 557-5553
FAX: (978) 336-5586



CHECKED BY: RP

APPROVED BY: DJC

SUBMITTALS

REV.	DATE	DESCRIPTION	BY
0	10/19/17	ISSUED FOR PERMITTING	VP

SITE NUMBER:
4PB0247A

SITE NAME:
PB247/
ROOSEVELT ARMS

SITE ADDRESS:
226 STEVENS AVENUE
PORTLAND, ME 04102
CUMBERLAND COUNTY

SHEET TITLE
STRUCTURAL
DETAILS
(L600)

SHEET NUMBER

S-3