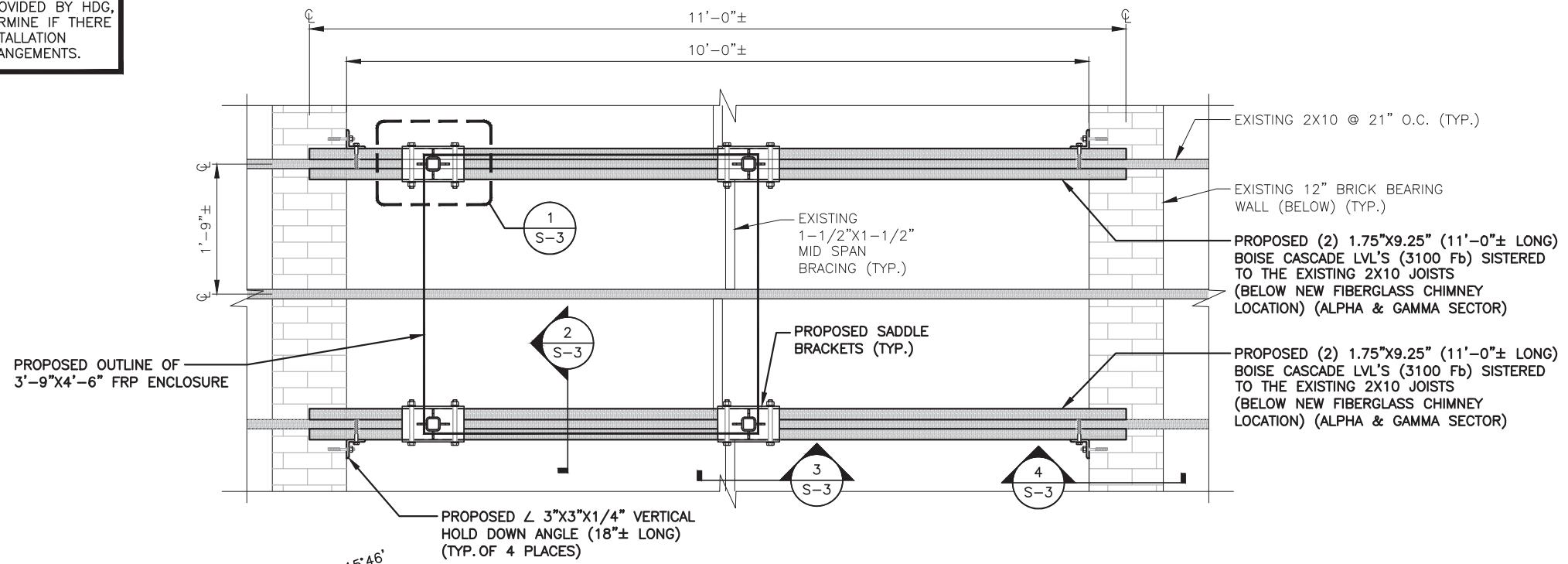


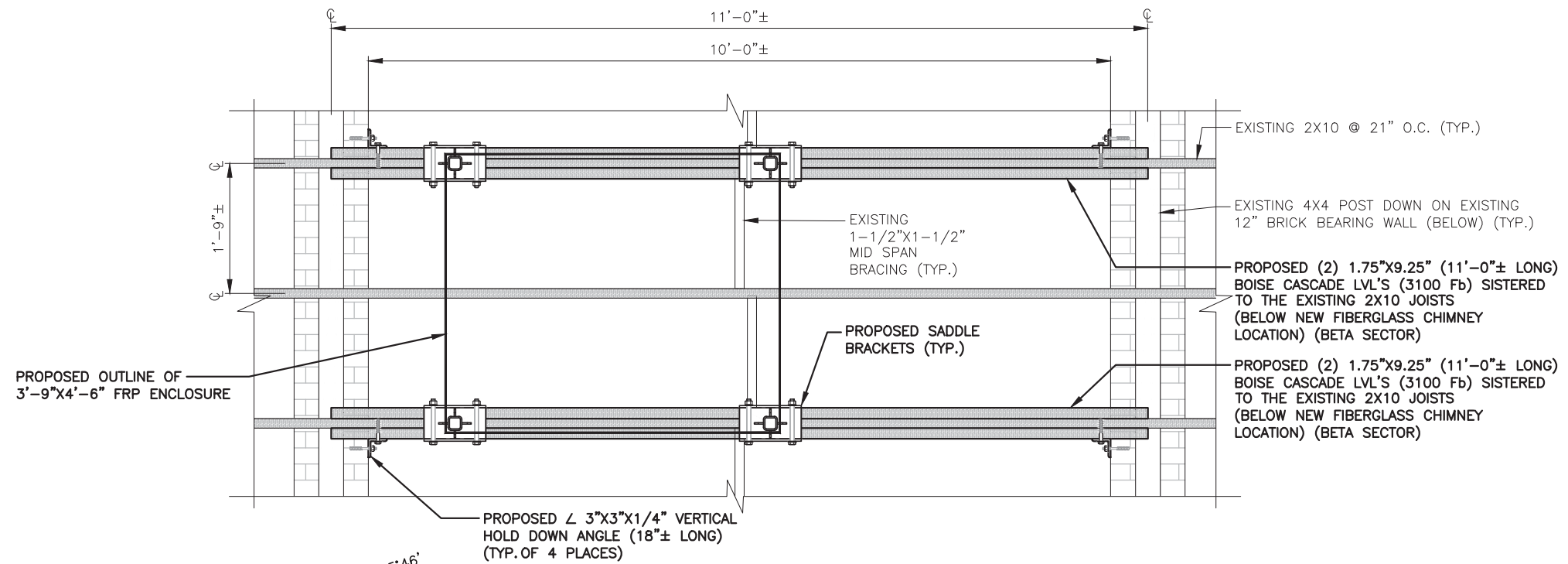
**STRUCTURAL NOTES:**  
 PRIOR TO COMMENCING CONSTRUCTION, GC SHALL REFER TO STRUCTURAL ANALYSIS PROVIDED BY HDG, DATED: OCTOBER 12, 2017 TO DETERMINE IF THERE ANY SUPPLEMENTAL OR SPECIAL INSTALLATION REQUIREMENTS, OR RELOCATION ARRANGEMENTS.

**NOTE:**  
 REFER TO THE FINAL RF DATA SHEET FOR FINAL ANTENNA SETTINGS.



**PROPOSED POST DOWN PLAN (ALPHA & GAMMA SECTOR)**

22x34 SCALE: 1"=1'-0"  
 11x17 SCALE: 1/2"=1'-0"



**PROPOSED POST DOWN PLAN (BETA SECTOR)**

22x34 SCALE: 1"=1'-0"  
 11x17 SCALE: 1/2"=1'-0"



**T-MOBILE NORTHEAST LLC**

15 COMMERCE WAY, SUITE B  
 NORTON, MA 02766  
 OFFICE: (508) 286-2700  
 FAX: (508) 286-2893



SMARTLINK  
 1997 ANNAPOLIS EXCHANGE PKWY SUITE 200  
 ANNAPOLIS, MD 21401



45 BEECHWOOD DRIVE TEL: (978) 557-5553  
 N. ANDOVER, MA 01845 FAX: (978) 336-5586



CHECKED BY: RP

APPROVED BY: DJC

SUBMITTALS			
REV.	DATE	DESCRIPTION	BY
0	10/23/17	ISSUED FOR PERMITTING	VP

SITE NUMBER:  
 4PB0247A  
 SITE NAME:  
 PB247/  
 ROOSEVELT ARMS  
 SITE ADDRESS:  
 226 STEVENS AVENUE  
 PORTLAND, ME 04102  
 CUMBERLAND COUNTY

SHEET TITLE  
 STRUCTURAL  
 DETAILS  
 (L600)

SHEET NUMBER  
**S-2**