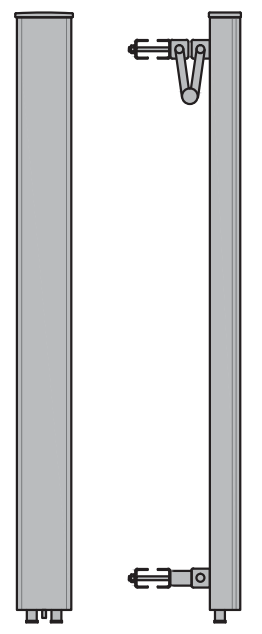
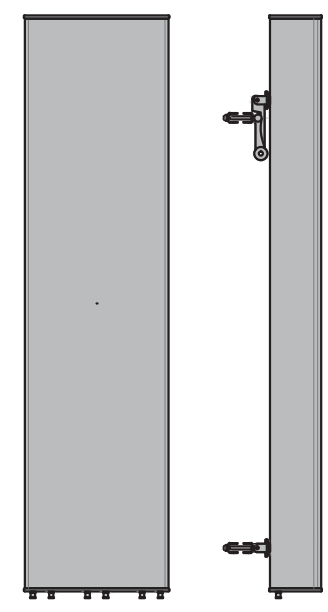


L19+G19+U21 ANTENNA MOUNTING DETAIL
SCALE: N.T.S.

L19+G19+U21 ANTENNA DIMENSIONS	
MODEL #	HBX-9016DS-A2M
MANUF.	COMMSCOPE
HEIGHT	74.7"
WIDTH	6.8"
DEPTH	3.8"
WEIGHT	16.8 LBS



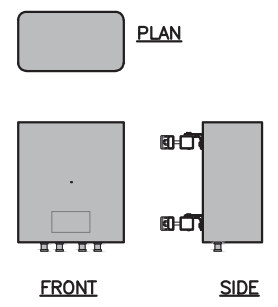
L19+G19+U21 ANTENNA DETAIL
SCALE: N.T.S.



L600 ANTENNA DETAIL
SCALE: N.T.S.

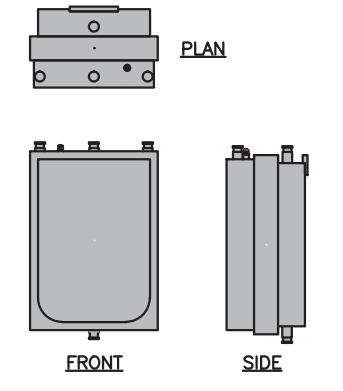
L600 ANTENNA DIMENSIONS	
MODEL #	APXVAA24_43-U-A20 (QUAD)
MANUF.	RFS
HEIGHT	96"
WIDTH	24"
DEPTH	8.5"
WEIGHT	124.4 LBS

RRUS DIMENSIONS	
MODEL #	RRUS 4478 B71
MANUF.	ERICSSON
HEIGHT	15"
WIDTH	13.2"
DEPTH	7.4"
WEIGHT	60 LBS



PROPOSED RRUS DETAIL
SCALE: N.T.S.

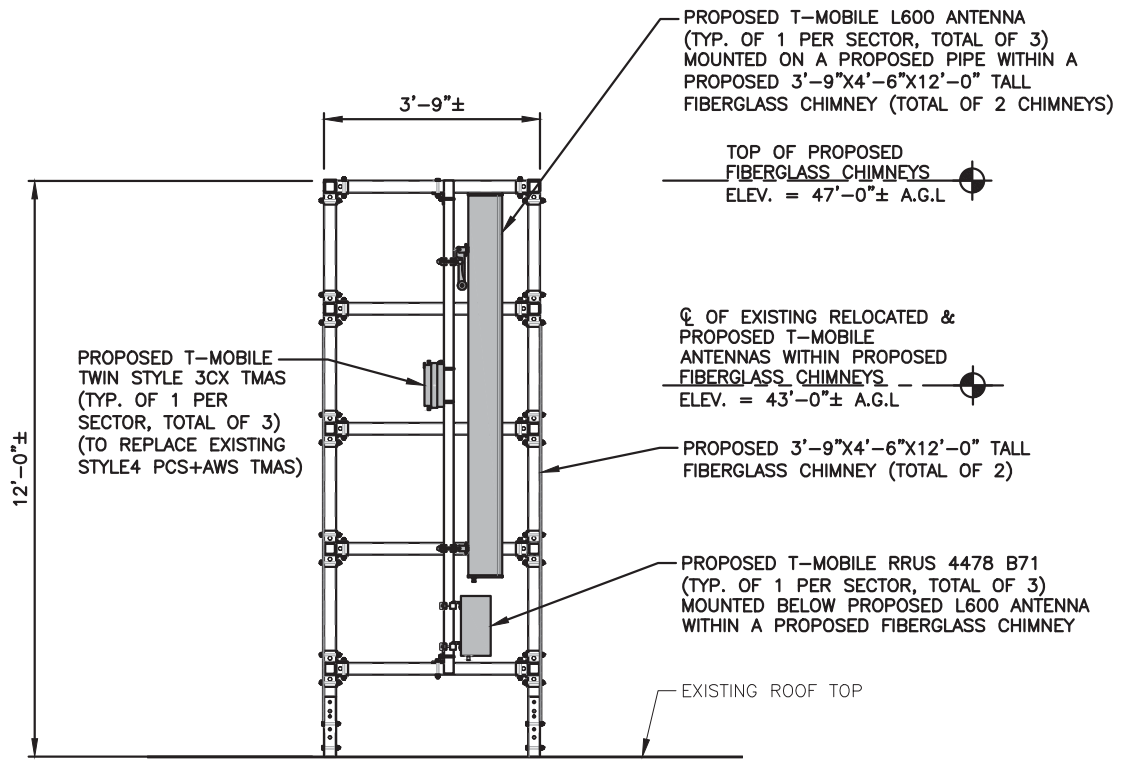
TWIN STYLE 3CX TMA DIMENSIONS	
MODEL #	ATMA4P4DBP-1A20
MANUF.	RFS
HEIGHT	11.2"
WIDTH	8"
DEPTH	4.9"
WEIGHT	15.85 LBS



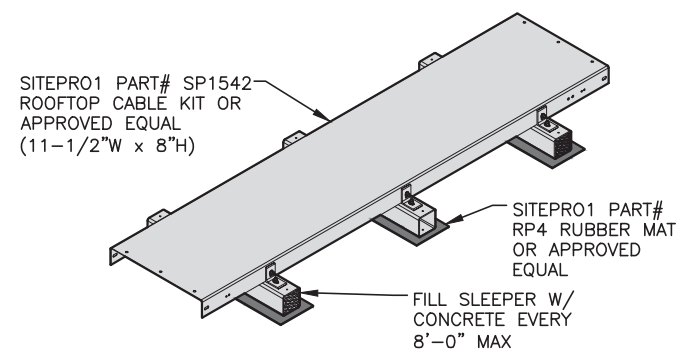
TMA DETAIL
SCALE: N.T.S.

NOTE:
REFER TO THE FINAL RF DATA SHEET FOR FINAL ANTENNA SETTINGS.

STRUCTURAL NOTES:
PRIOR TO COMMENCING CONSTRUCTION, GC SHALL REFER TO STRUCTURAL ANALYSIS PROVIDED BY HDG, DATED: OCTOBER 12, 2017 TO DETERMINE IF THERE ANY SUPPLEMENTAL OR SPECIAL INSTALLATION REQUIREMENTS, OR RELOCATION ARRANGEMENTS.



L600 ANTENNA MOUNTING DETAIL
SCALE: N.T.S.



CABLE TRAY DETAIL
22x34 SCALE: N.T.S.

T-MOBILE NORTHEAST LLC
15 COMMERCE WAY, SUITE B
NORTON, MA 02766
OFFICE: (508) 286-2700
FAX: (508) 286-2893

smartlink
SMARTLINK
1997 ANNAPOLIS EXCHANGE PKWY SUITE 200
ANNAPOLIS, MD 21401

Hudson Design Group
1600 OSGOOD STREET
BUILDING 20 NORTH, SUITE 3090
N. ANDOVER, MA 01845
TEL: (978) 557-5553
FAX: (978) 336-5586

STATE OF MAINE
DEREK J. CREASER
NO. 12752
PROFESSIONAL ENGINEER

CHECKED BY: RP
APPROVED BY: DJC

SUBMITTALS			
REV.	DATE	DESCRIPTION	BY
0	10/19/17	ISSUED FOR PERMITTING	VP

SITE NUMBER:
4PB0247A
SITE NAME:
PB247/
ROOSEVELT ARMS
SITE ADDRESS:
226 STEVENS AVENUE
PORTLAND, ME 04102
CUMBERLAND COUNTY

SHEET TITLE
DETAILS
(L600)

SHEET NUMBER
A-4