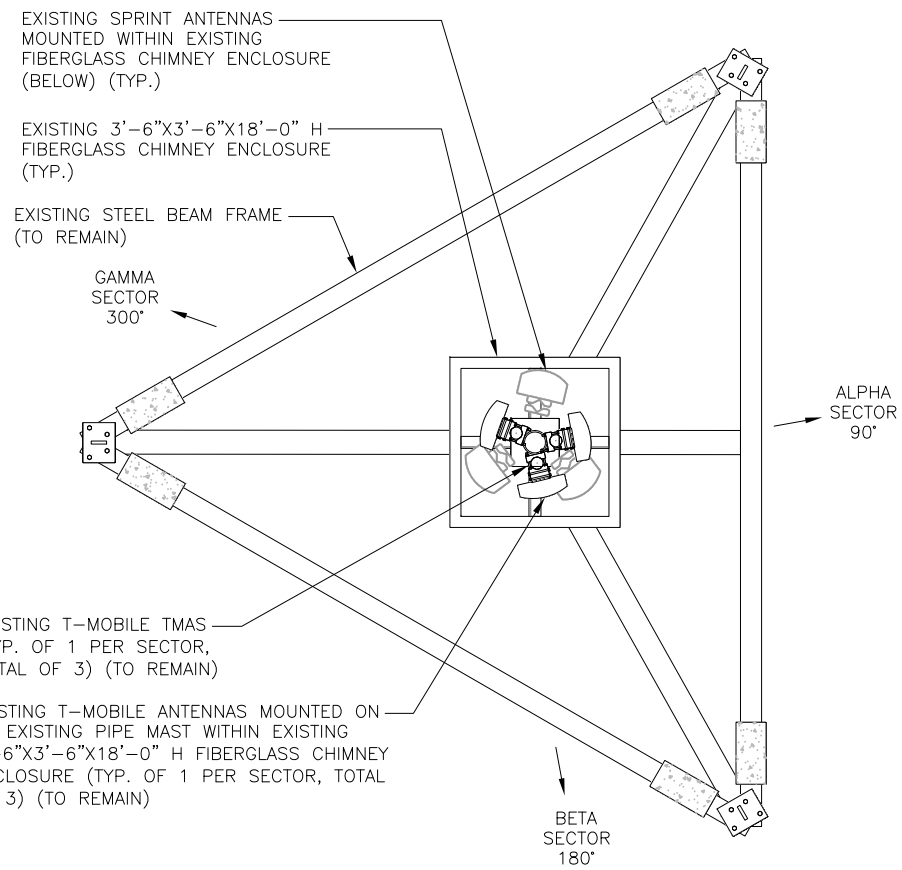


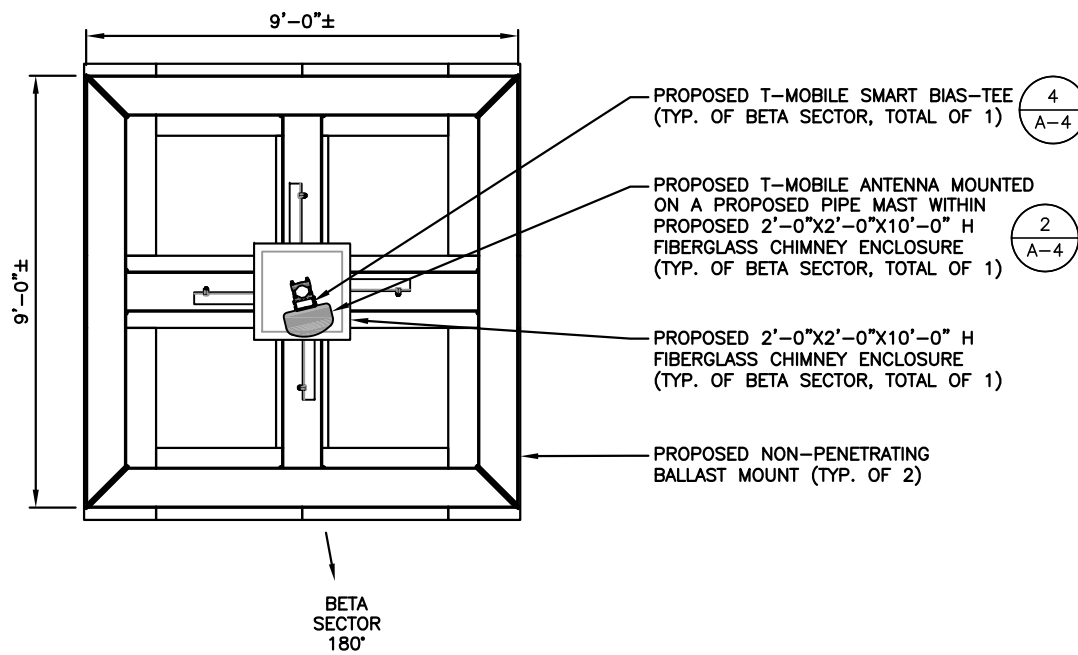
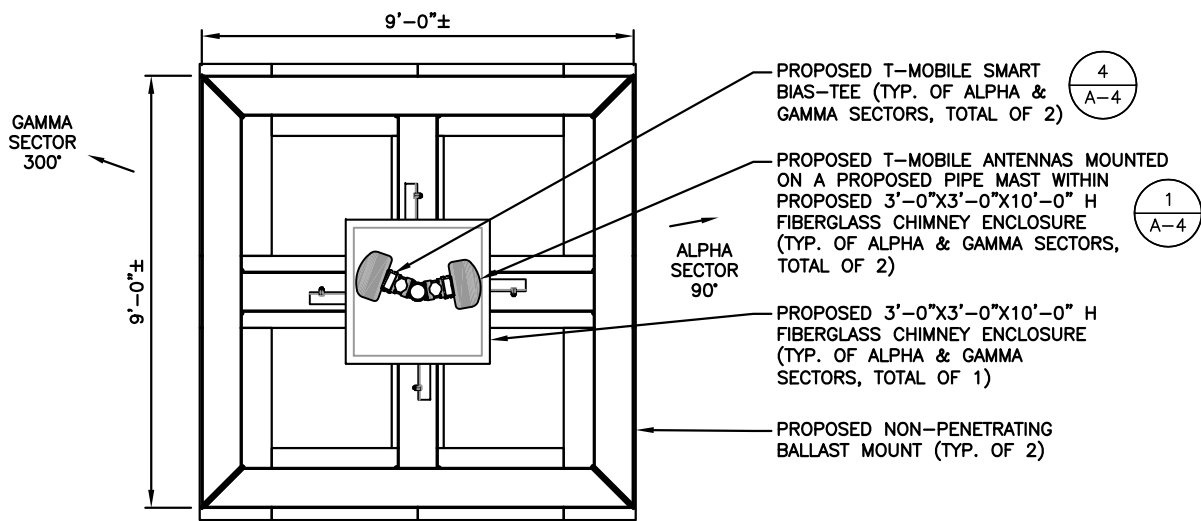
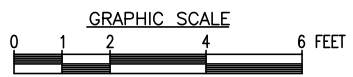
NOTE:
AN ANALYSIS FOR THE CAPACITY OF THE EXISTING STRUCTURES TO SUPPORT THE PROPOSED EQUIPMENT SHALL BE DETERMINED PRIOR TO CONSTRUCTION.

NOTE:
REFER TO THE FINAL RF DATA SHEET FOR FINAL ANTENNA SETTINGS.

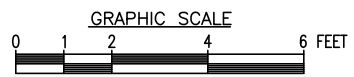
NOTE:
PROPOSED FIBERGLASS CHIMNEY ENCLOSURES TO MATCH EXISTING FAUX BRICK PANELING & FINISH.



EXISTING ANTENNA PLAN (1/A-2)
22x34 SCALE: 1/2"=1'-0"
11x17 SCALE: 1/4"=1'-0"



PROPOSED ANTENNA PLAN (2/A-2)
22x34 SCALE: 1/2"=1'-0"
11x17 SCALE: 1/4"=1'-0"



**T-MOBILE
NORTHEAST LLC**

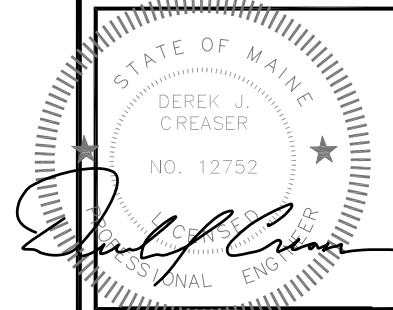
15 COMMERCE WAY, SUITE B
NORTON, MA 02766
OFFICE: (508) 286-2700
FAX: (508) 286-2893



1997 ANNAPOLIS EXCHANGE PKWY
SUITE 200
ANNAPOLIS, MD 21401



1600 OSGOOD STREET
BUILDING 20 NORTH, SUITE 3090
N. ANDOVER, MA 01845
TEL: (978) 557-5553
FAX: (978) 336-5586



CHECKED BY: AT

APPROVED BY: DJC

SUBMITTALS

REV.	DATE	DESCRIPTION	BY
1	01/25/16	ISSUED FOR PERMITTING	VP
0	12/15/15	ISSUED FOR REVIEW	VP

SITE NUMBER:
4PB0247A
SITE NAME:
PB247/ROOSEVELT
ARMS
SITE ADDRESS:
226 STEVENS AVENUE
PORTLAND, ME 04102
CUMBERLAND COUNTY

SHEET TITLE
EXISTING/PROPOSED
ANTENNA PLANS

SHEET NUMBER
A-2