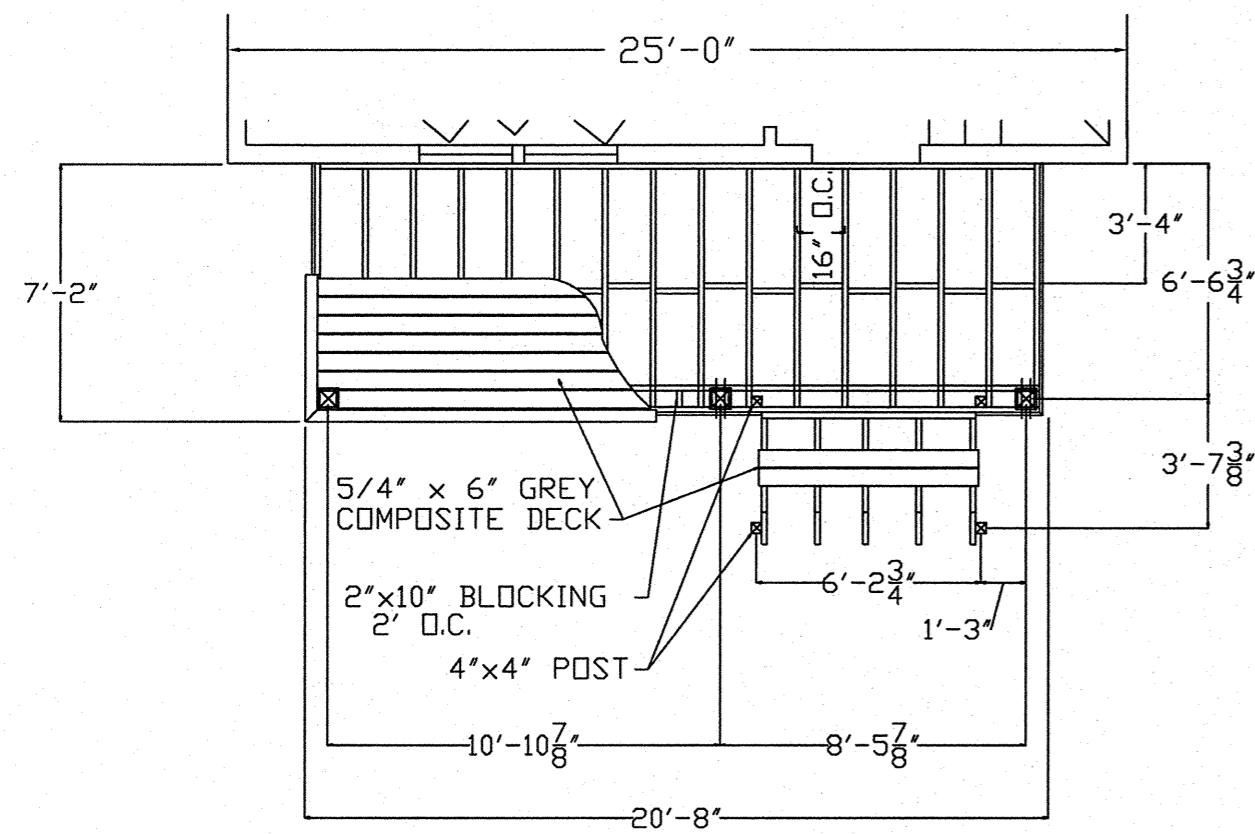




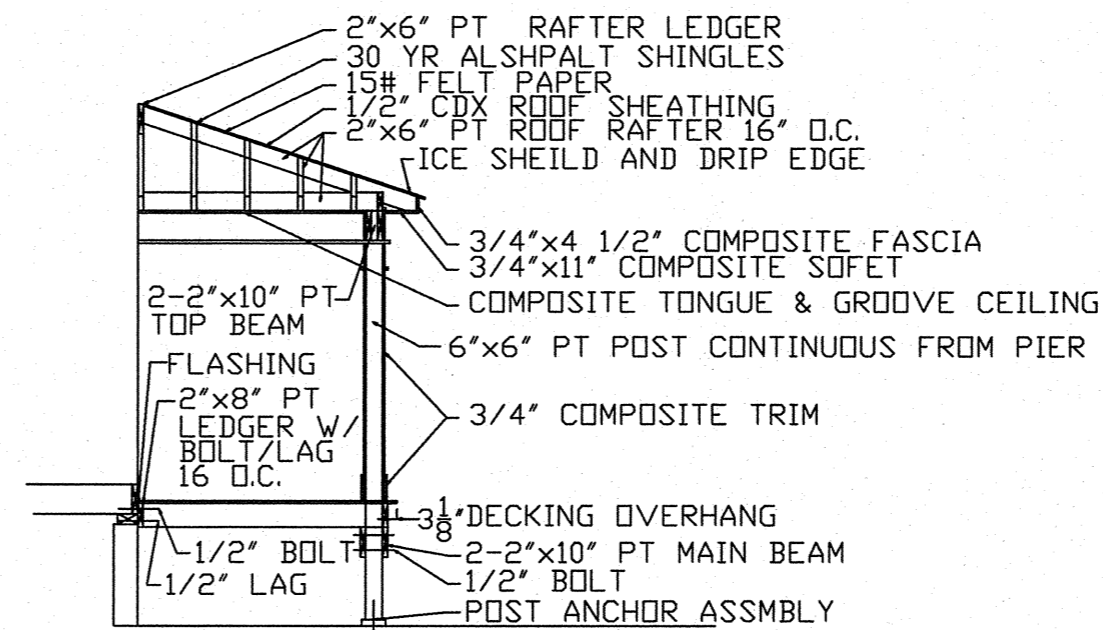
FRONT_ELEVATION



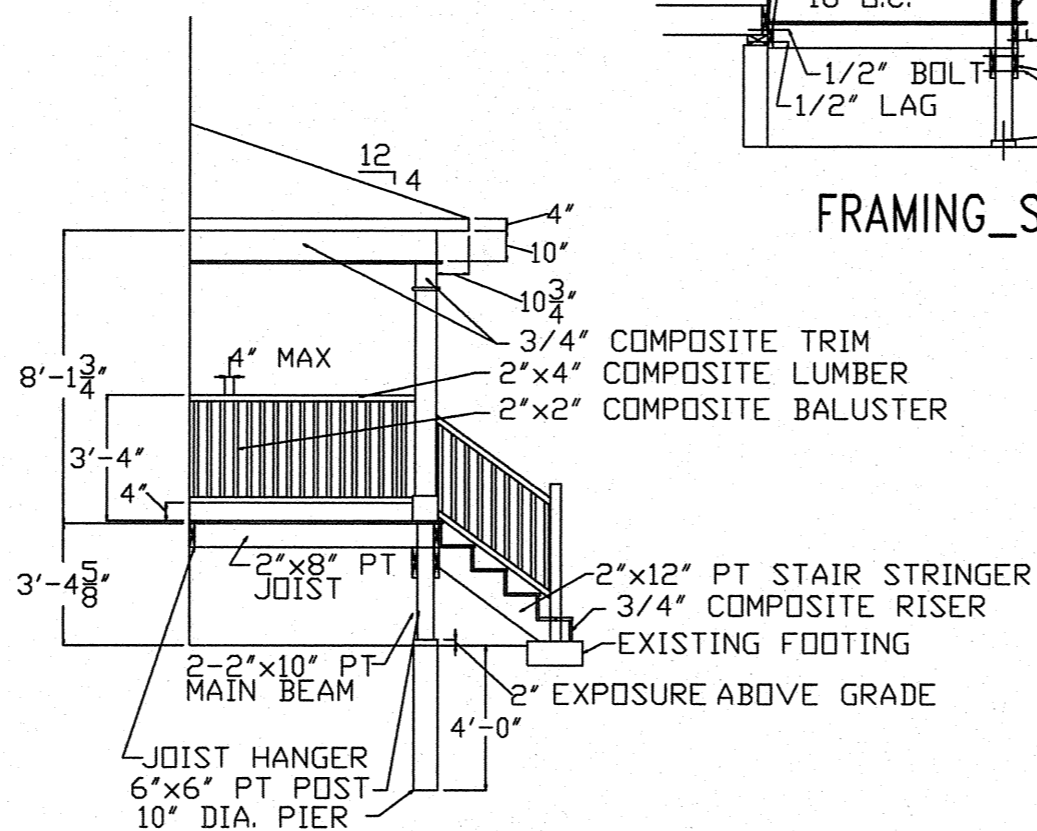
LEFT_ELEVATION



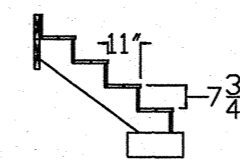
FRAMING PLANE



FRAMING_SECTION



ELEVATION_DETAIL



STAIR_DETAIL

22_CALDWELL_ST
FRONT_PORCH

FRONT_PORCH_ADDITION

FRONT_PORCH_ELEVATIONS
& FRAMING_DETAILS

DWG. NO. CFPASB01

