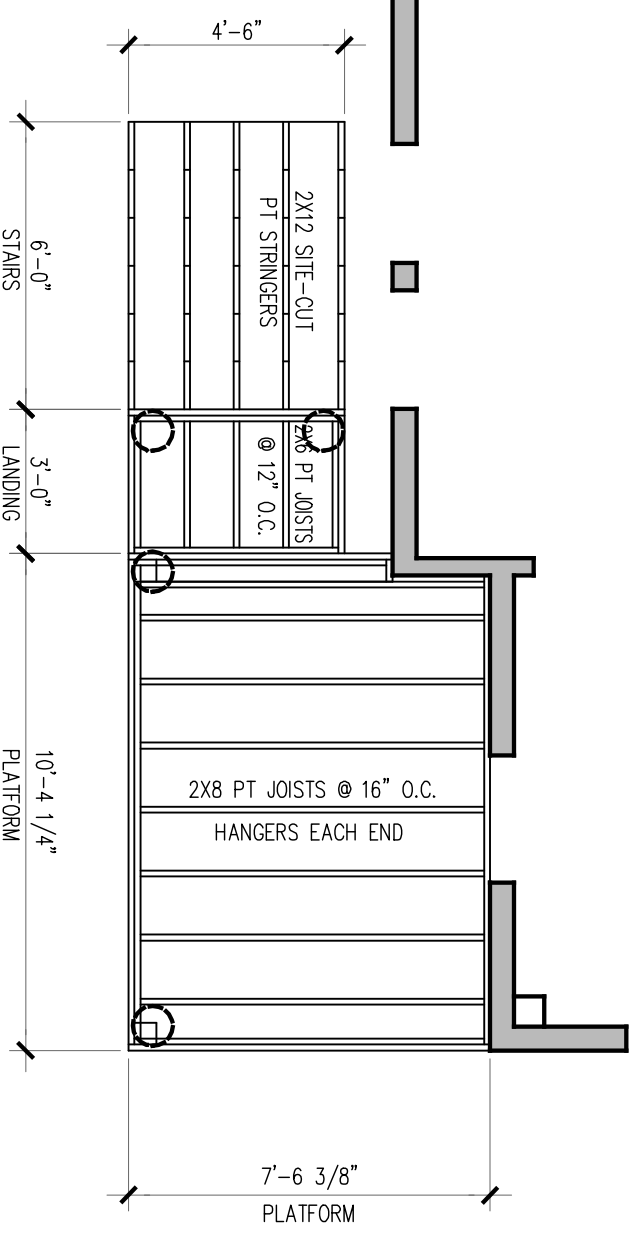
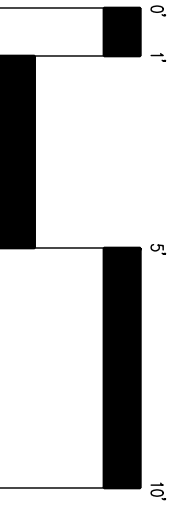


**FIRST FLOOR
MUDROOM FRAMING PLAN**



I D



I C

C' I

D'

A3.0

| | |
|-------|------------|
| BY | RW |
| DATE | 08.24.15 |
| SCALE | 1/4"=1'-0" |

**FIRST FLOOR
MUDROOM
FRAMING PLAN**

HILLIS STREET RESIDENCE
PORTLAND, MAINE

187 anderson street
portland - maine - 04101
1.207.776.2287
www.portlandrenovations.com

