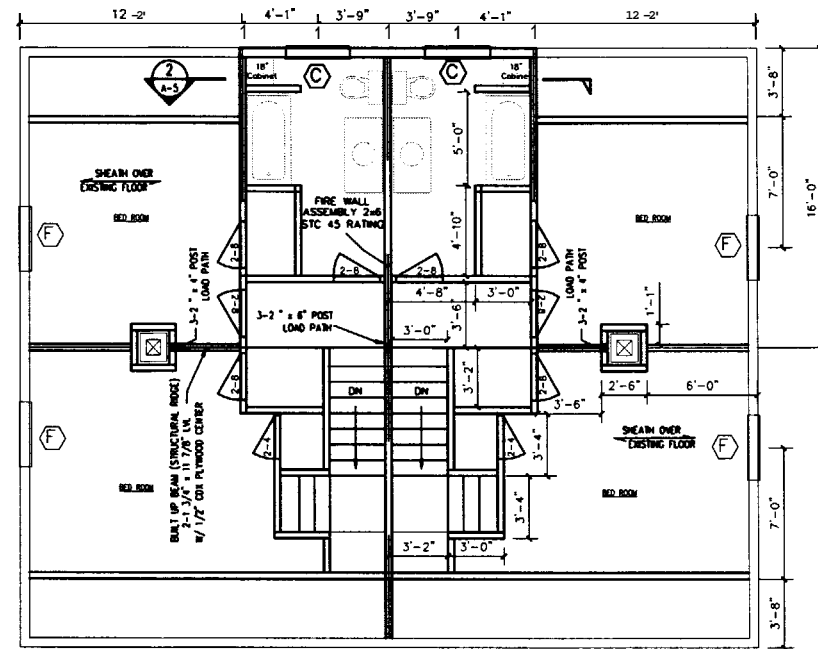


REPAIR AND REPLACE EXISTING ENTRY STAIRS AND AWING IN KIND

LEFT HAND UNIT IS MIRROR IMAGE OF RIGHT



SECOND FLOOR PLAN
SCALE: 1/4"=1'-0"

LEFT HAND UNIT IS MIRROR IMAGE OF RIGHT

GENERAL NOTES:

1. SUBSTITUTE MATERIALS AND/OR SIZES AND GRADES PER CONTRACTOR'S SPECIFICATIONS.
2. CONT. TO VERIFY ALL MATERIALS/SPANS PER MANUFACTURER'S SPECIFICATIONS PRIOR TO CONSTRUCTION

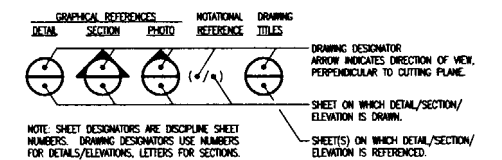
DOOR SCHEDULE				
SYMB	MODEL NUMBER	MANUFACTURER	NOMINAL SIZE	REMARKS
①	4LT	STANLEY	3'-0" x 6'-8"	EXTERIOR DOOR - STEEL 6 PANEL MOULDED
②	2'8" x 8'0"	MASONITE	2/8" x 8'0"	HOLLOW CORE INTERIOR CASED 6 PANEL
③	2'4" x 8'0"	MASONITE	2/4" x 8'0"	HOLLOW CORE INTERIOR CASED 6 PANEL
④	-	-	-	-
⑤	-	-	-	-

WINDOW SCHEDULE				
SYMB	MODEL NUMBER	MANUFACTURER	STYLE	REMARKS
A	SERIES 1000 RO 46 1/4" X 69 1/4"	AMERICAN CRAFTSMAN	DOUBLE-HUNG	EGRESS CLEAR OPENING 8.78 FT ² 3/8 X 5/8 NOMINAL
B	SERIES 1000 RO 42 1/4" X 53 1/4"	AMERICAN CRAFTSMAN	DOUBLE-HUNG	EGRESS CLEAR OPENING 5.84 FT ² 3/4 X 4/2 NOMINAL
C	SERIES 1000 RO 38 1/4" X 53 1/4"	AMERICAN CRAFTSMAN	DOUBLE-HUNG	CLEAR OPENING 5.22 FT ² 3/0 X 4/2 NOMINAL
D	SERIES 2804 RO 84 1/2" X 47 1/2"	AMERICAN CRAFTSMAN	SLIDING WINDOW	CLEAR OPENING 4.73 FT ² 7/0 X 4/0 NOMINAL
E	SERIES 2802 RO 36 1/2" X 35 1/2"	AMERICAN CRAFTSMAN	SLIDING WINDOW	CLEAR OPENING 3.0 X 3/0 NOMINAL
F	EXISTING WINDOW 30" W X 36" H NOMINAL	EXISTING	DOUBLE HUNG	-

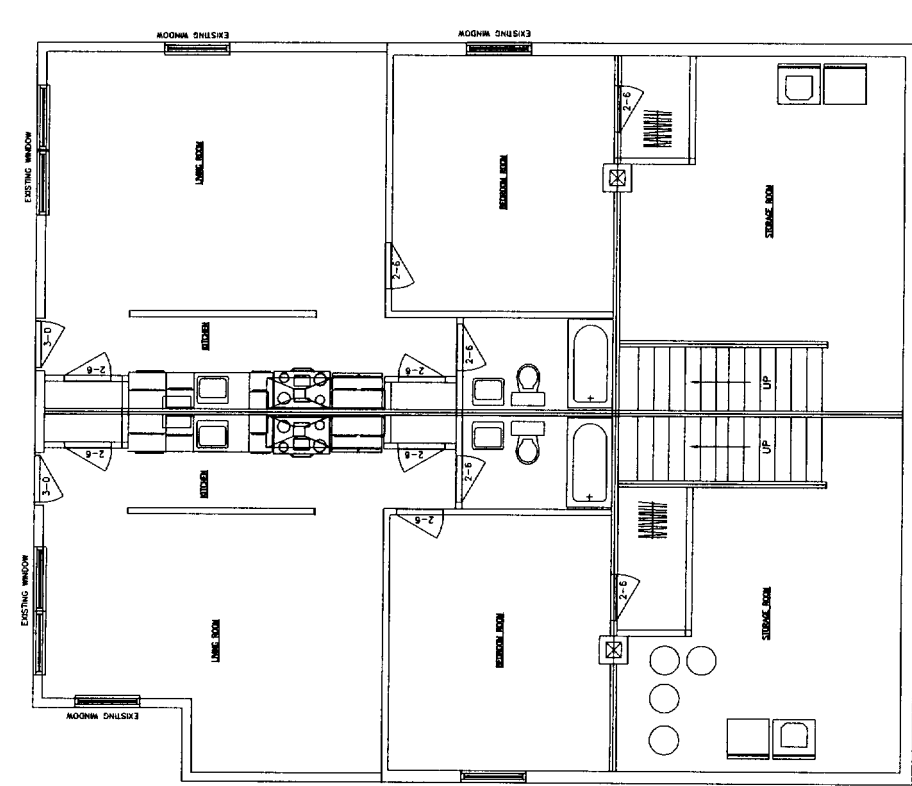
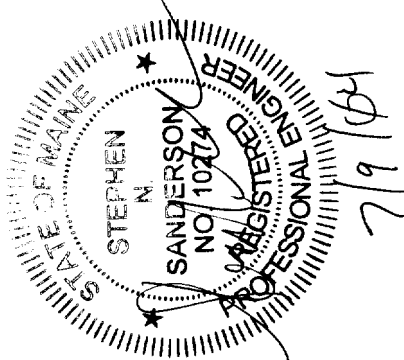
LEGEND

- (X) WINDOW TYPE (SEE SCHEDULE)
- (X) DOOR TYPE (SEE SCHEDULE)

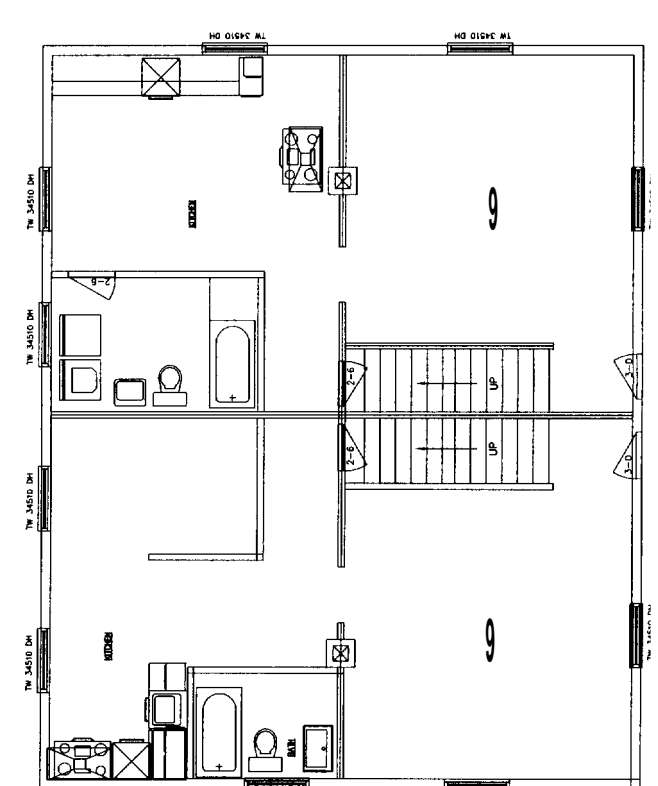
DRAWING REFERENCE SYSTEM



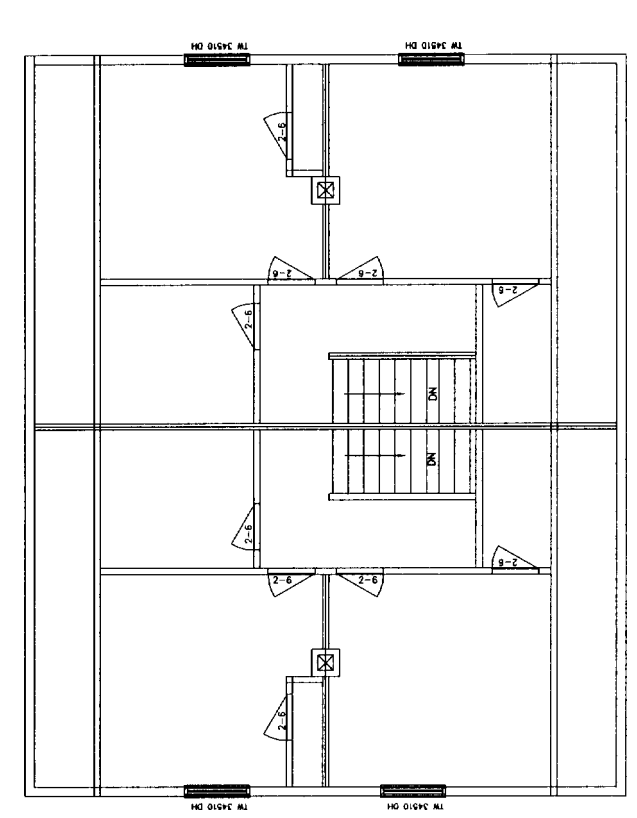
CLIENT	161-163 GRANT STREET PORTLAND, MAINE		
RECONFIGURED FLOOR PLAN			
DRAWN BY:	SNS	SCALE:	AS NOTED
DATE:		DATE:	06-30-04
REV.	DATE	DESCRIPTION	



DAYLIGHT BASEMENT PLAN
SCALE: 1/4"=1'-0"



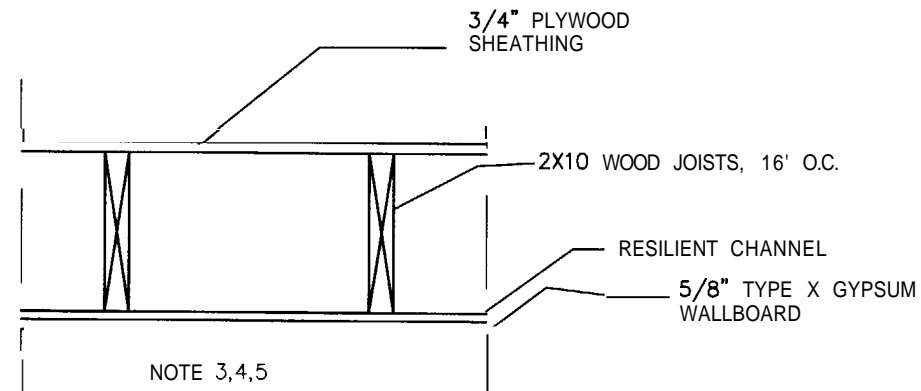
FIRST FLOOR PLAN
SCALE: 1/4"=1'-0"



SECOND FLOOR PLAN
SCALE: 1/4"=1'-0"

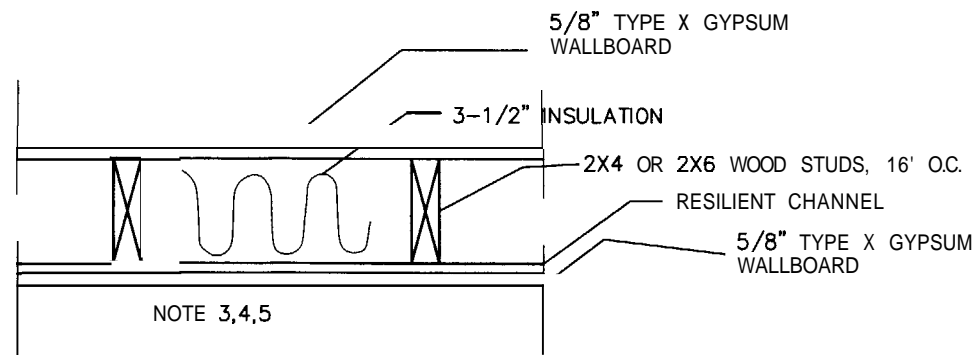
- GENERAL NOTES:
1. SUBSTITUTE MATERIALS AND/OR SIZES AND GRADES PER CONTRACTOR'S SPECIFICATIONS.
 2. CONT. TO VERIFY ALL MATERIALS/SPANS PER MANUFACTURER'S SPECIFICATIONS PRIOR TO CONSTRUCTION.

CLIENT		161-163 GRANT STREET PORTLAND, MAINE	
DRAWN BY:		SMS	SCALE: AS SHOWN
DATE:		7/9/04	DATE: 7/9/04
FOR APPROVAL		DRAWING NUMBER: A-2	
REV.	DESCRIPTION	REV. DATE	
A			



DETAIL 1
SCALE : NTS (A-5)

TYPICAL FLOOR-CEILING SYSTEM
1 HOUR FIRE AND STC 45 SOUND RATING



DETAIL 2
SCALE : NTS (A-1)

TYPICAL FIREWALL SYSTEM
1 HOUR FIRE AND STC 45 SOUND RATING

GENERAL NOTES:

1. SUBSTITUTE MATERIALS AND/OR SIZES AND GRADES PER CONTRACTORS SPECIFICATIONS.
2. CONT. TO VERIFY ALL MATERIALS/SPANS PER MANUFACTURERS SPECIFICATIONS PRIOR TO CONSTRUCTION
3. ONE LAYER 5/8" TYPE X GYPSUM WALLBOARD APPLIED AT RIGHT ANGLES TO RESILIENT FURRING CHANNELS 24" O.C. WITH 1" TYPE S DRYWALL SCREWS 12" O.C.
4. RESILIENT FURRING CHANNELS APPLIED AT RIGHT ANGLES TO 2X10 WOOD JOISTS 16" O.C. WITH 6D COATED NAILS, 2" LONG, 0.113" SHANK, 17/64" HEAD.
5. CALK OPENINGS AROUND PIPES, FIXTURES, AND OTHER ITEMS PROJECTING THROUGH FIRE RATED GYPSUM ASSEMBLYS FIRE TYPE F FIRE RATED CALK.

12WC 3015WC 15WC 21WC

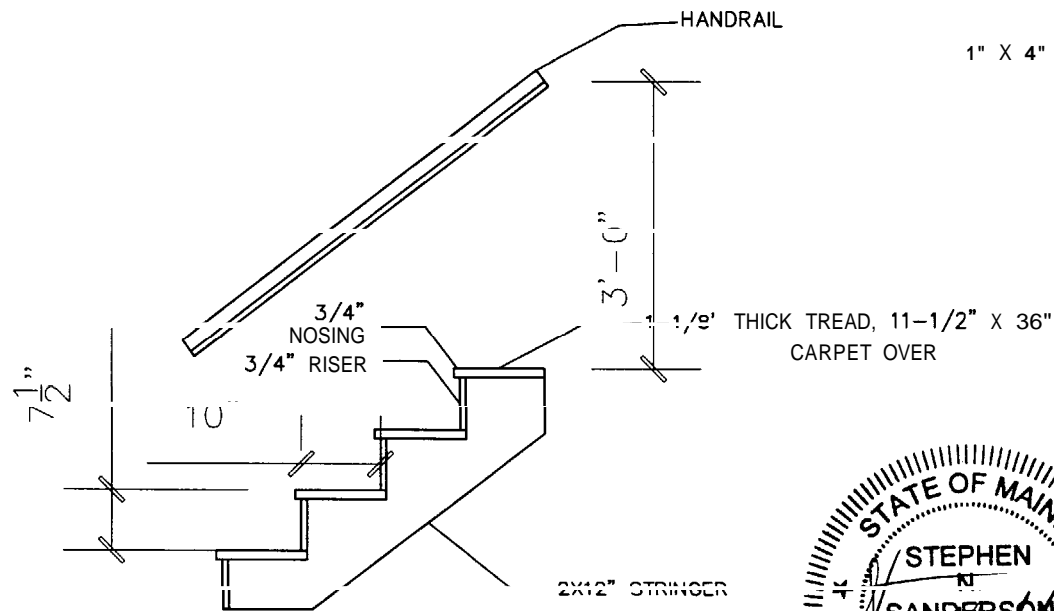
TYPICAL KITCHEN WALL CABINET SCHEDULE

12BC RANGE 18BC 36SB 24Dish Washer

TYPICAL KITCHEN BASE CABINET SCHEDULE

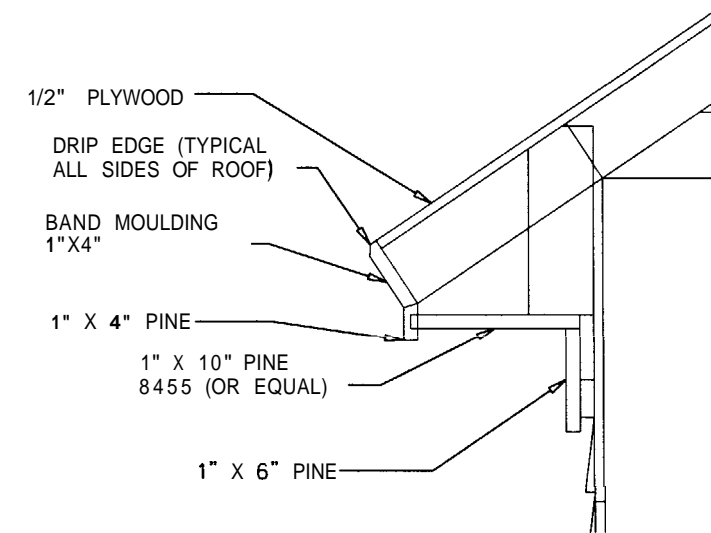
24BC 36PD 36BC REF.

TYPICAL KITCHEN ISLAND CABINET SCHEDULE



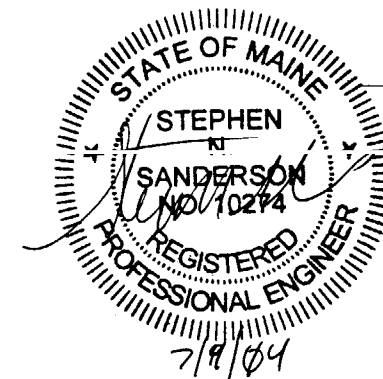
DETAIL 4
SCALE : NTS (A-5)

TYPICAL STAIR



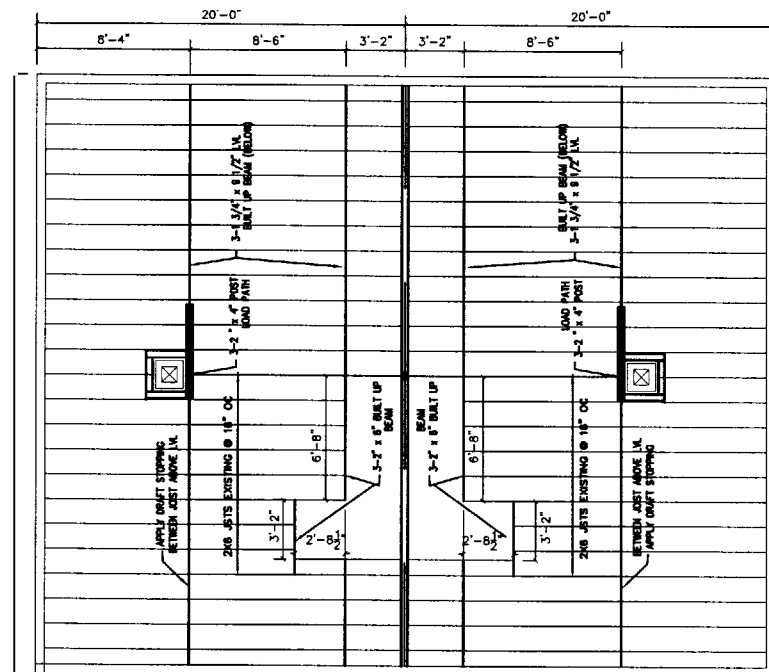
DETAIL 3
SCALE : 3/4" = 1'-0" (A-5)

TYPICAL OVERHANG & FASCIA DETAIL

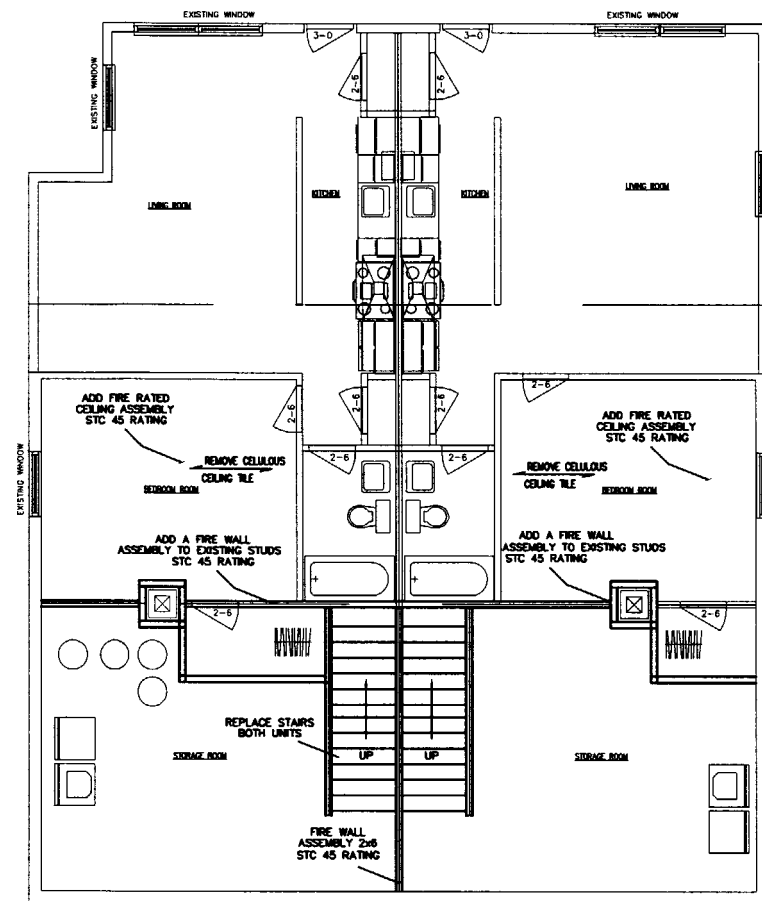


REV.	DATE	DESCRIPTION
A	7/08/04	FOR APPROVAL

CLIENT 161-163 GRANT STREET PORTLAND, MAINE		
MISC. DETAILS		
DRAWN BY: SMS	SCALE: AS NOTED	DATE: 06-30-04
DRAWING NUMBER A-3		REV.



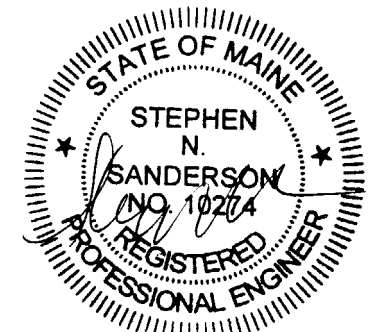
SECOND FLOOR FRAMING
SCALE: 1/4"=1'-0"



DAYLIGHT BASEMENT PLAN
SCALE: 1/4"=1'-0"

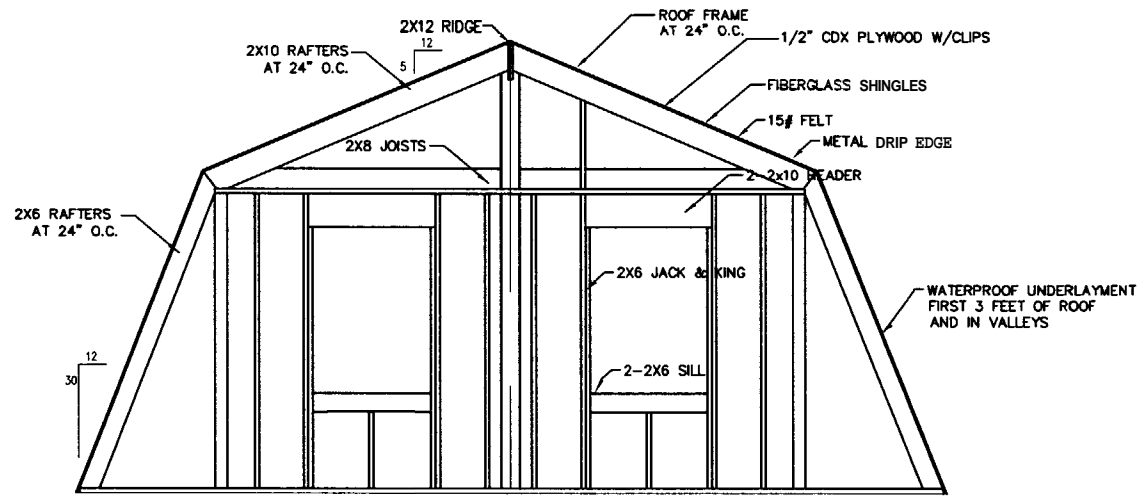
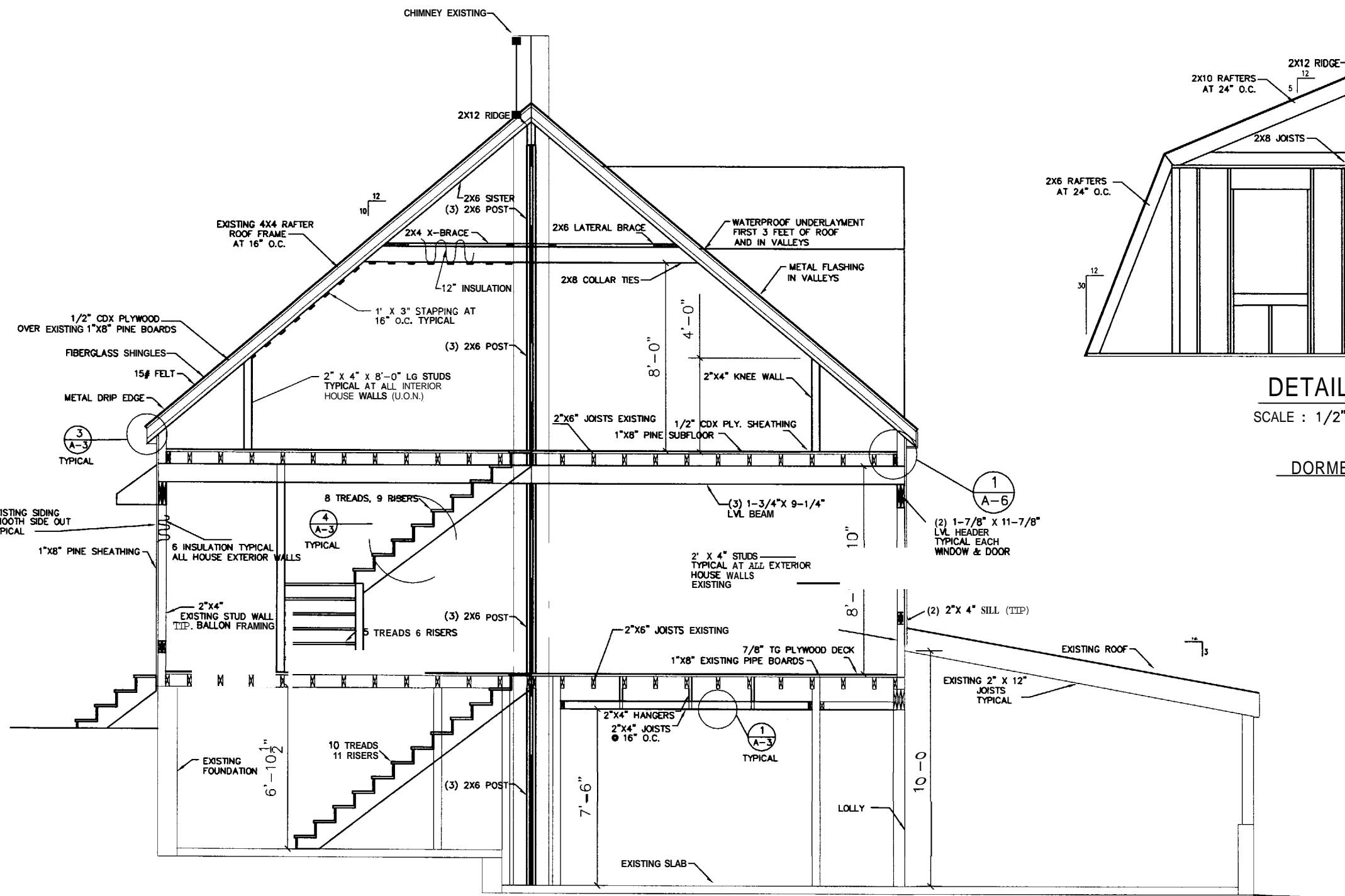
GENERAL NOTES:

1. CALK OPENINGS AROUND PIPES, FIXTURES, AND OTHER ITEMS PROJECTING THROUGH FIRE RATED GYPSUM ASSEMBLYS FIRE TYPE F FIRE RATED CALK.



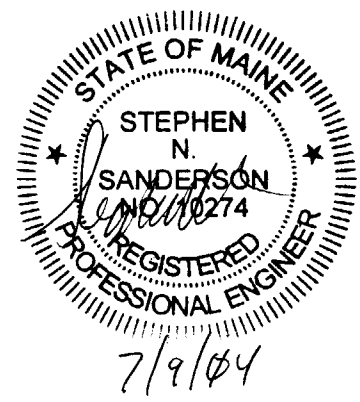
7/09/04

CLIENT		200 STEVENS AVENUE PORTLAND, MAINE	
FRAMING AND DAYLIGHT BASMENT REPAIRS AND ALTERATIONS			
DRAWN BY	SNS	SCALE	AS NOTED
DATE	05-09-02		
DRAWING NUMBER		A-4	
REV	DAF	F a APPROVAL	DESCRIPTION



DETAIL 2
 SCALE: 1/2" = 1'-0" A-1
DORMER ELEVATION

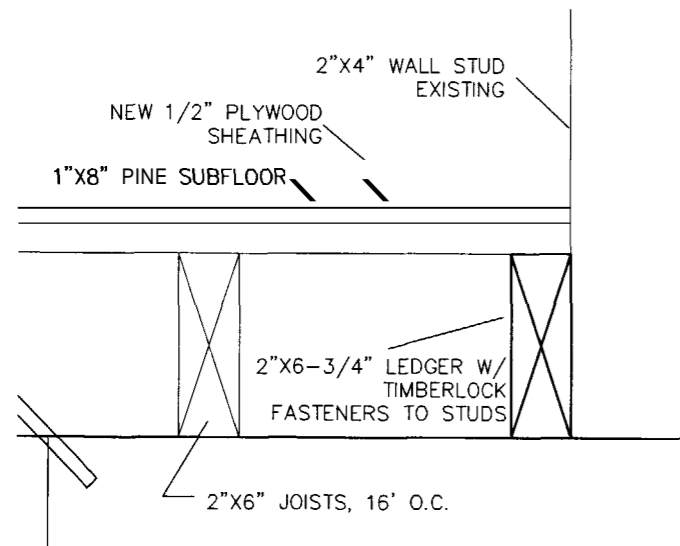
SECTION A
 SCALE: 1/2" = 1'-8"



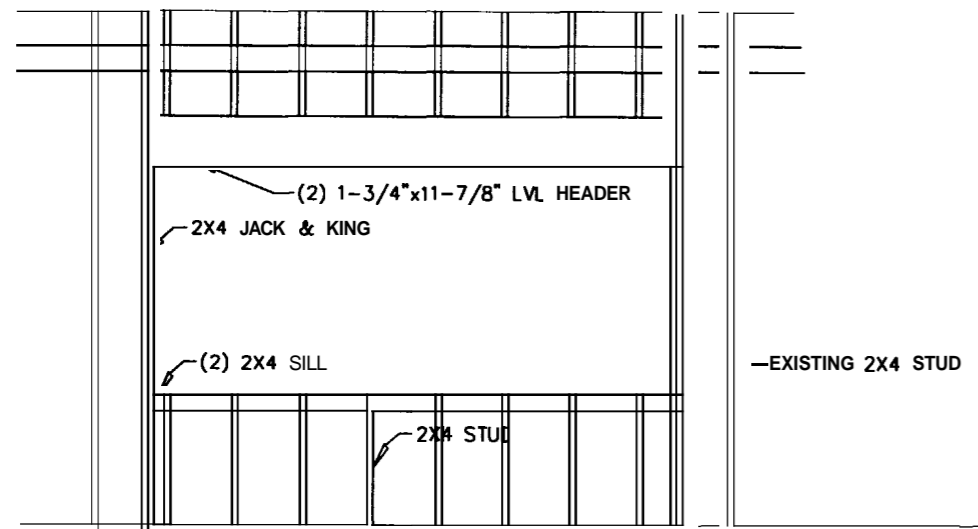
GENERAL NOTES:
 1. SUBSTITUTE MATERIALS AND/OR SIZES AND GRADES PER CONTRACTOR'S SPECIFICATIONS.
 2. CONT. TO VERIFY ALL MATERIALS/SPANS PER MANUFACTURER'S SPECIFICATIONS PRIOR TO CONSTRUCTION.

REV.	DATE	DESCRIPTION
A	7/08/04	FOR APPROVAL

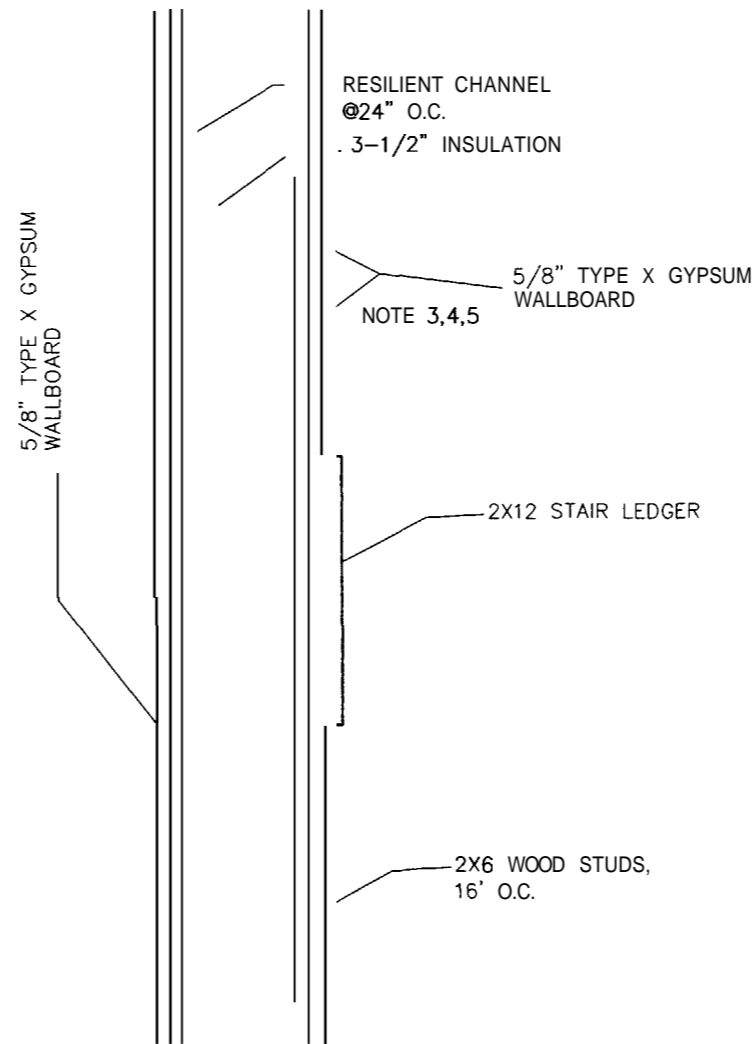
CLIENT			161-163 GRANT STREET PORTLAND, MAINE		
SECTIONS AND DETAILS					
DRAWN BY:	SMS	SCALE:	AS NOTED	DATE:	05-09-02
DRAWING NUMBER				A-5	
					△ REV.



DETAIL 1
 SCALE : NTS A5
 TYPICAL FLOOR REPAIR

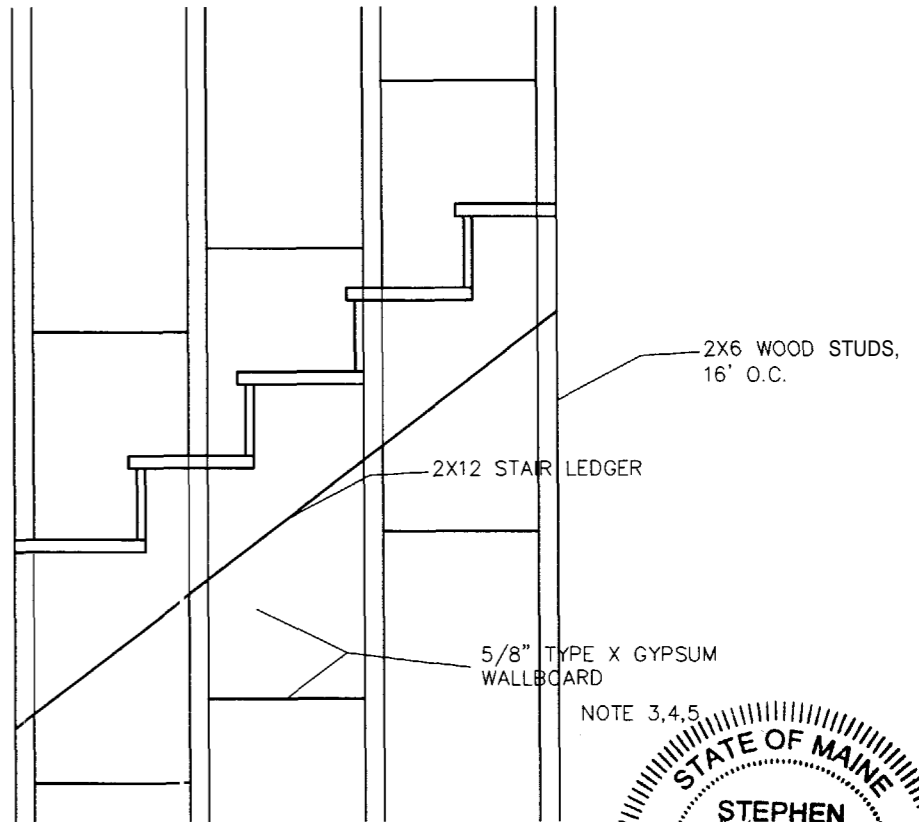


DETAIL 4
 SCALE : NTS A6
 TYPICAL WINDOW FRAMING



DETAIL 2
 SCALE : NTS A- 1

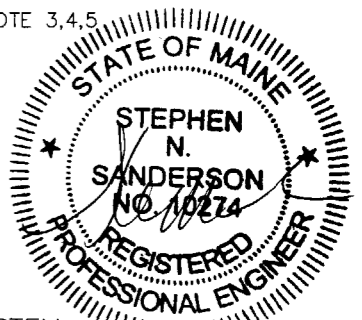
TYPICAL STAIR ELEVATION FIREWALL SYSTEM
 1 HOUR FIRE AND STC 45 SOUND RATING



DETAIL 3
 SCALE : NTS A- 6

TYPICAL STAIR ELEVATION FIREWALL SYSTEM
 1 HOUR FIRE AND STC 45 SOUND RATING

- GENERAL NOTES:**
1. SUBSTITUTE MATERIALS AND/OR SIZES AND GRADES PER CONTRACTOR'S SPECIFICATIONS.
 2. CONT. TO VERIFY ALL MATERIALS/SPANS PER MANUFACTURER'S SPECIFICATIONS PRIOR TO CONSTRUCTION.
 3. ONE LAYER 5/8" TYPE X GYPSUM WALLBOARD APPLIED AT RIGHT ANGLES TO RESILIENT FURRING CHANNELS 24" O.C. WITH 1" TYPE S DRYWALL SCREWS 12" O.C.
 4. RESILIENT FURRING CHANNELS APPLIED AT RIGHT ANGLES TO 2X10 WOOD JOISTS 16" O.C. WITH 6D COATED NAILS, 2" LONG, 0.113" SHANK, 17/64" HEAD.
 5. CALK OPENINGS AROUND PIPES, FIXTURES, AND OTHER ITEMS PROJECTING THROUGH FIRE RATED GYMSUM ASSEMBLYS FIRE TYPE F FIRE RATED CALK



7/9/04

CLIENT		161-163 GRANT STREET PORTLAND, MAINE	
		MISC. DETAILS	
DRAWN BY:	SMS	SCALE:	AS NOTED
		DATE:	06-30-04
REV.	DATE	DESCRIPTION	
A	7/08/04	FOR APPROVAL	
DRAWING NUMBER		A- 6	