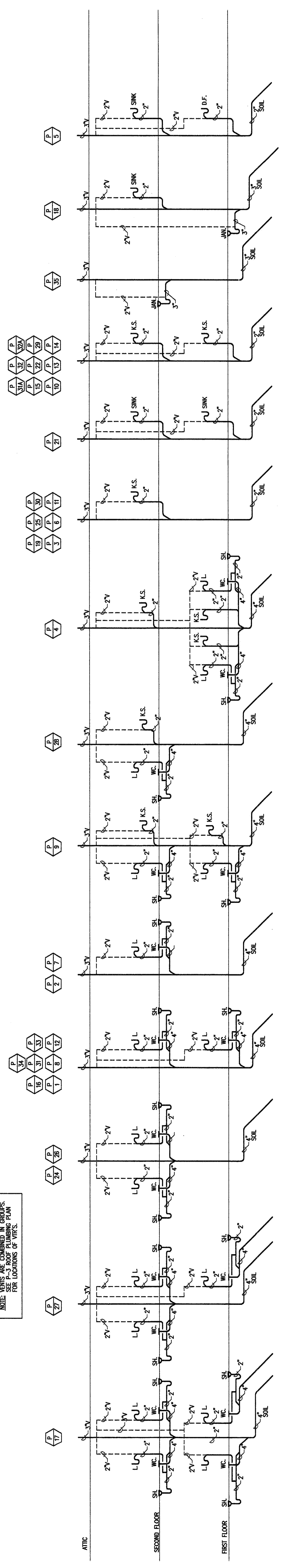
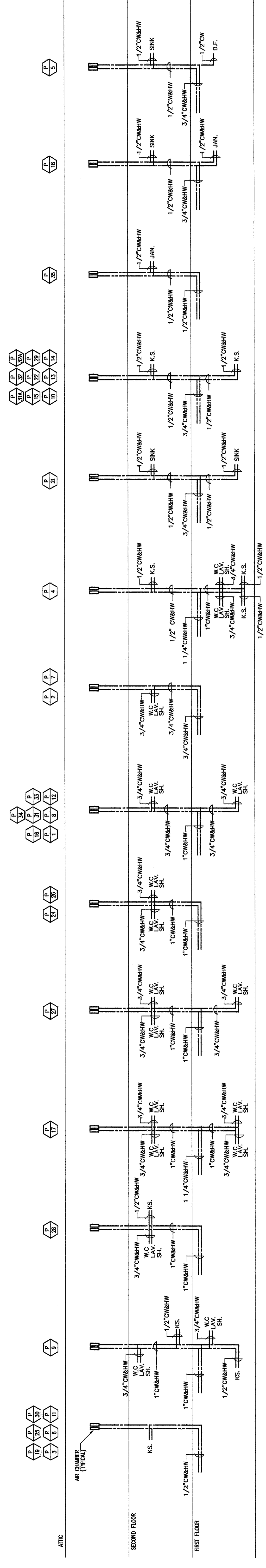


NOTE: VENTS ARE COMBINED IN GROUPS FOR CLARITY OF WIRING.



SANITARY RISER DIAGRAMS.
NLS



DOMESTIC WATER RISER DIAGRAMS.
NLS

Revisions	No.	Date
GENERAL REVISIONS	1	03/20/06
FINAL PRICING	2	10/05/06
HUD FIRM COMMITMENT	3	11/22/06

Project: _____

THE INN
AT CEDARS

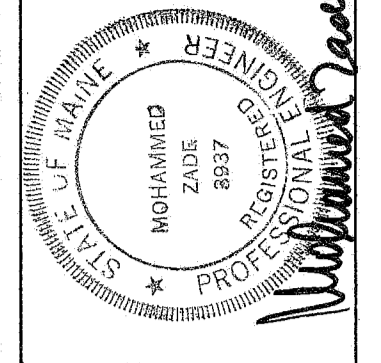
PORTLAND, MAINE

Drawing Title

PLUMBING
RISER DIAGRAMS

Tsonides Associates
Architects and Planners
369 Elliot Street
Newton Upper Falls, MA 02464
(617) 969-4774 Fax (617) 969-4793
e-mail: info@tsonides.com www.tsonides.com

DATE PLOTTED: 5/24/05 10:50:00
SCALE: 1/8" = 1'-0"
DRAWING NUMBER: _____



P-4

ZADE COMPANY INC.
CONSULTING ENGINEERS
140 BEACON STREET, BOSTON, MA 02111
TEL: (617) 338-4400
FAX: (617) 338-4401
WWW.ZADECOMPANY.COM