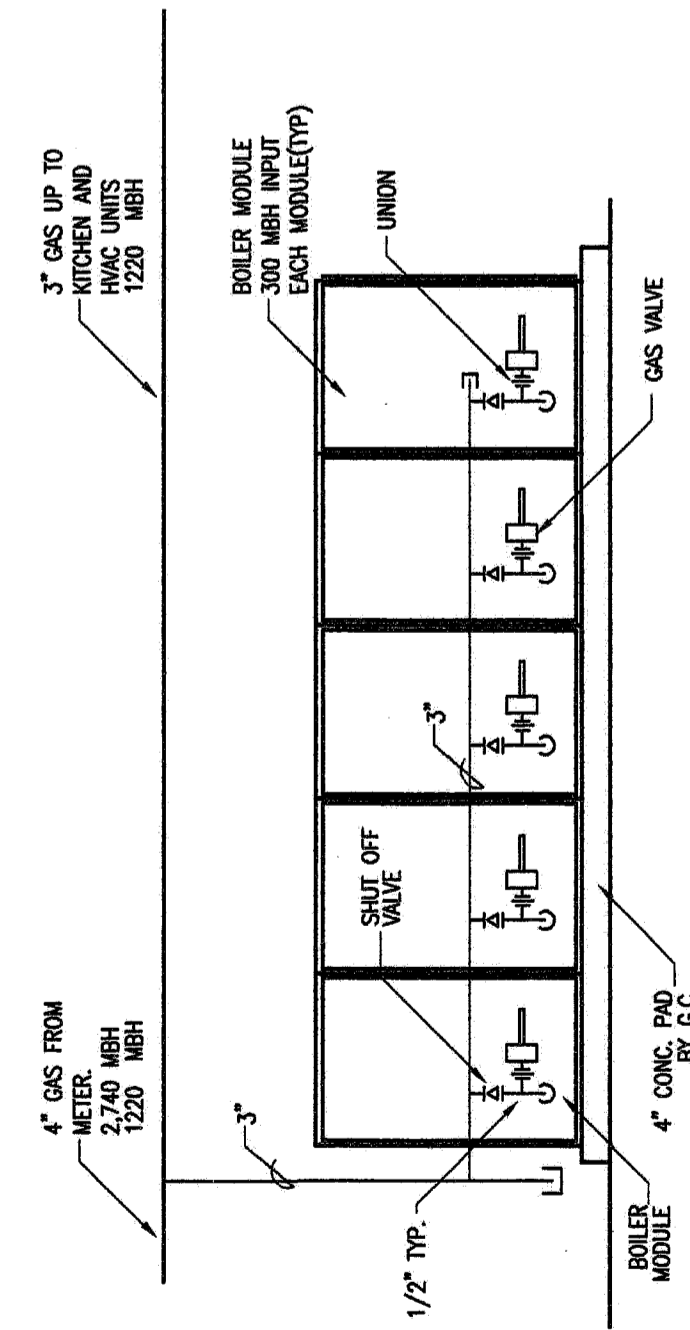
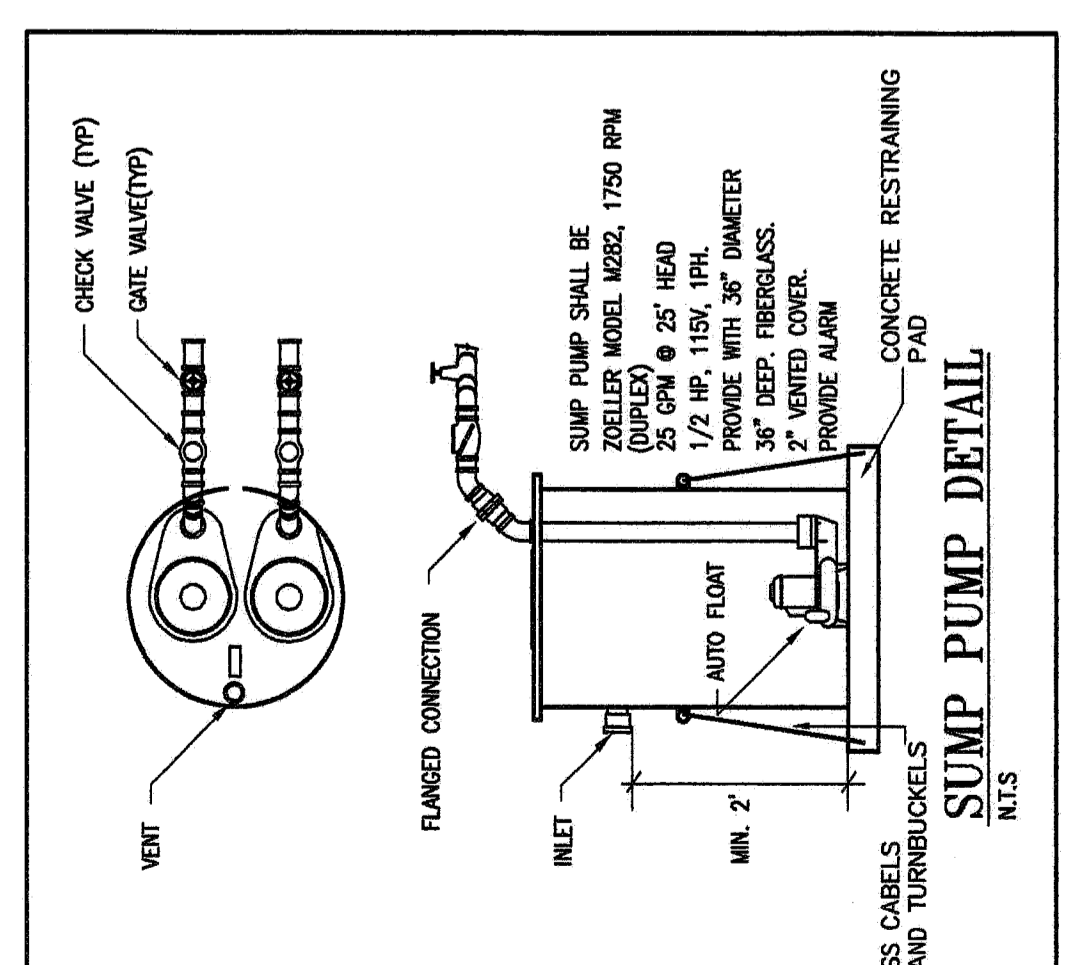
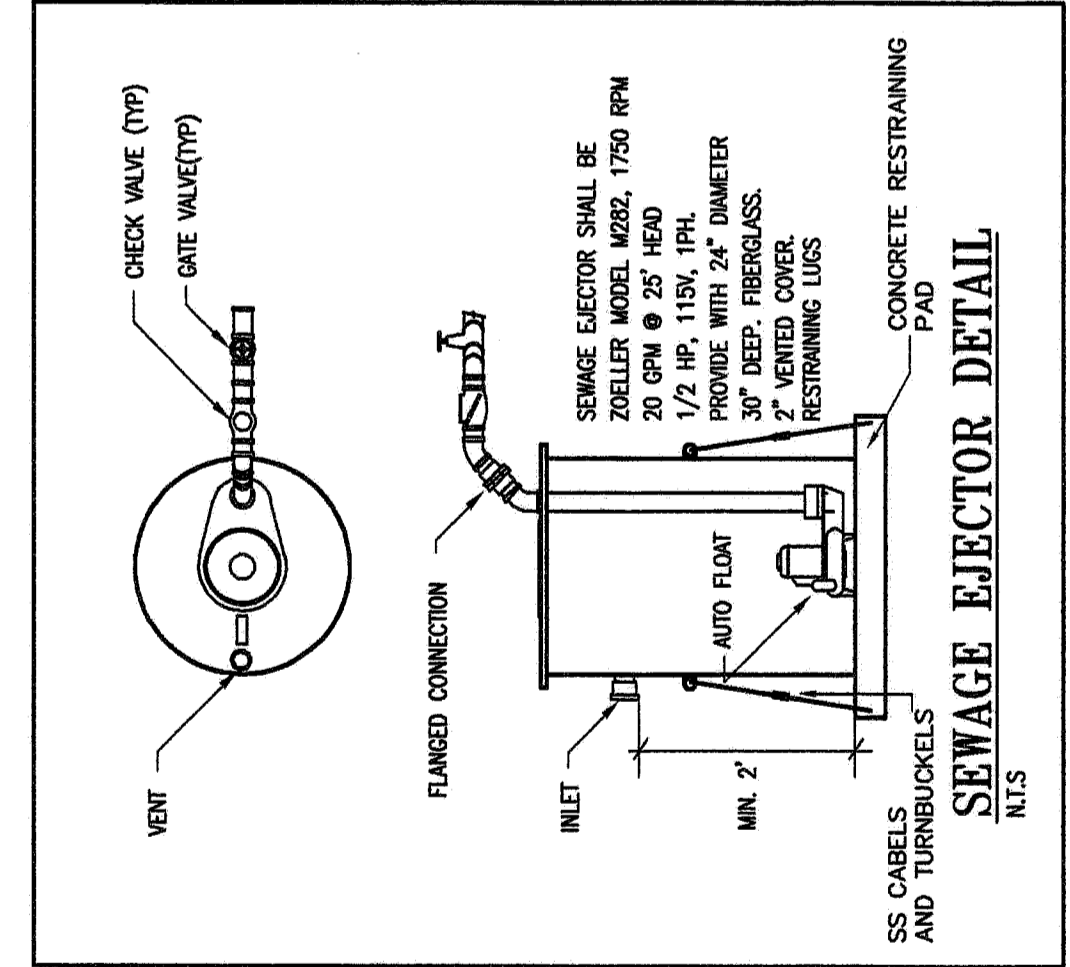
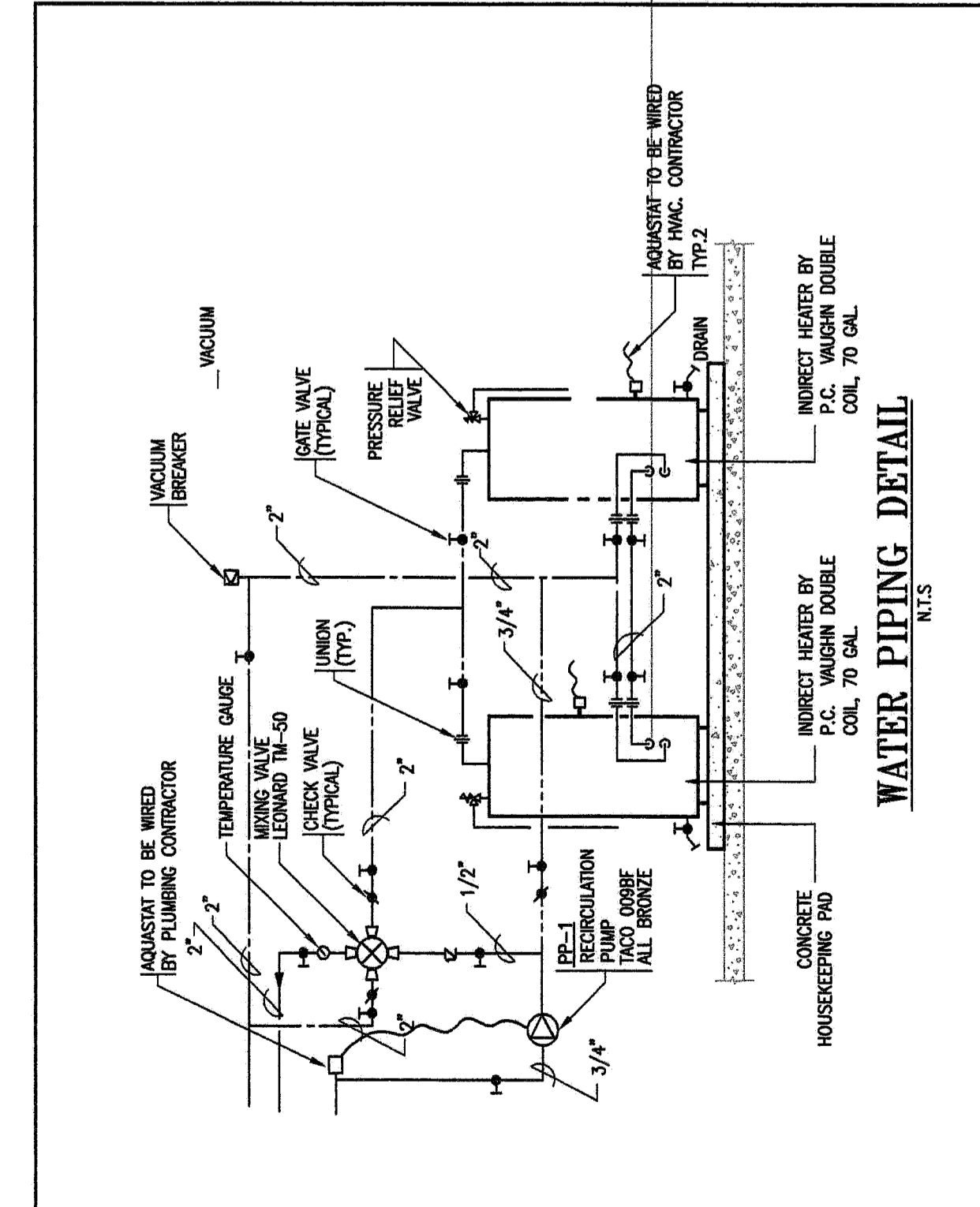


Xref XLEVI\_A

PLUMBING LEGEND	
SYMBOL	DESCRIPTION
—	SAINT
—	SAINTARY BELOW GROUND
—	STORM DRAIN BELOW GROUND
—	STORM DRAIN ABOVE GROUND
—	VENT ABOVE GROUND
—	VENT BELOW GROUND
—	FLOOR DRAIN (FD)
—	DRAIN WITH P-TRAP
—	COLD WATER PIPE (CW)
—	WATER PIPE (WP)
—	BALL VALVE PIPE (BV)
—	PLUMBING FIXTURE
—	CLEANOUT ON EXPOSED PIPE
—	FLOOR CLEANOUT
—	GAS COCK
—	HOSE BIBB
—	WALL HYDRANT



Revisions	No.	Date
GENERAL REVISIONS	1	03/20/08
FINAL PERICING	2	10/03/08
HUD FIRM COMMITMENT	3	11/22/08

Project: **THE INN AT CEDARS**  
 PORTLAND, MAINE  
 Drawing Title: **BASEMENT FLOOR AND DETAILS PLUMBING PLAN**

Tsomides Associates  
 Architects and Planners  
 389 Elliot Street  
 Newton Upper Falls, MA 02464  
 (617) 989-4774 Fax: (617) 989-4783  
 Website: [www.tsomides.com](http://www.tsomides.com)

DATE: 6/24/05 BID SET  
 SCALE: 1/8" = 1'-0"  
 DRAWING NUMBER: **P-0**

**ZADE COMPANY INC.**  
 140 BRACKEN STREET, BOSTON, MA 02111  
 TEL: (617) 338-4408  
 FAX: (617) 461-3840  
 WWW.ZADECOMPANY.COM