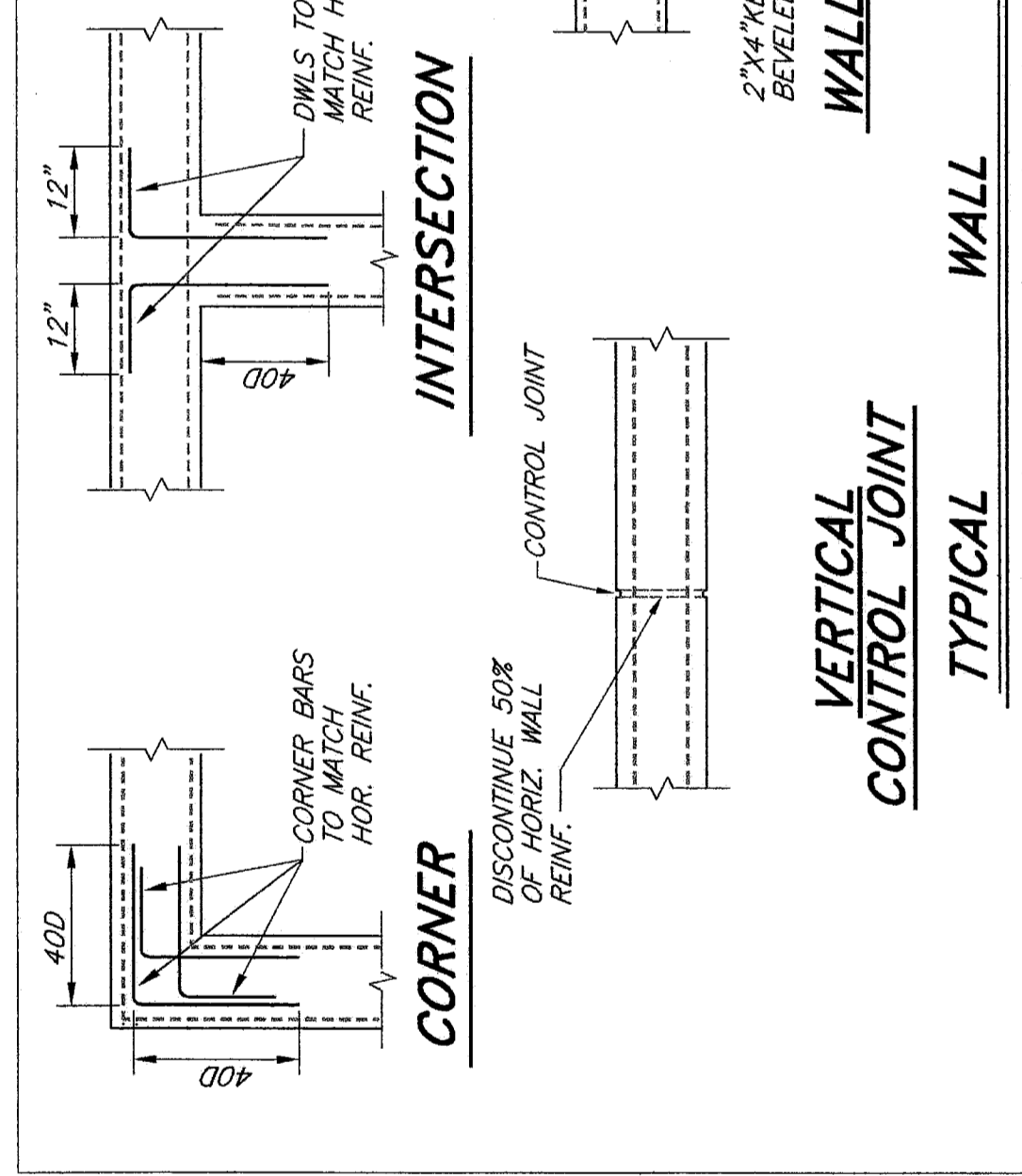
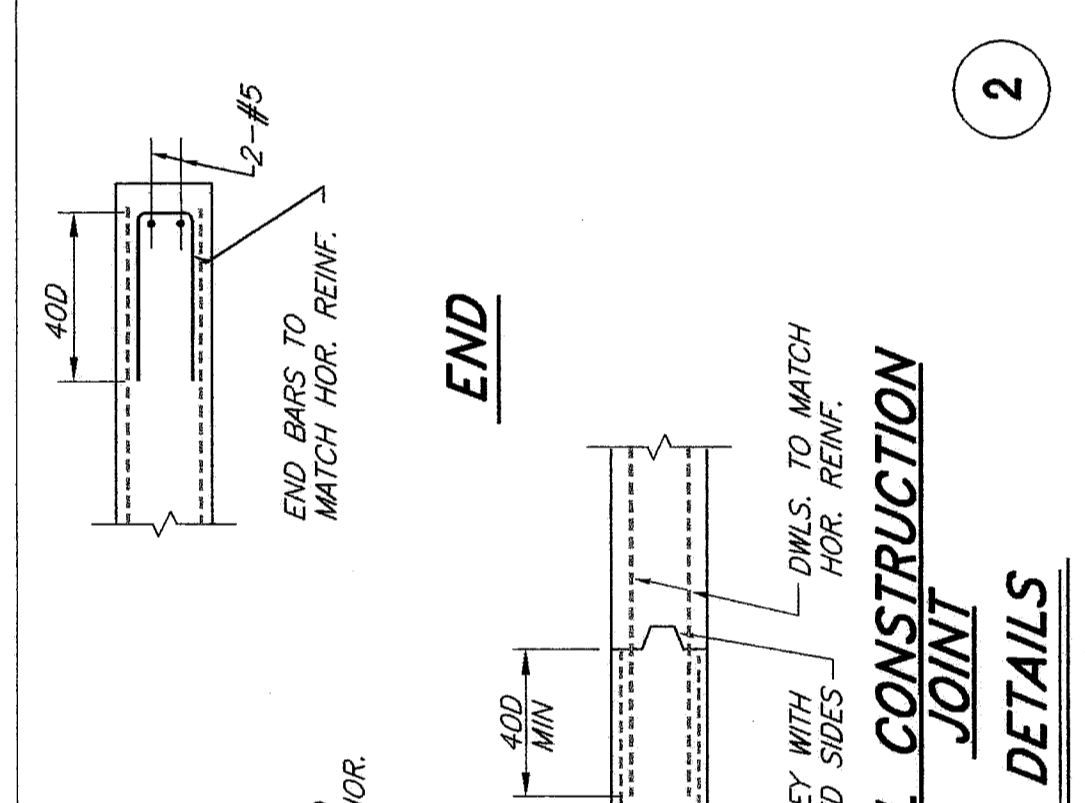


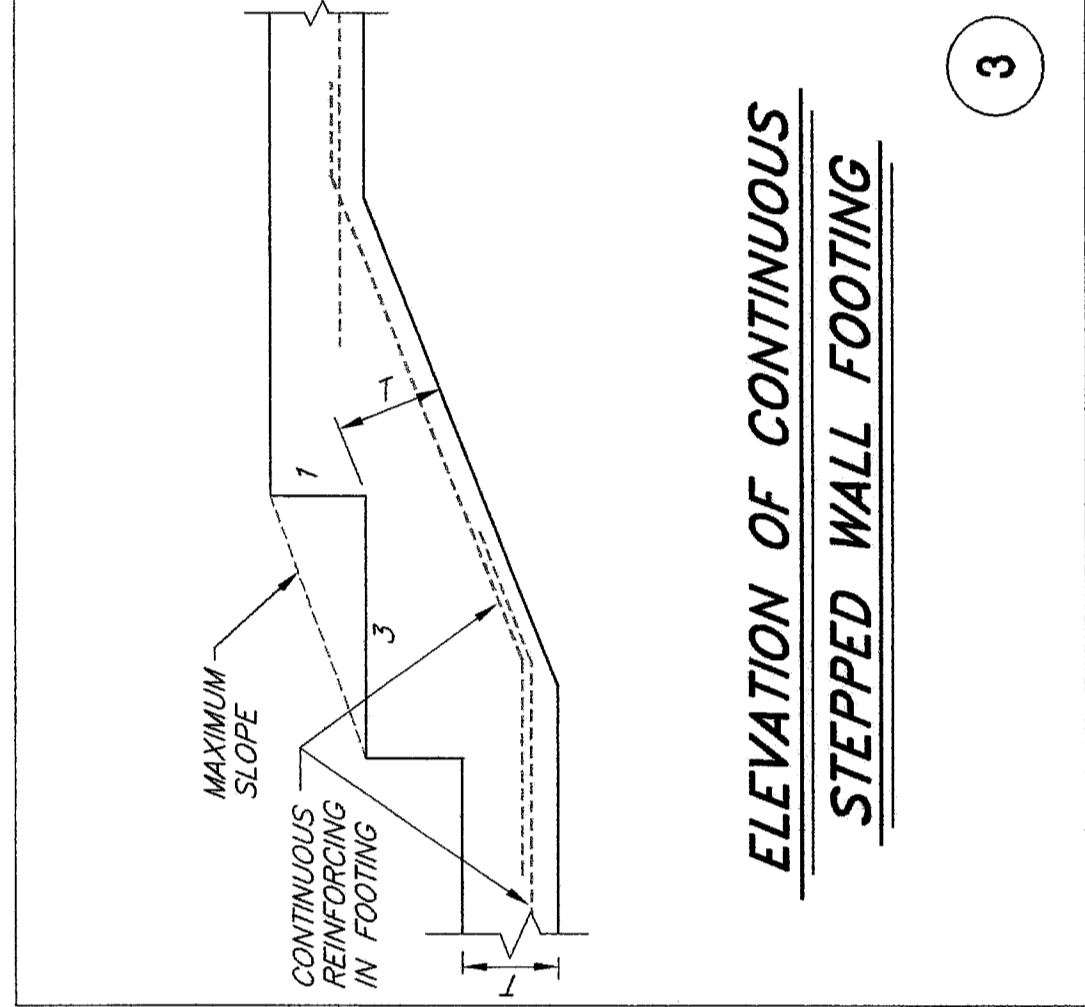
TYPICAL SLAB ON GRADE DETAILS



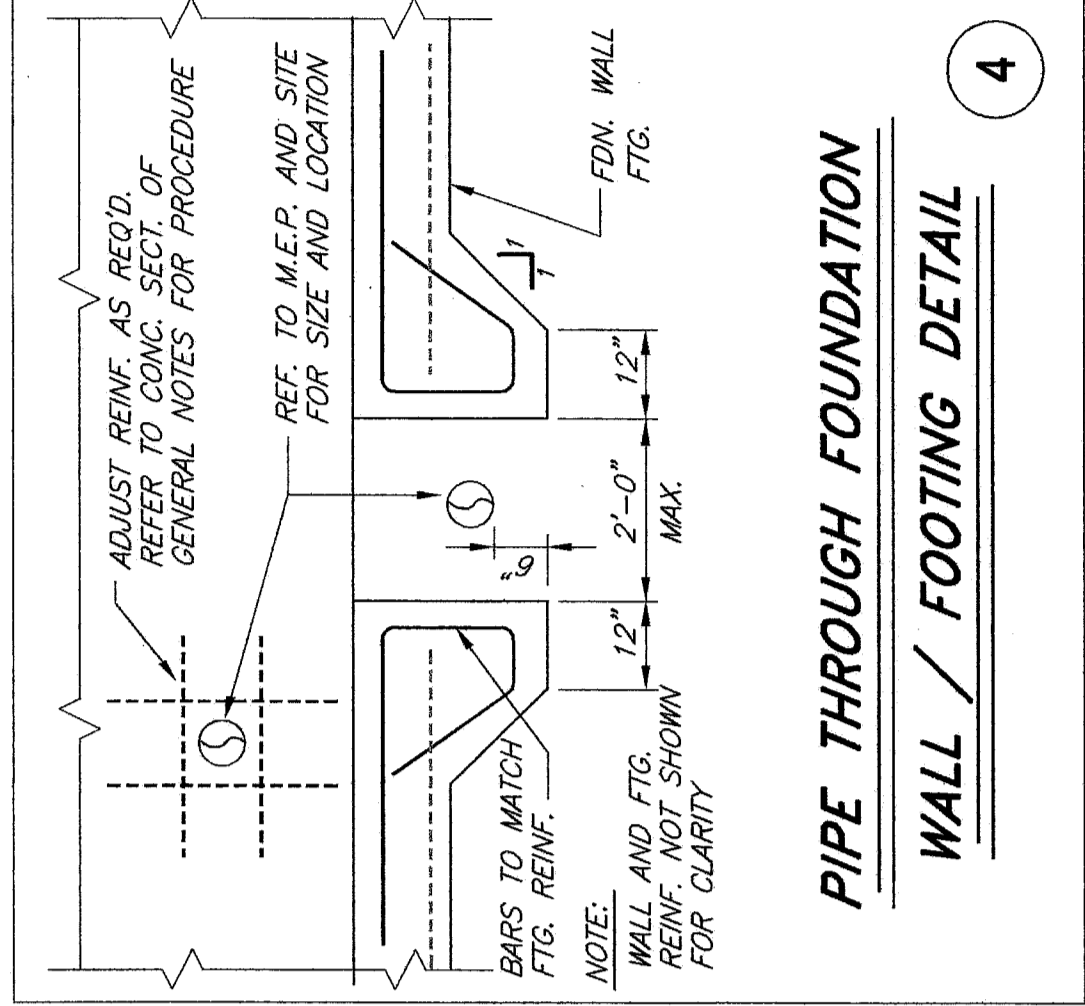
TYPICAL WALL CONTROL JOINT



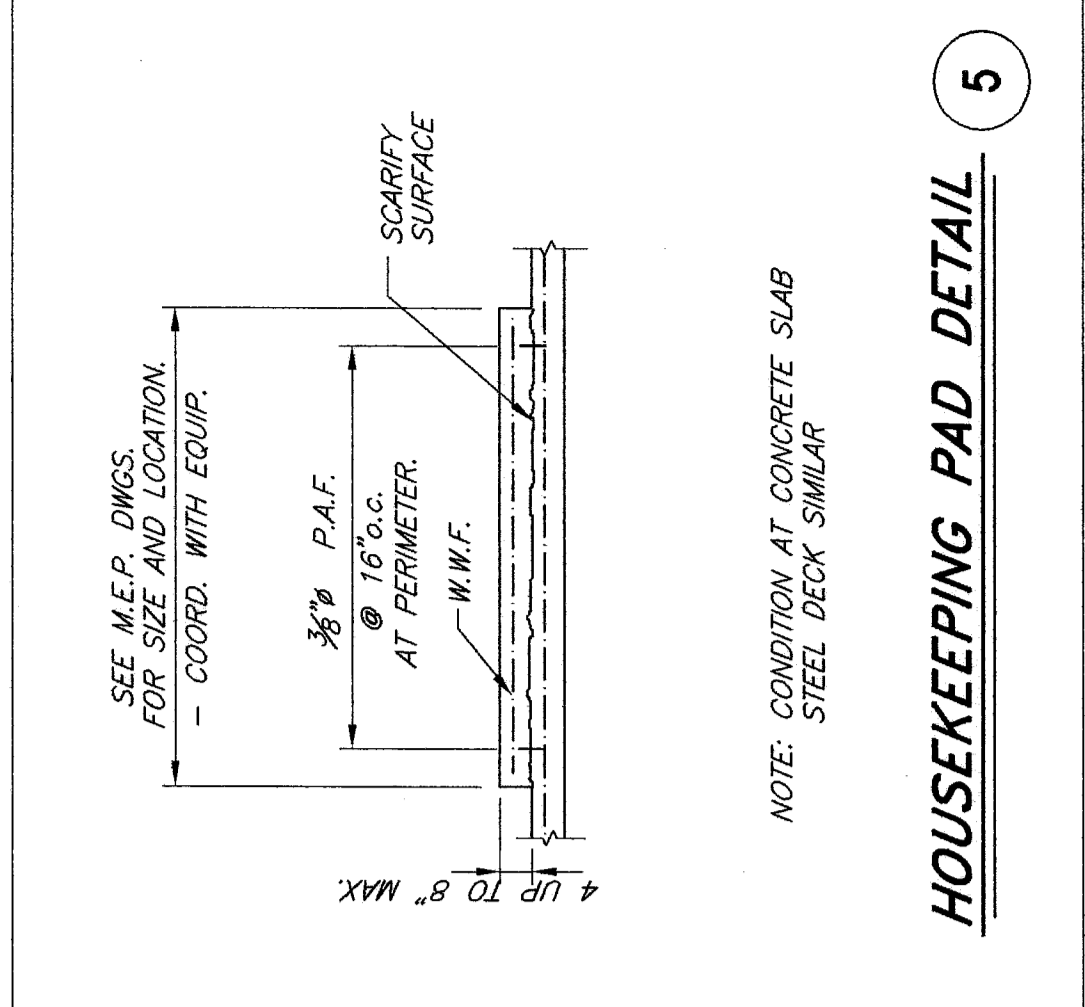
TYPICAL WALL CONTROL JOINT



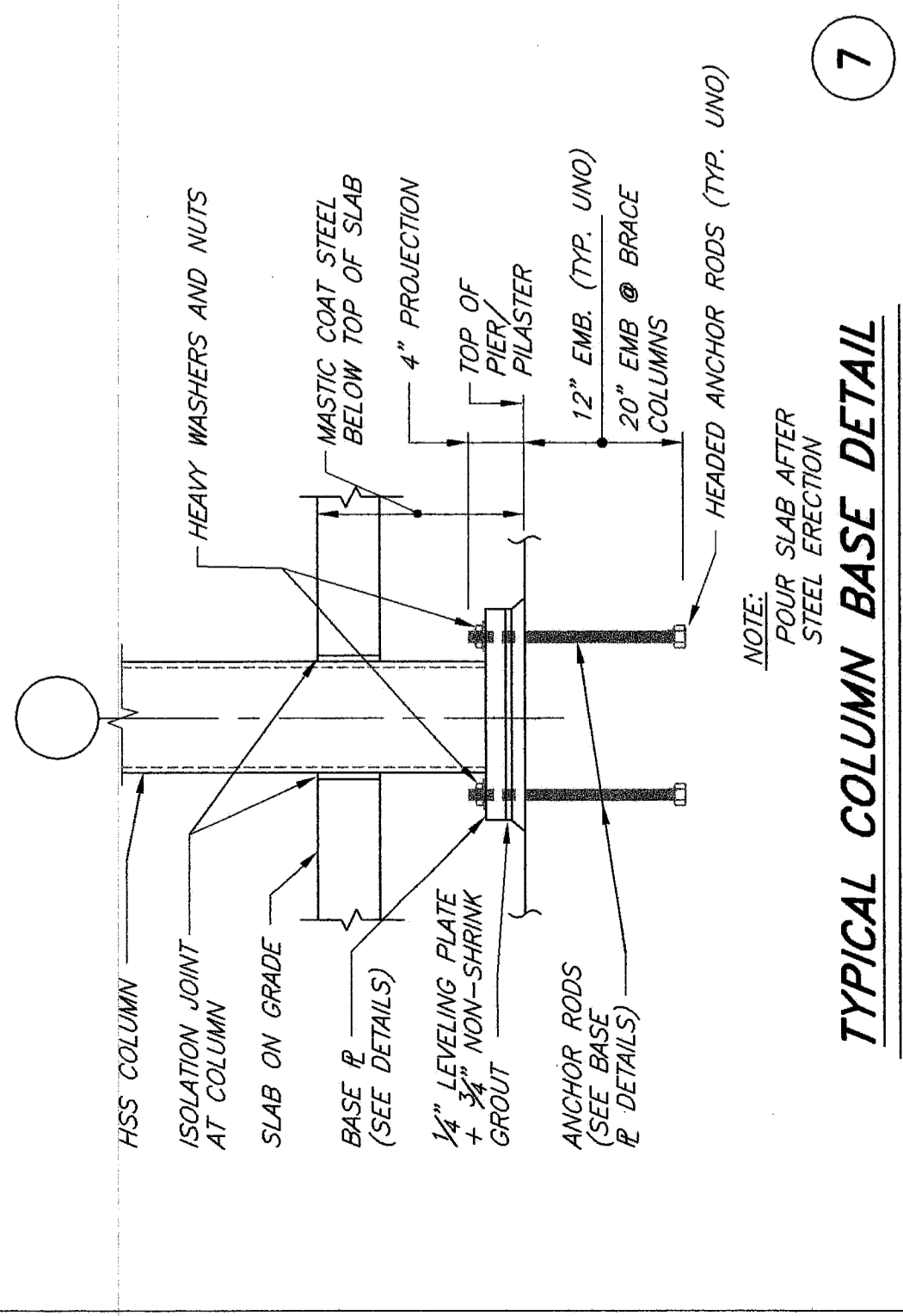
TYPICAL WALL CONTROL JOINT



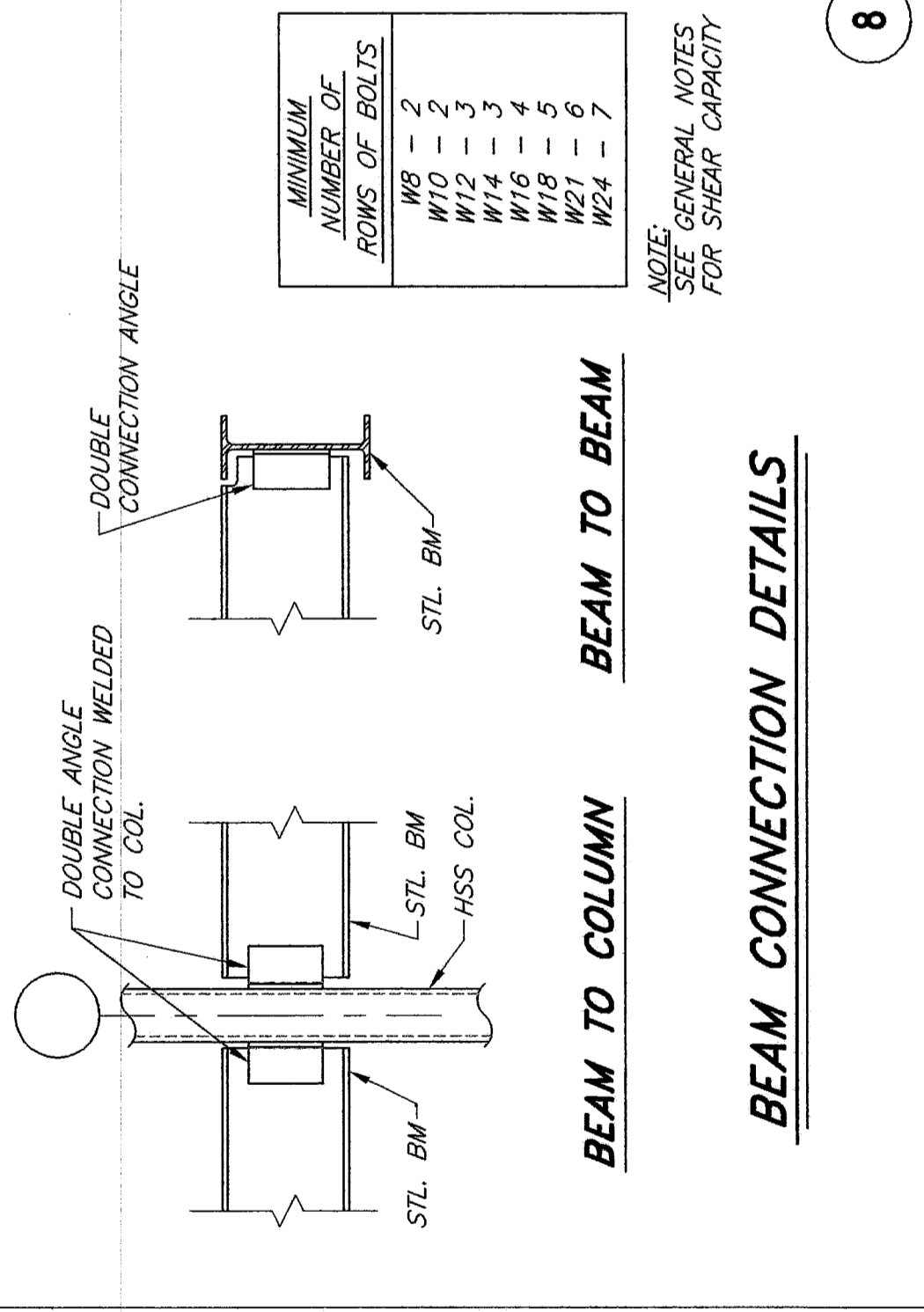
TYPICAL WALL CONTROL JOINT



TYPICAL WALL CONTROL JOINT



TYPICAL COLUMN BASE DETAIL



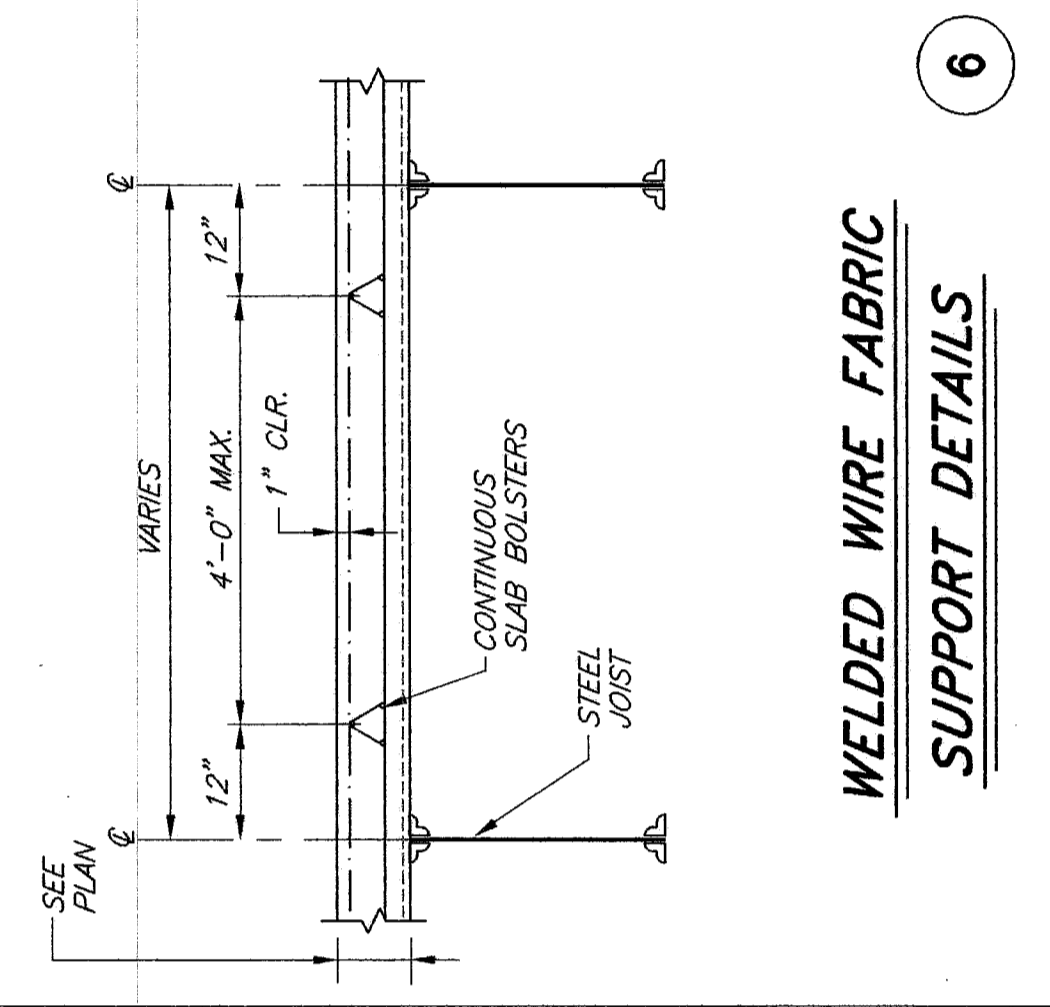
TYPICAL COLUMN BASE DETAIL

**LINTEL SCHEDULE (05500)**

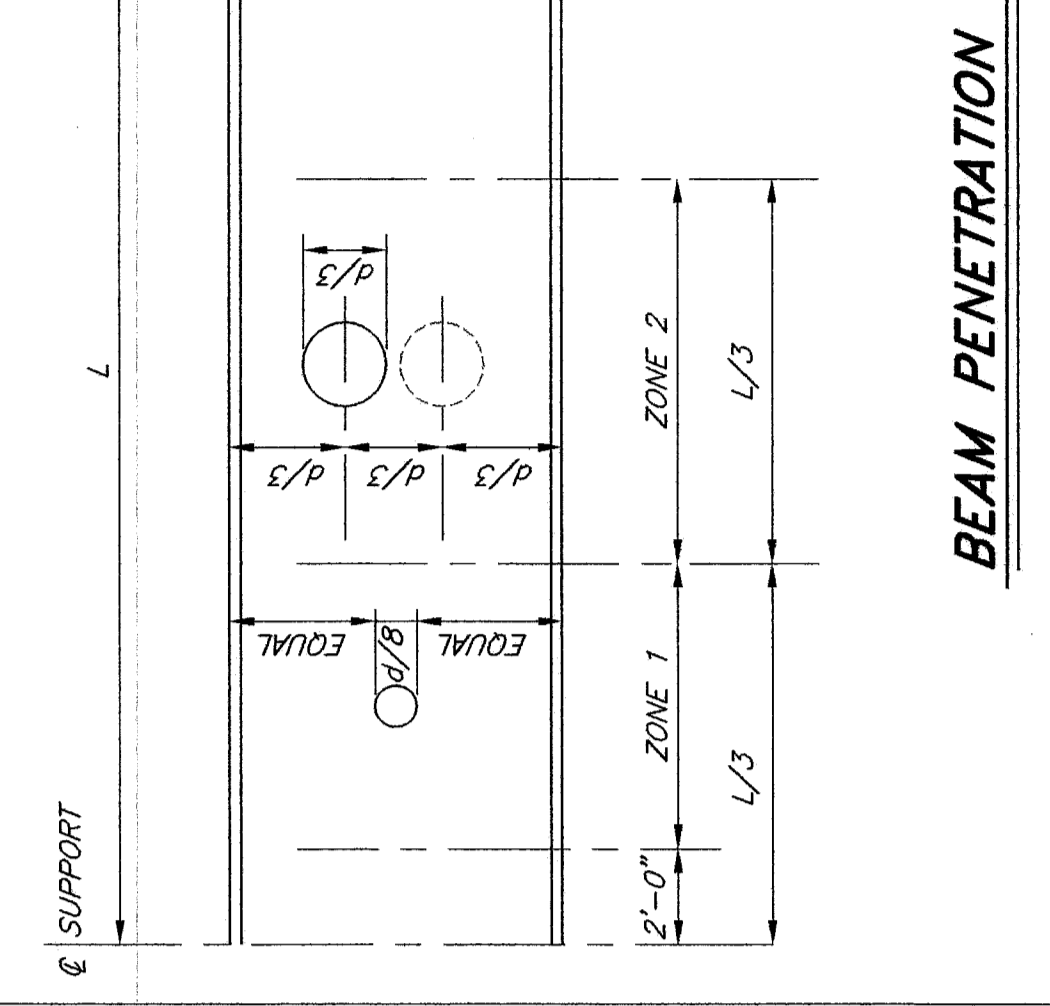
MASONRY OPENING	LINTEL SIZE
UP TO 3'-0"	L3 1/2 x 3 1/2 x 3/8
3'-1" TO 4'-6"	L4 x 3 1/2 x 3/8 (4" LEG VERT.)
4'-7" TO 6'-0"	L5 x 3 1/2 x 3/8 (5" LEG VERT.)
6'-1" TO 8'-0"	L6 x 3 1/2 x 3/8 (6" LEG VERT.)
8'-1" TO 12'-0"	L7 x 4 x 3/8 (7" LEG VERT.)

NOTES:  
 1. PROVIDE LINTELS OVER ALL OPENINGS EXCEPT WHERE LINTEL BLOCKS ARE PROVIDED.  
 2. PROVIDE ONE ANGLE FOR EACH 8" OF WALL UP SECTION WITH PROPERTIES EQUAL TO OR GREATER THAN 1 1/2 TIMES THE ANGLE PROPERTIES FOR A 4" WALL THICKNESS.  
 3. PROVIDE 8" OF BEARING EACH END OF ALL LINTELS.  
 4. ALL EXTERIOR LINTELS SHALL BE HOT-DIPPED GALVANIZED.

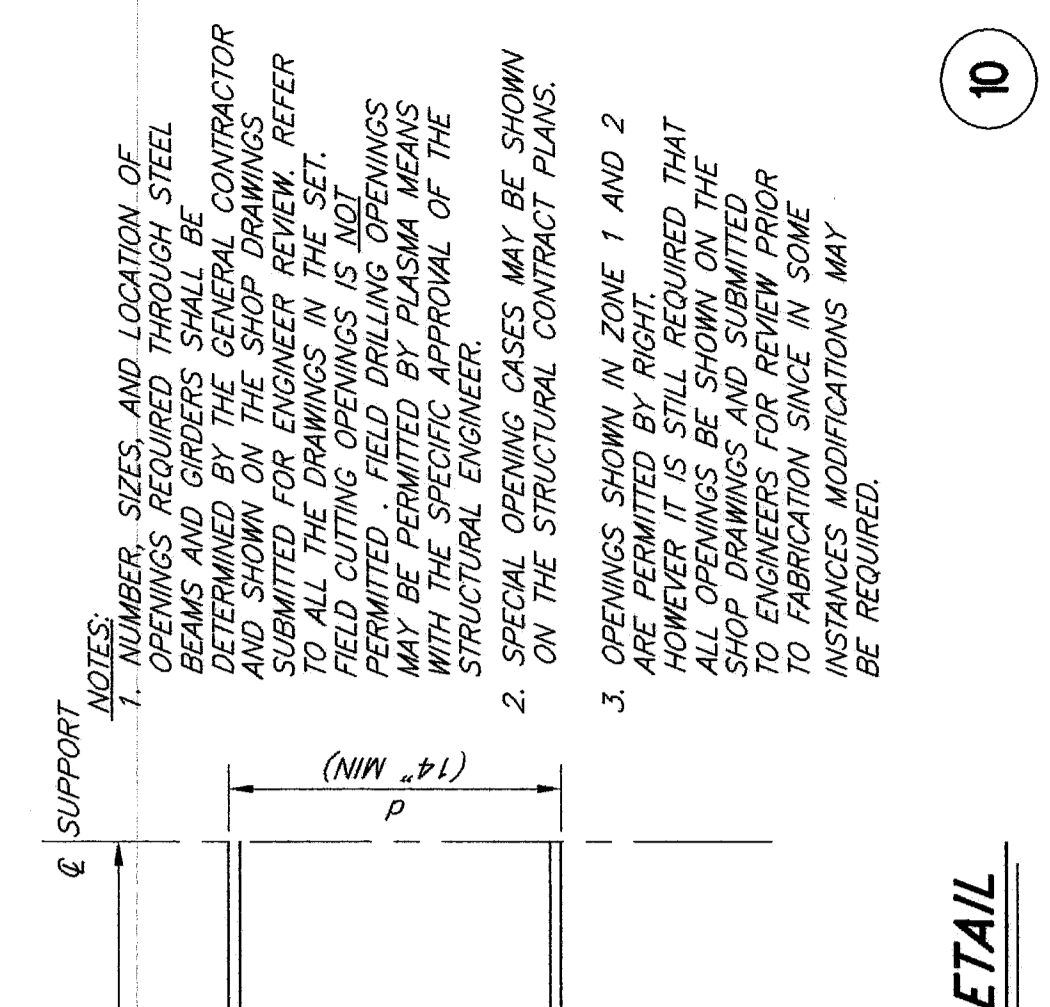
TYPICAL COLUMN BASE DETAIL



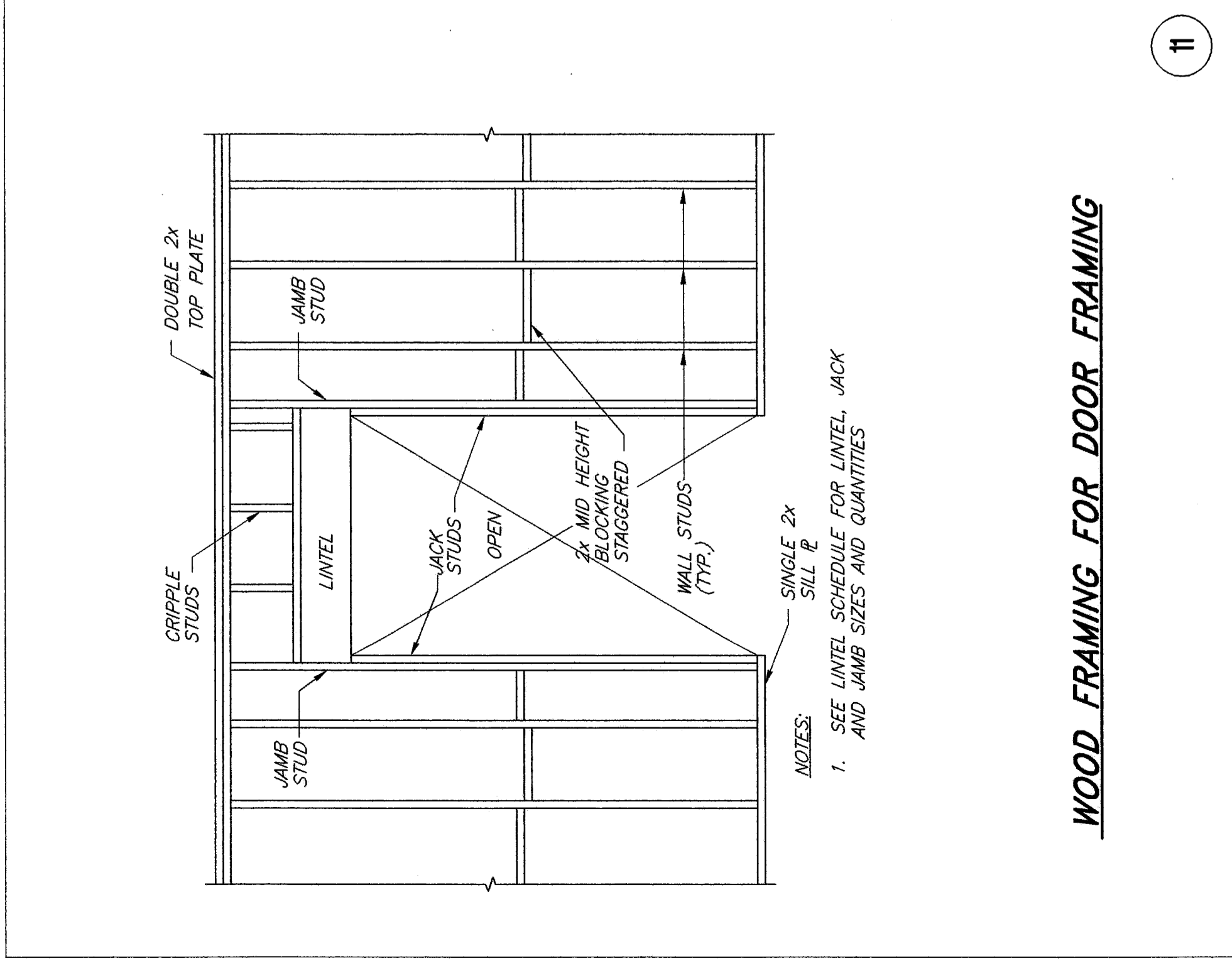
TYPICAL COLUMN BASE DETAIL



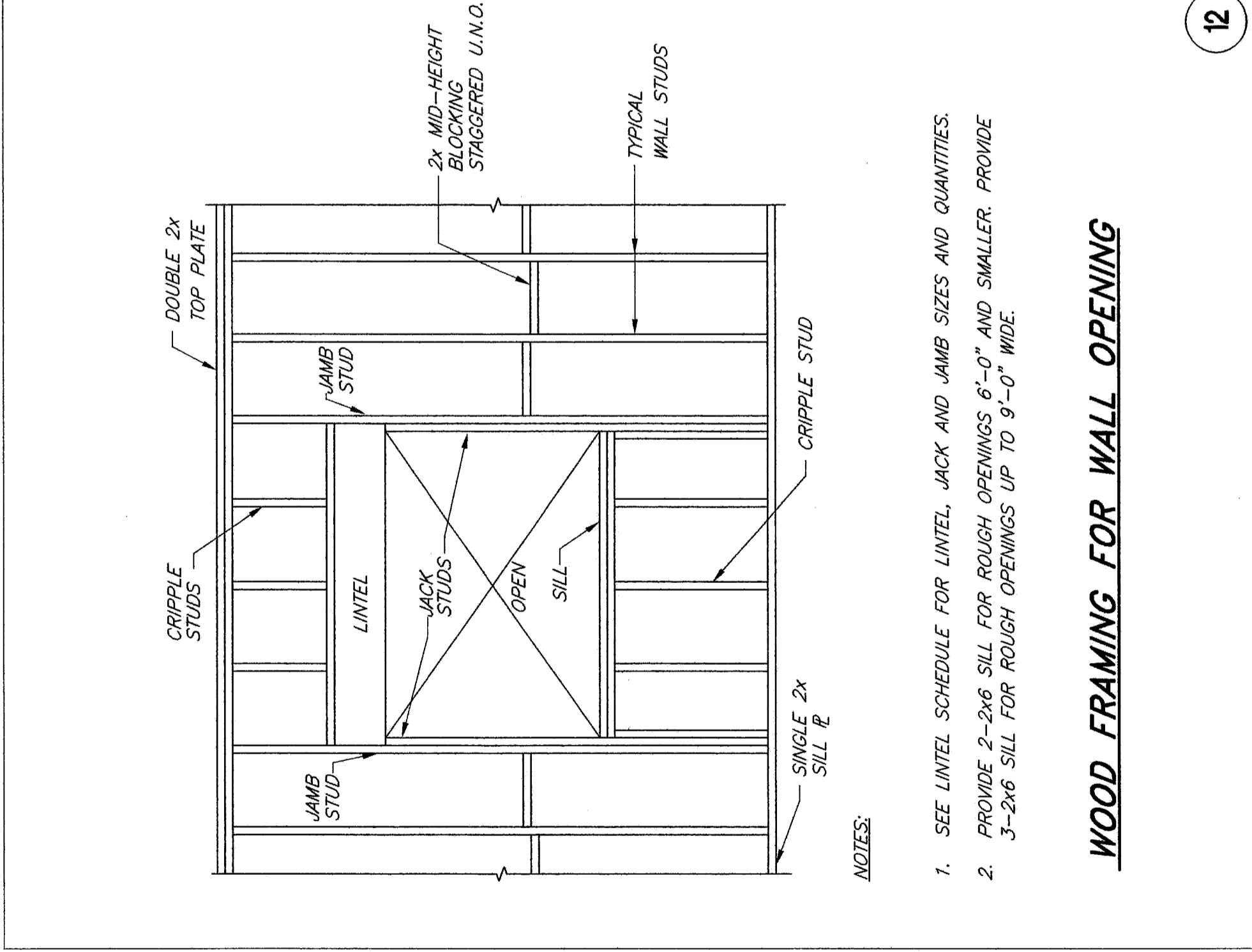
TYPICAL COLUMN BASE DETAIL



TYPICAL COLUMN BASE DETAIL



WOOD FRAMING FOR DOOR FRAMING



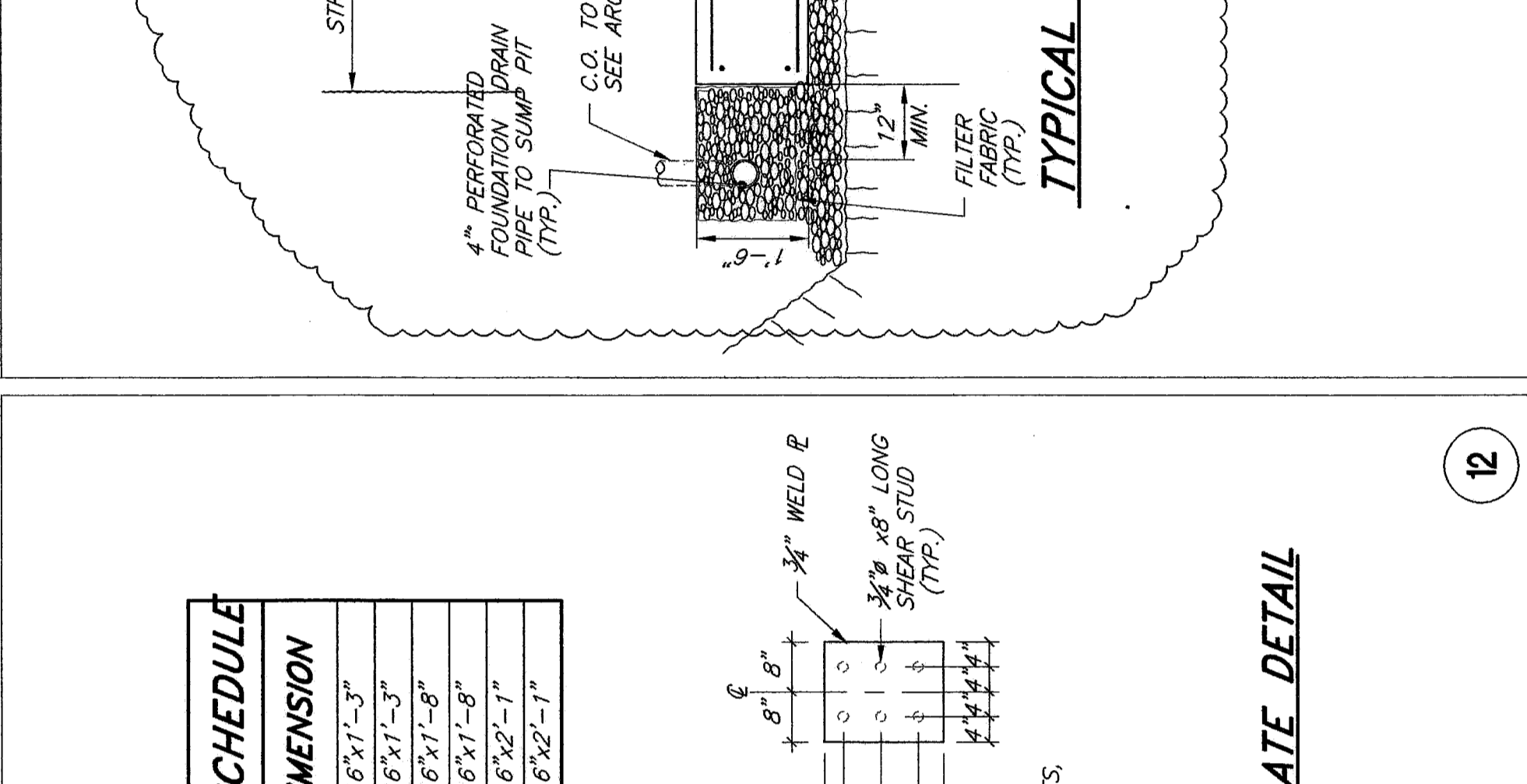
WOOD FRAMING FOR WALL OPENING

**EMBEDDED WELD PLATE SCHEDULE**

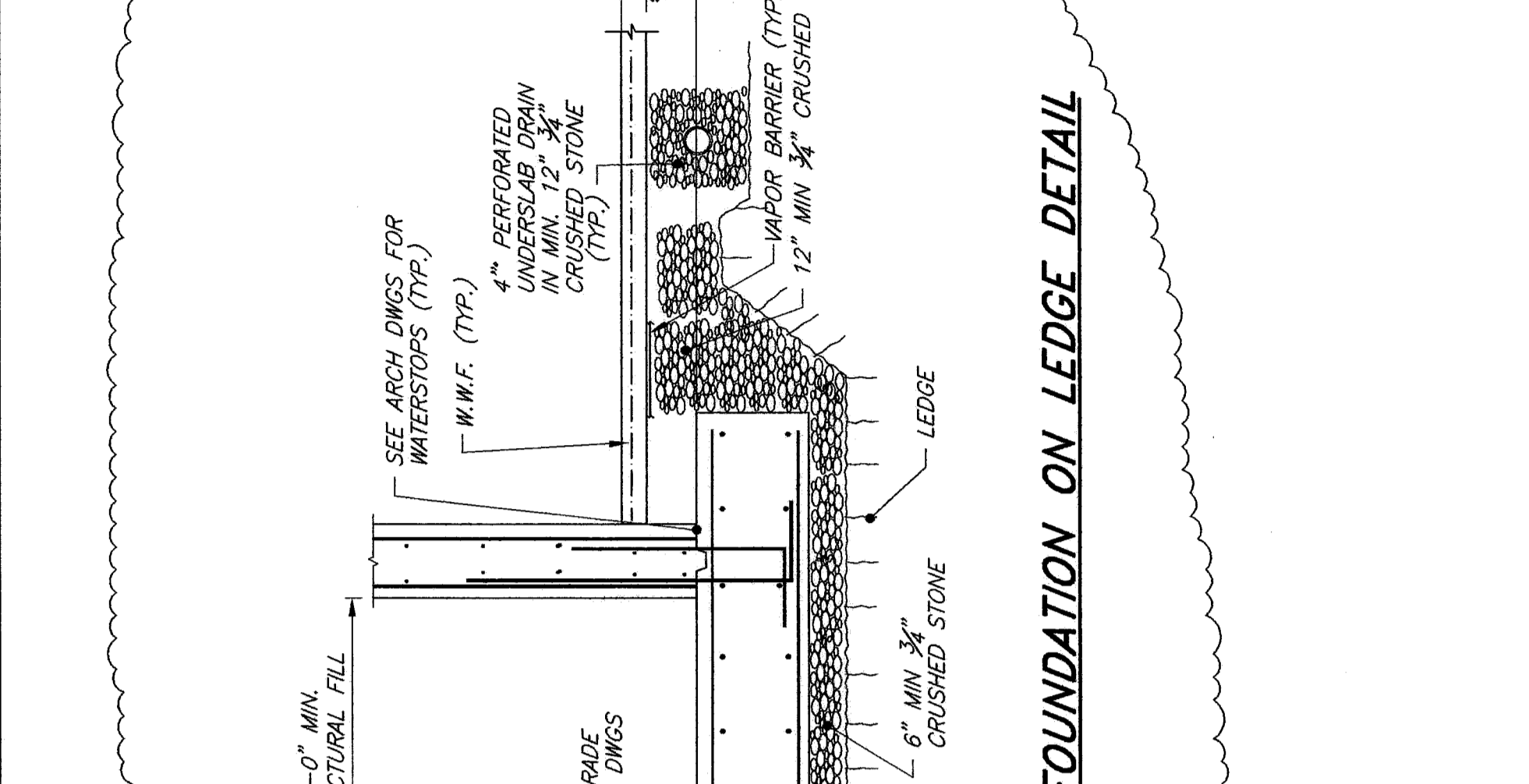
W SHAPE	MIN. # OF STUD ROWS	MIN. DIMENSION
W2 OR LESS	3	3/4" x 15 1/2" x 3"
W4	3	3/4" x 15 1/2" x 3"
W6	4	3/4" x 17 1/2" x 3"
W8	4	3/4" x 17 1/2" x 3"
W10	5	3/4" x 17 1/2" x 3"
W12	5	3/4" x 17 1/2" x 3"
W14	5	3/4" x 17 1/2" x 3"
W16	5	3/4" x 17 1/2" x 3"
W18	5	3/4" x 17 1/2" x 3"
W20	5	3/4" x 17 1/2" x 3"
W24	5	3/4" x 17 1/2" x 3"

NOTES:  
 1. SEE SCHEDULE FOR LINTEL, JACK AND JAMB SIZES AND QUANTITIES.  
 2. PROVIDE 2x-2x6 SILL FOR ROUGH OPENINGS 6'-0" AND SMALLER. PROVIDE 3x-2x6 SILL FOR ROUGH OPENINGS UP TO 9'-0" WIDE.

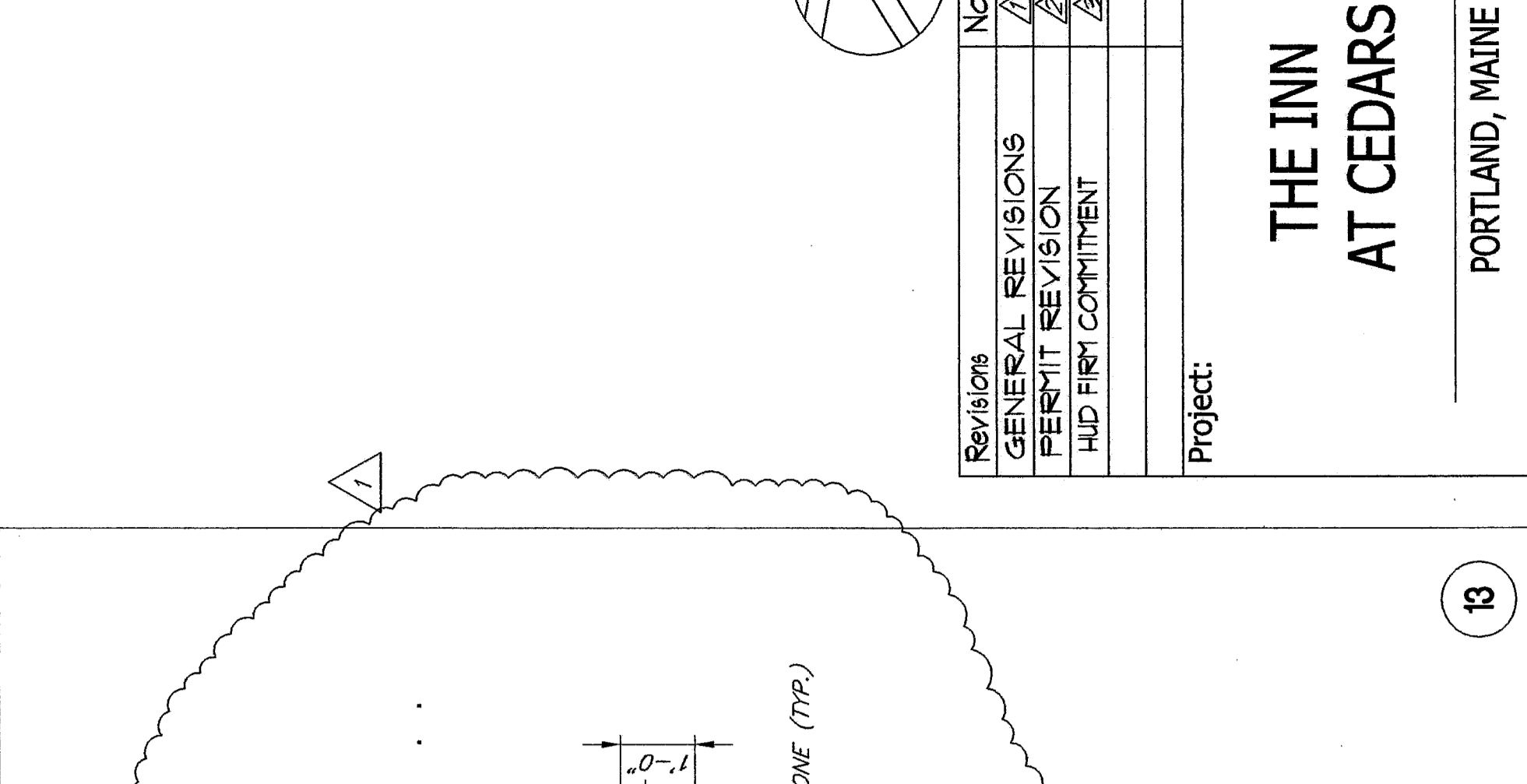
WOOD FRAMING FOR WALL OPENING



WOOD FRAMING FOR WALL OPENING



WOOD FRAMING FOR WALL OPENING



WOOD FRAMING FOR WALL OPENING

NO. 10  
 GENERAL REVISIONS  
 PERMIT REVISION  
 HAD FIRST COMMITMENT

DATE  
 3/20/2006  
 10/15/2006  
 11/22/2006

PROJECT:  
**THE INN AT CEDARS**  
 PORTLAND, MAINE

Drawing Title

**TYPICAL DETAILS**

Tsomidis Associates Architects and Planners  
 388 Elliot Street  
 Newton Upper Falls, MA 02464  
 (617) 989-4174 Fax: (617) 989-4193  
 e-mail: info@tsomidis.com www.tsomidis.com

REVISIONS  
 DATE  
 SCALE  
 DRAWING NUMBER

REB  
 11/21/2006  
 AS NOTED

**S-6**

DATE  
 3/20/2006

PROJECT:  
**THE INN AT CEDARS**  
 PORTLAND, MAINE

Drawing Title

**TYPICAL DETAILS**

Tsomidis Associates Architects and Planners  
 388 Elliot Street  
 Newton Upper Falls, MA 02464  
 (617) 989-4174 Fax: (617) 989-4193  
 e-mail: info@tsomidis.com www.tsomidis.com

REVISIONS  
 DATE  
 SCALE  
 DRAWING NUMBER

REB  
 11/21/2006  
 AS NOTED

**S-6**

Foley Buhl Roberts & Associates, Inc.  
 1000 WASHINGTON STREET, SUITE 200  
 PORTLAND, MAINE 04101  
 TEL: (603) 761-1111  
 FAX: (603) 761-1112  
 WWW.FOLEYBUHLROBERTS.COM