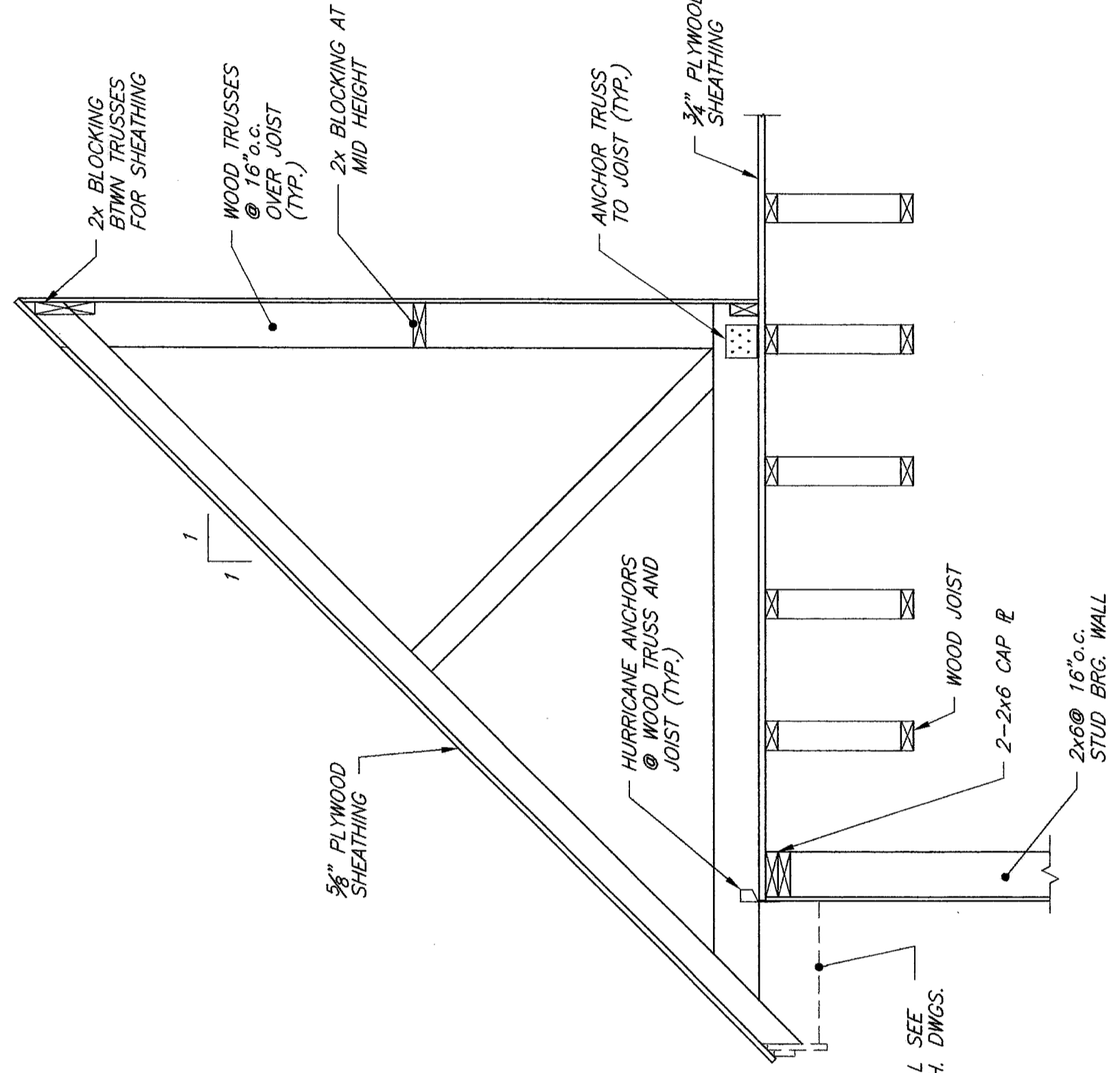
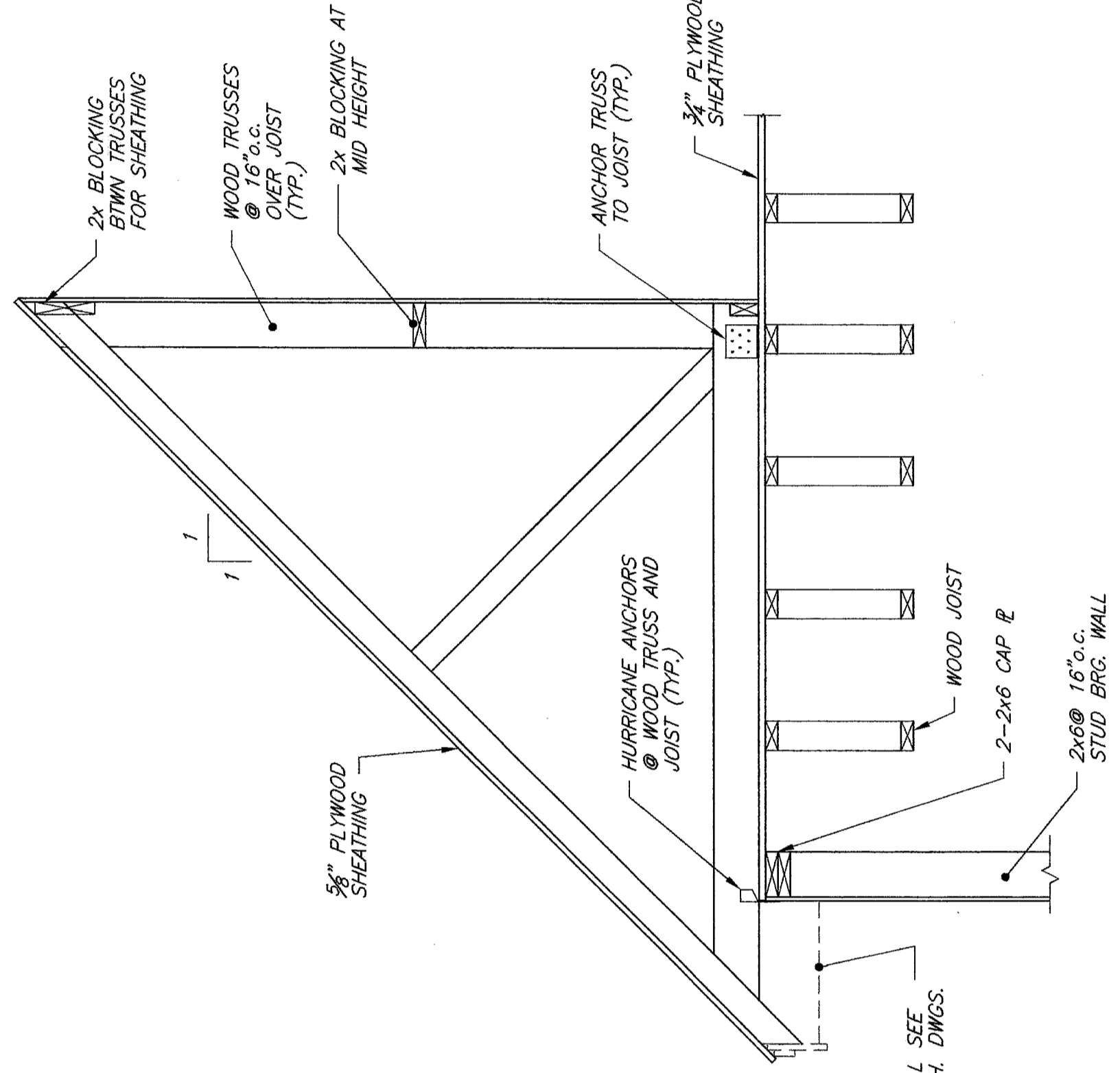


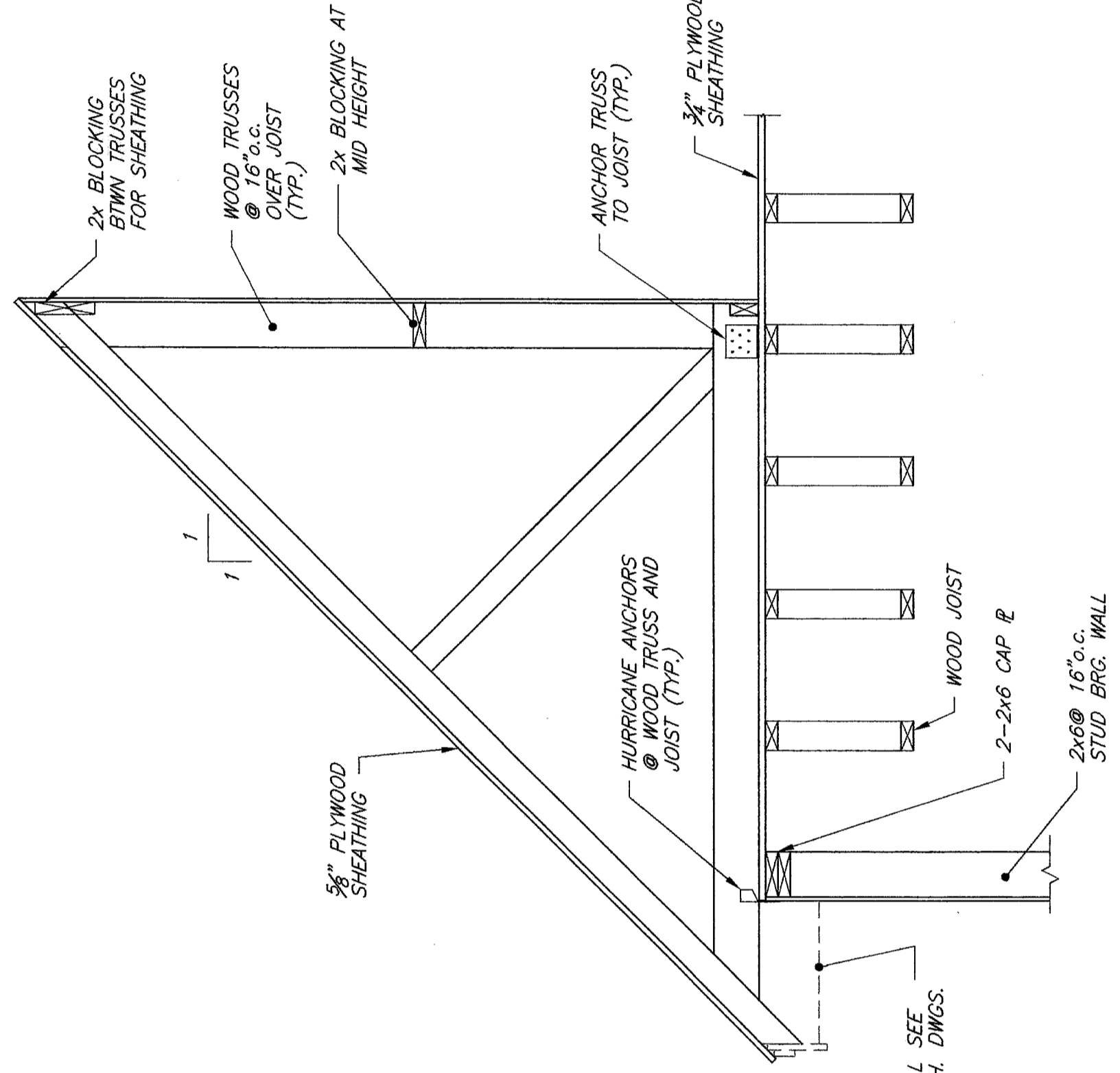
SECTION 1
1/4" = 1'-0"



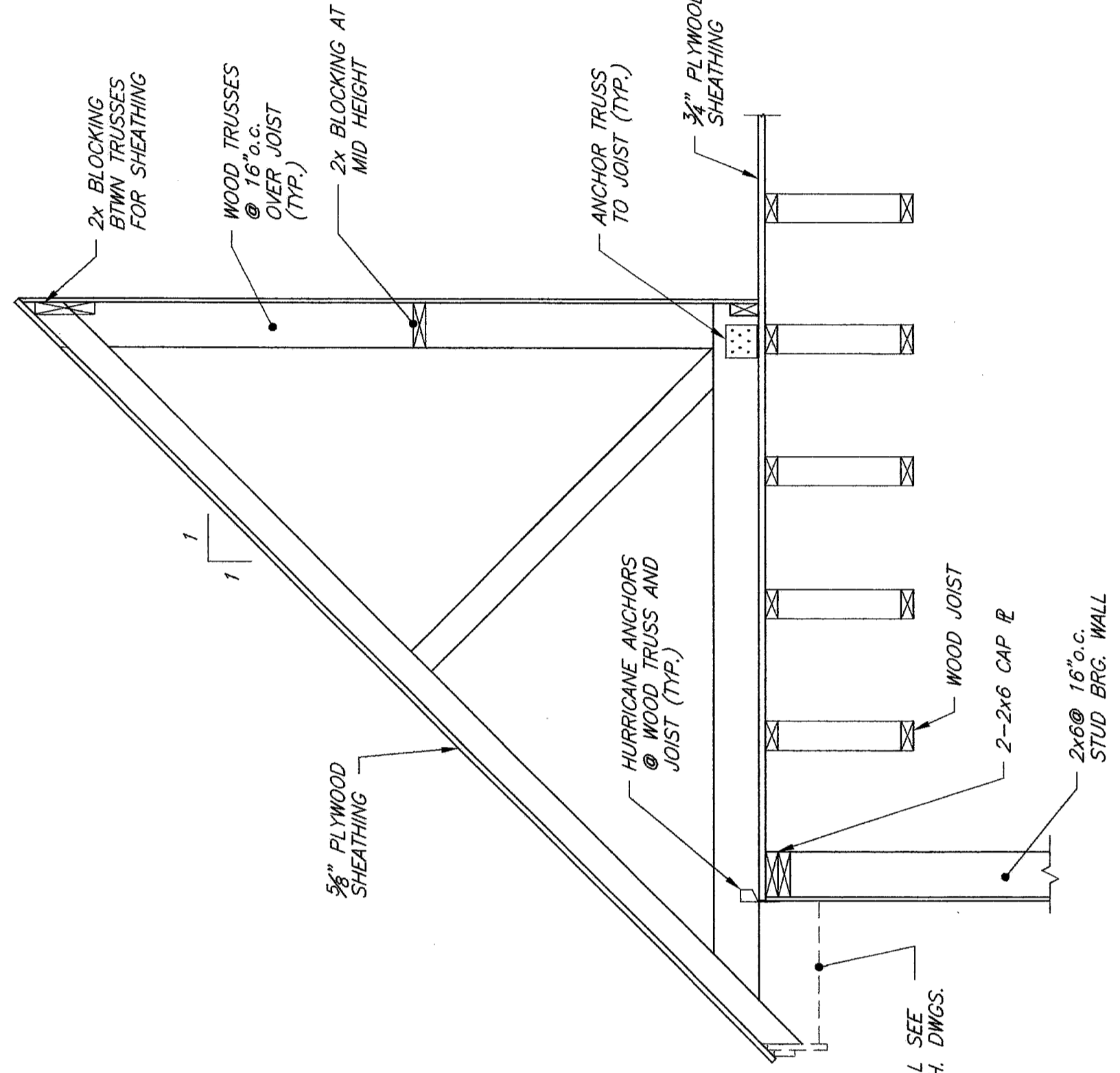
SECTION 2
1/4" = 1'-0"



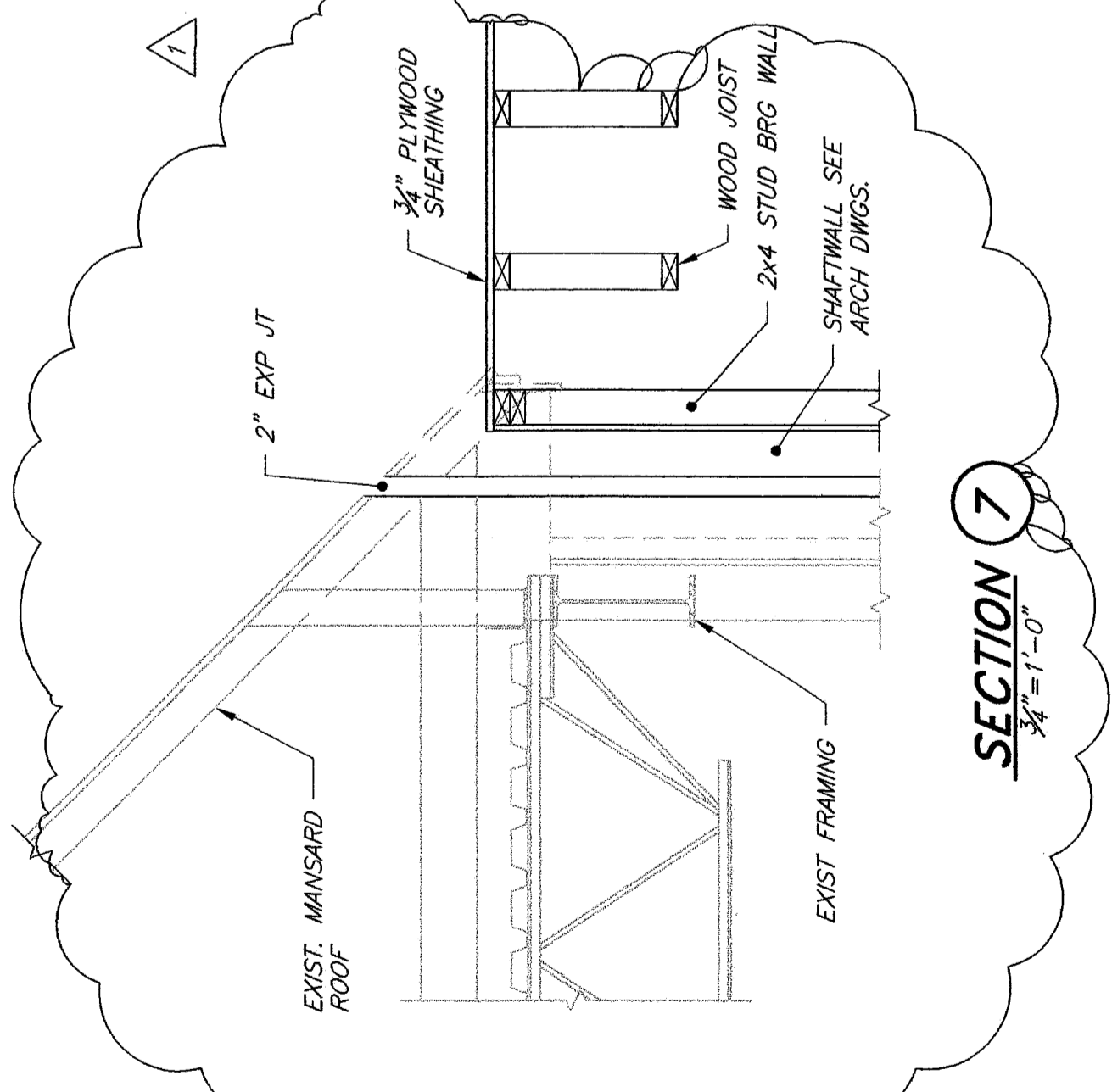
SECTION 3
1/4" = 1'-0"



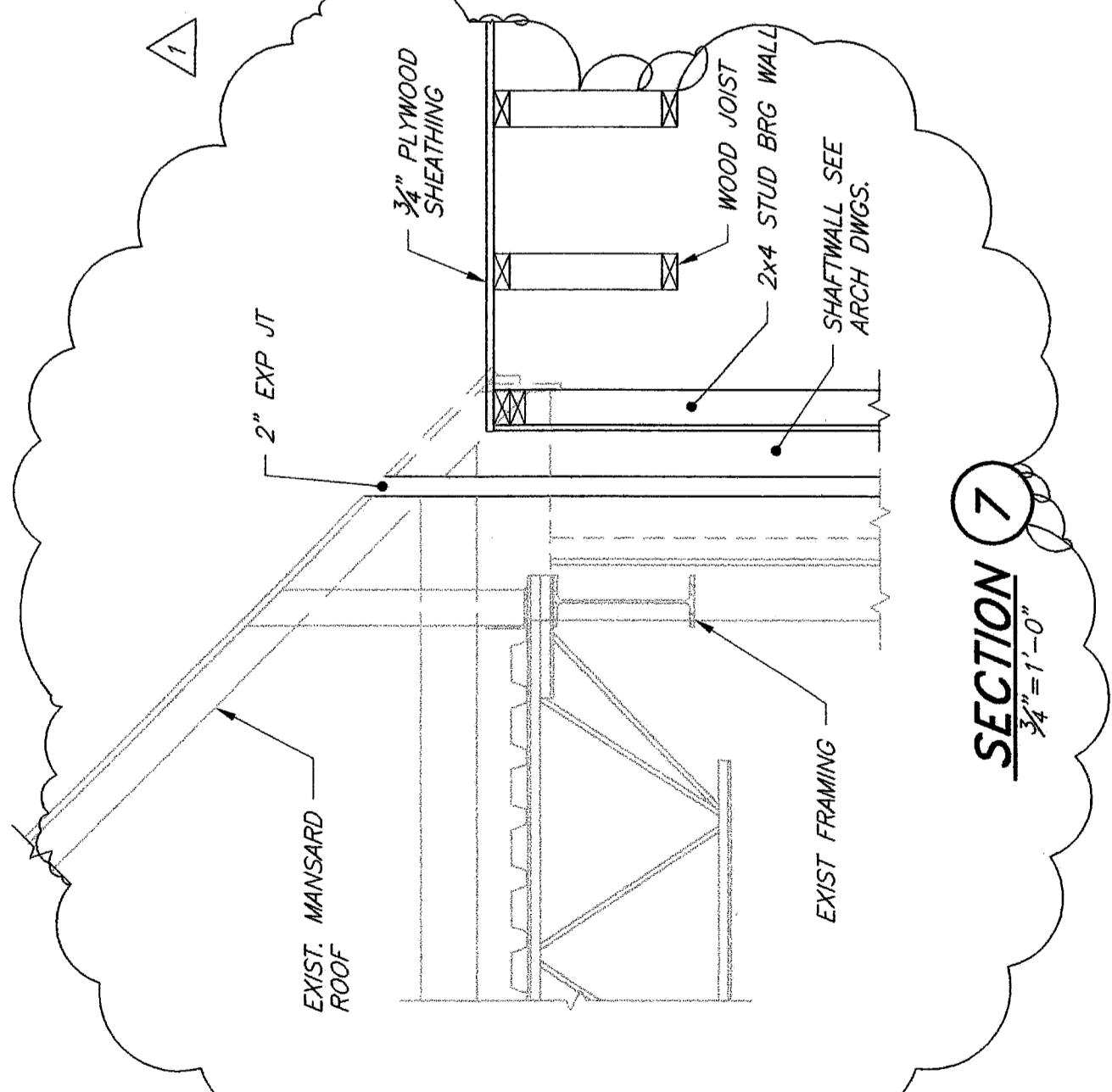
SECTION 4
1/4" = 1'-0"



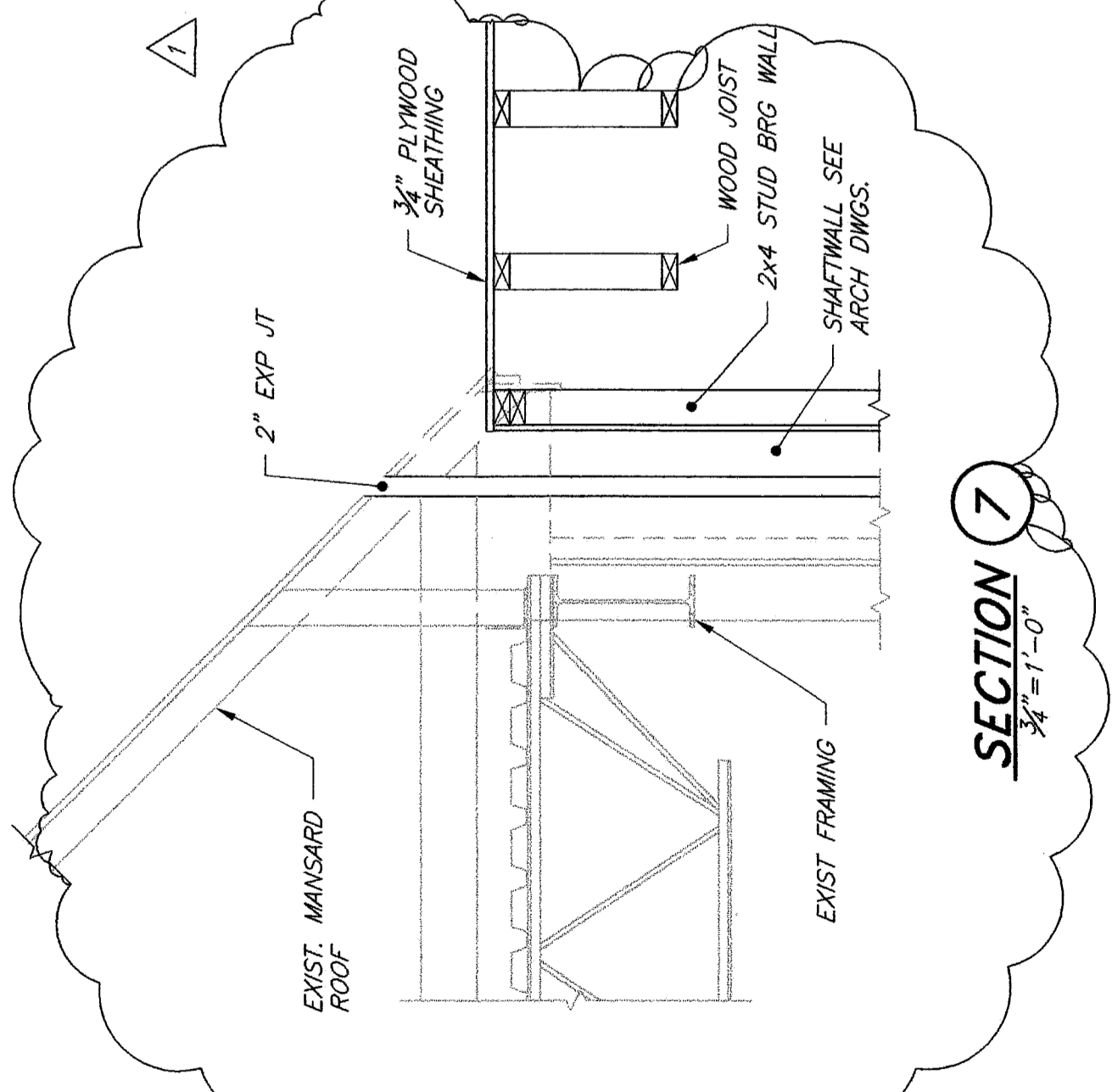
SECTION 5
1/4" = 1'-0"



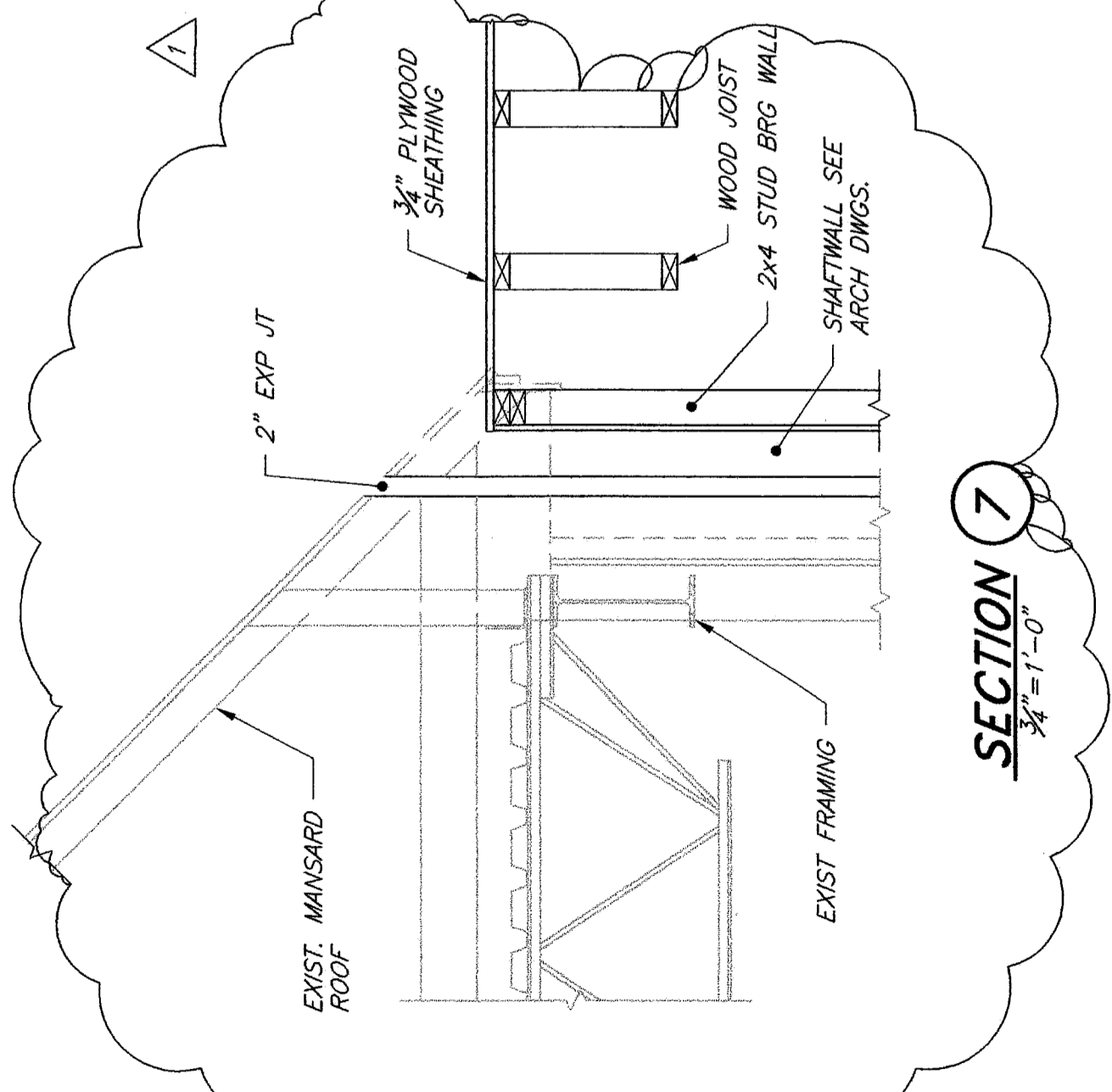
SECTION 6
1/4" = 1'-0"



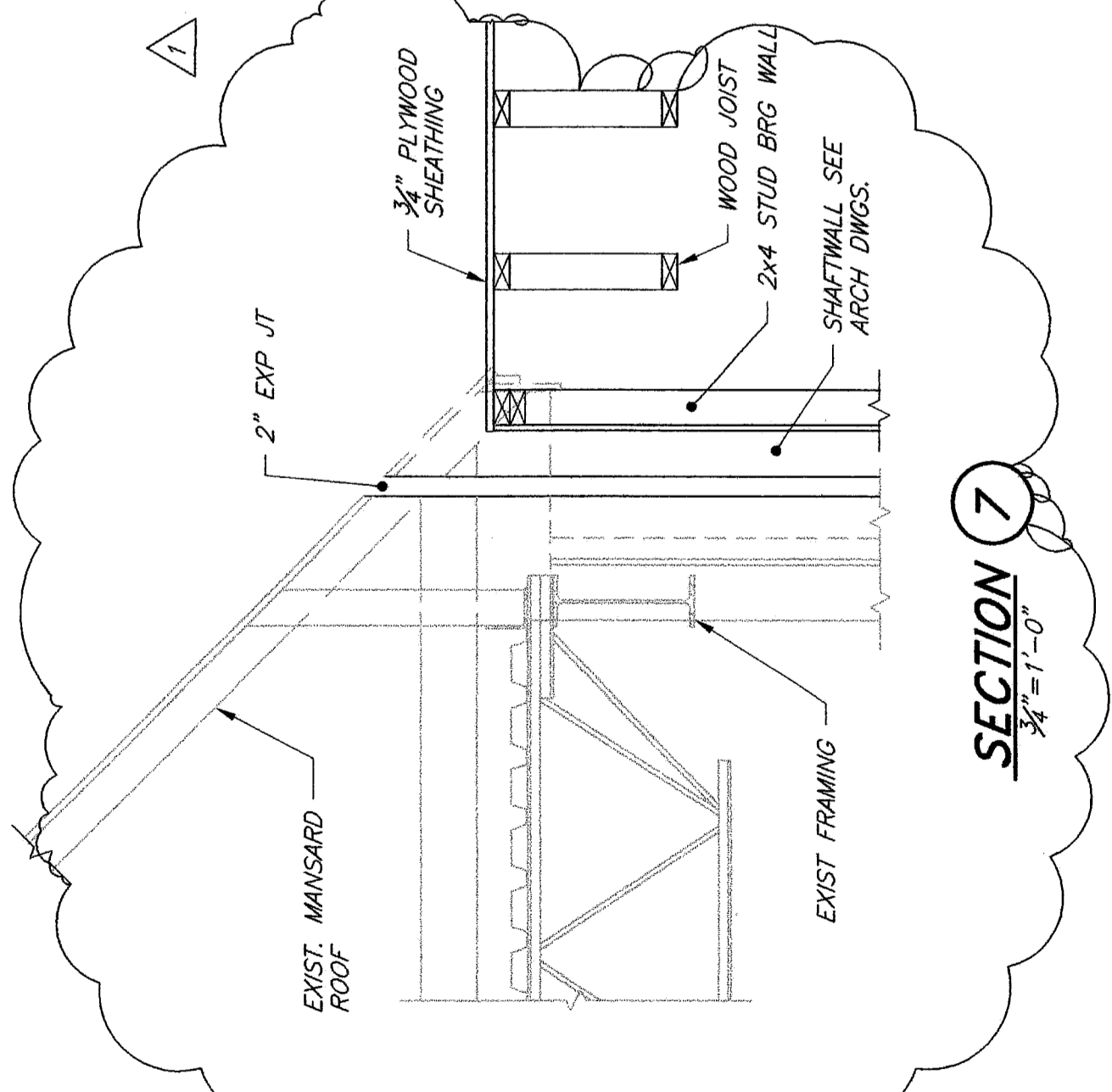
SECTION 7
1/4" = 1'-0"



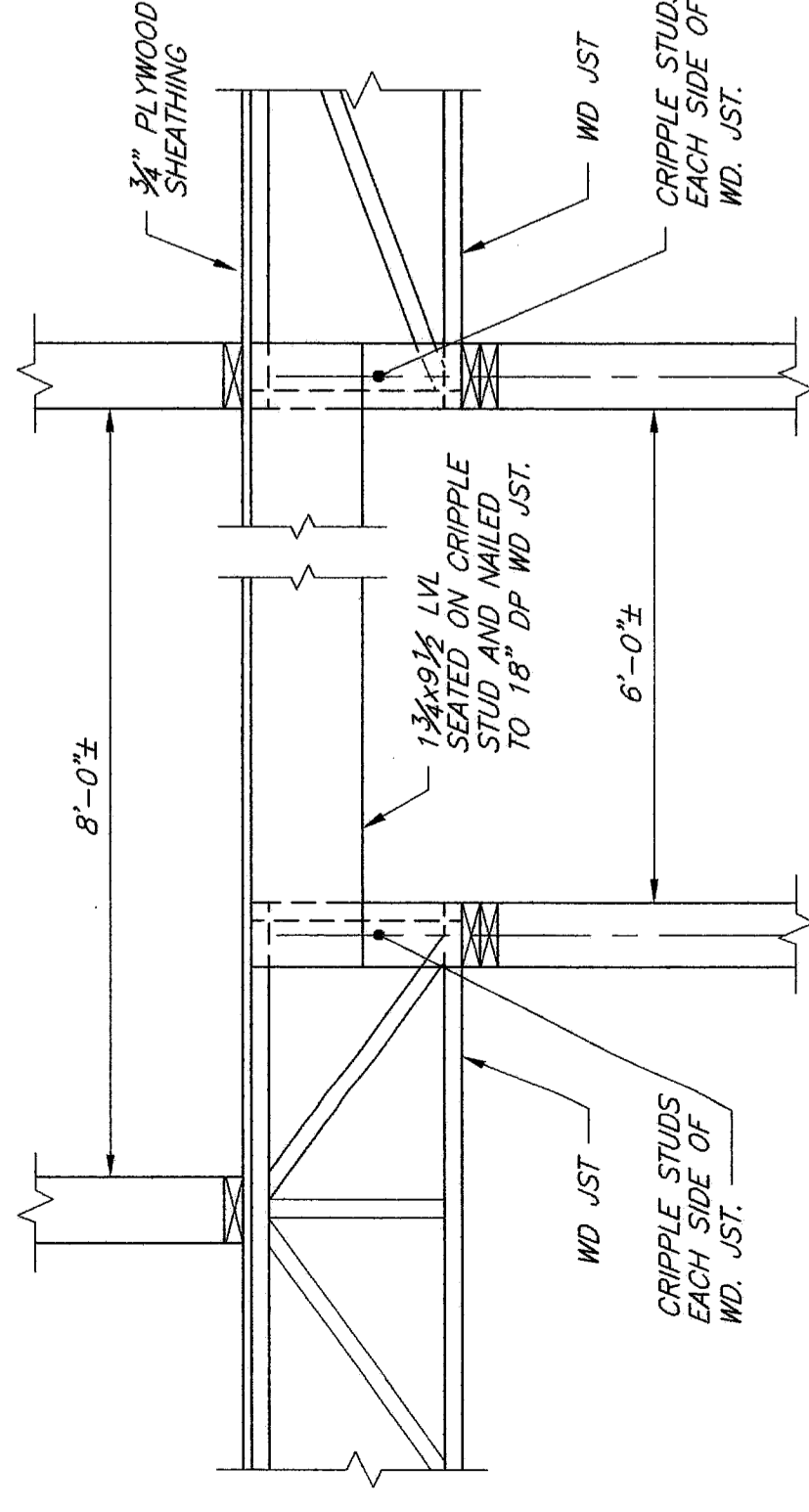
SECTION 8
1/4" = 1'-0"



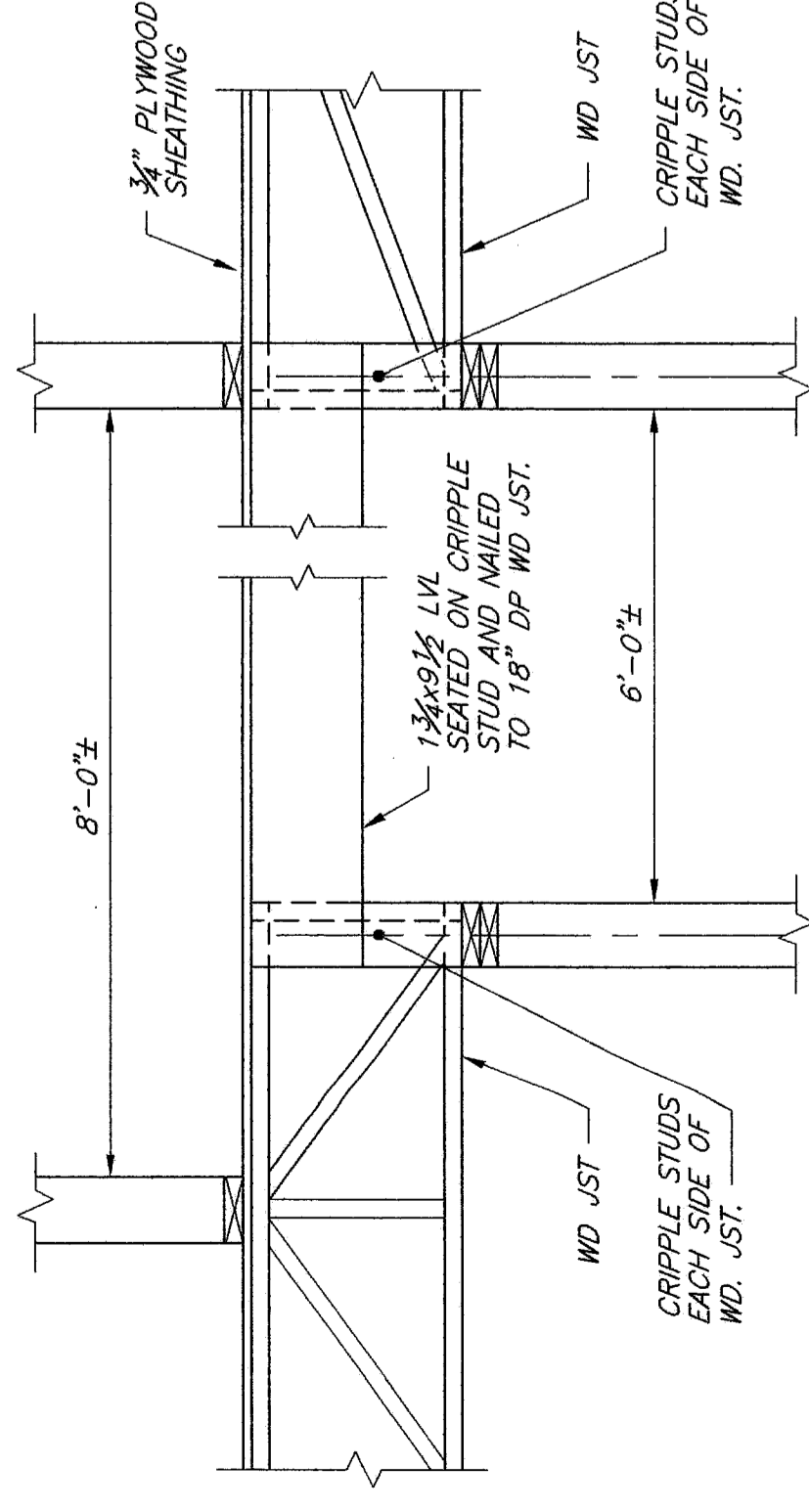
SECTION 9
1/4" = 1'-0"



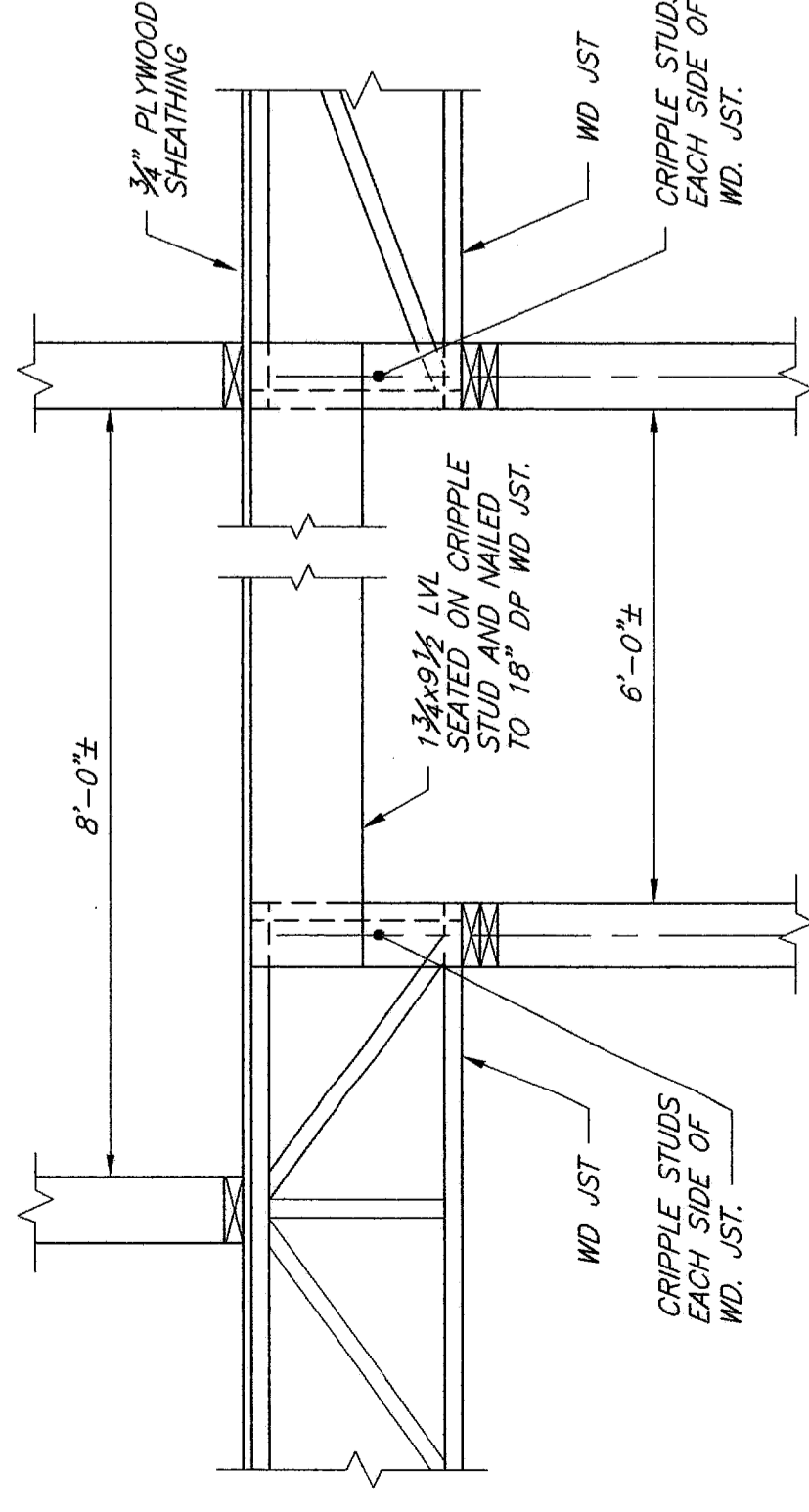
SECTION 10
1/4" = 1'-0"



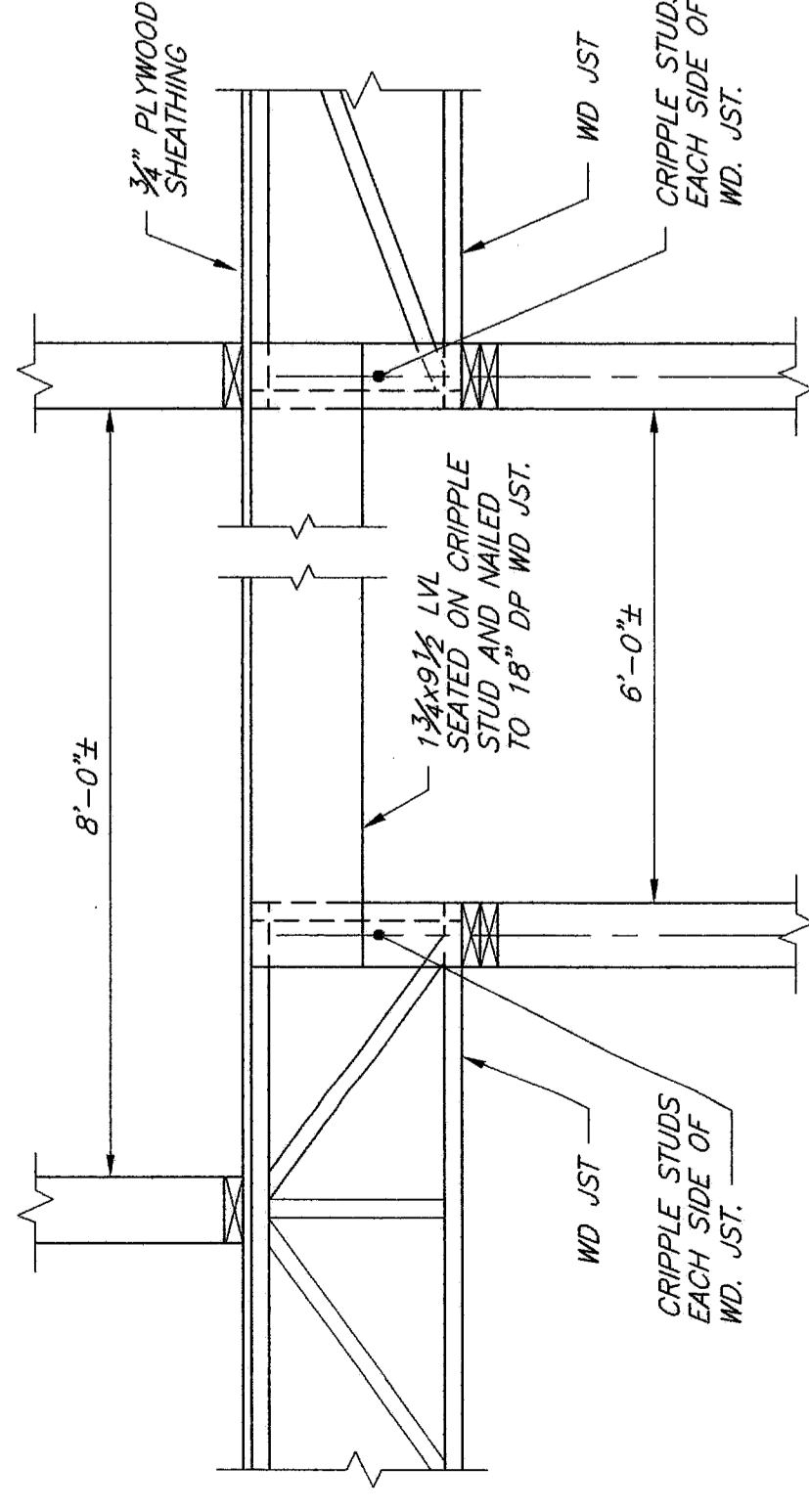
SECTION 11
1/4" = 1'-0"



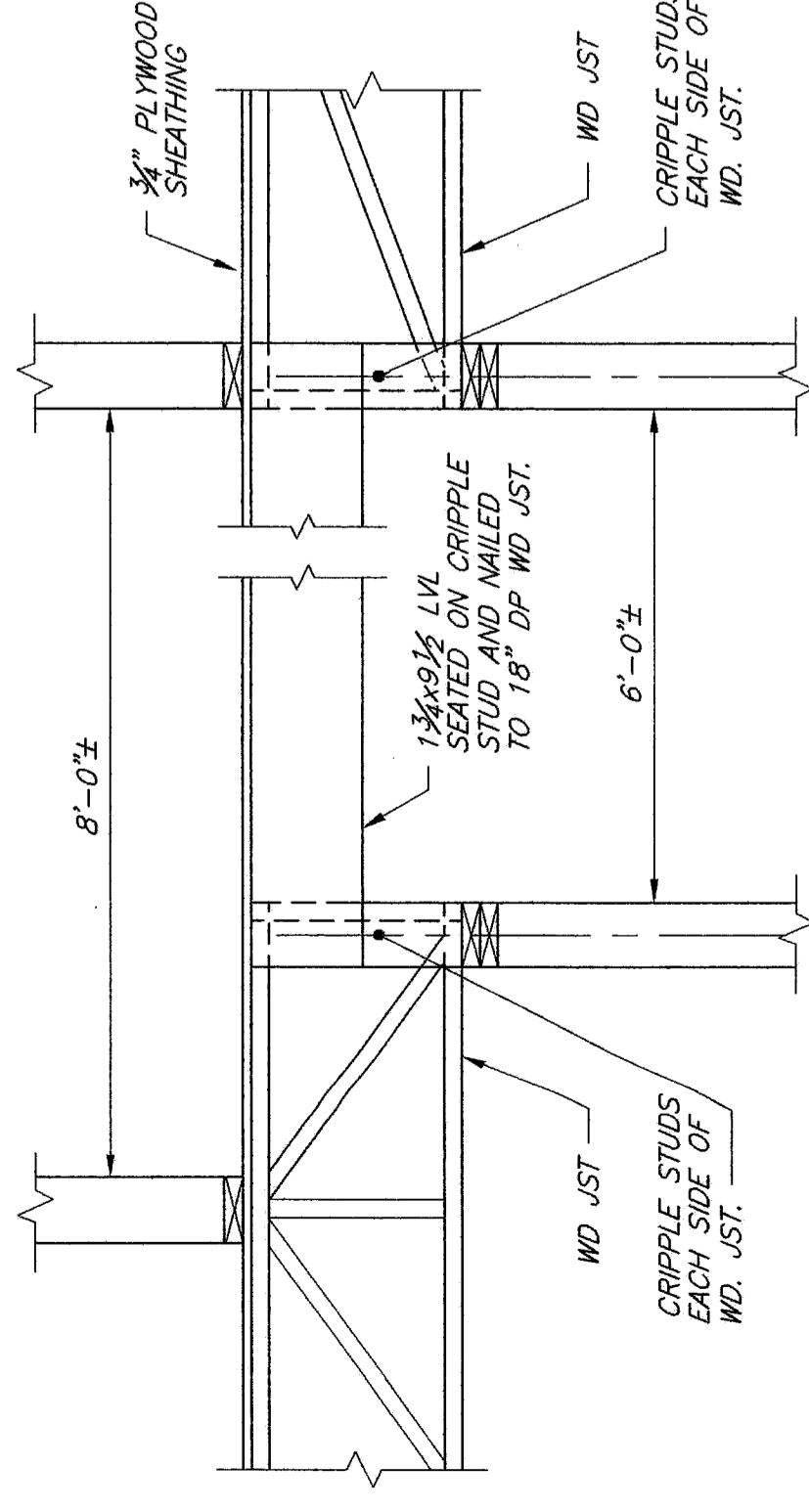
SECTION 12
1/4" = 1'-0"



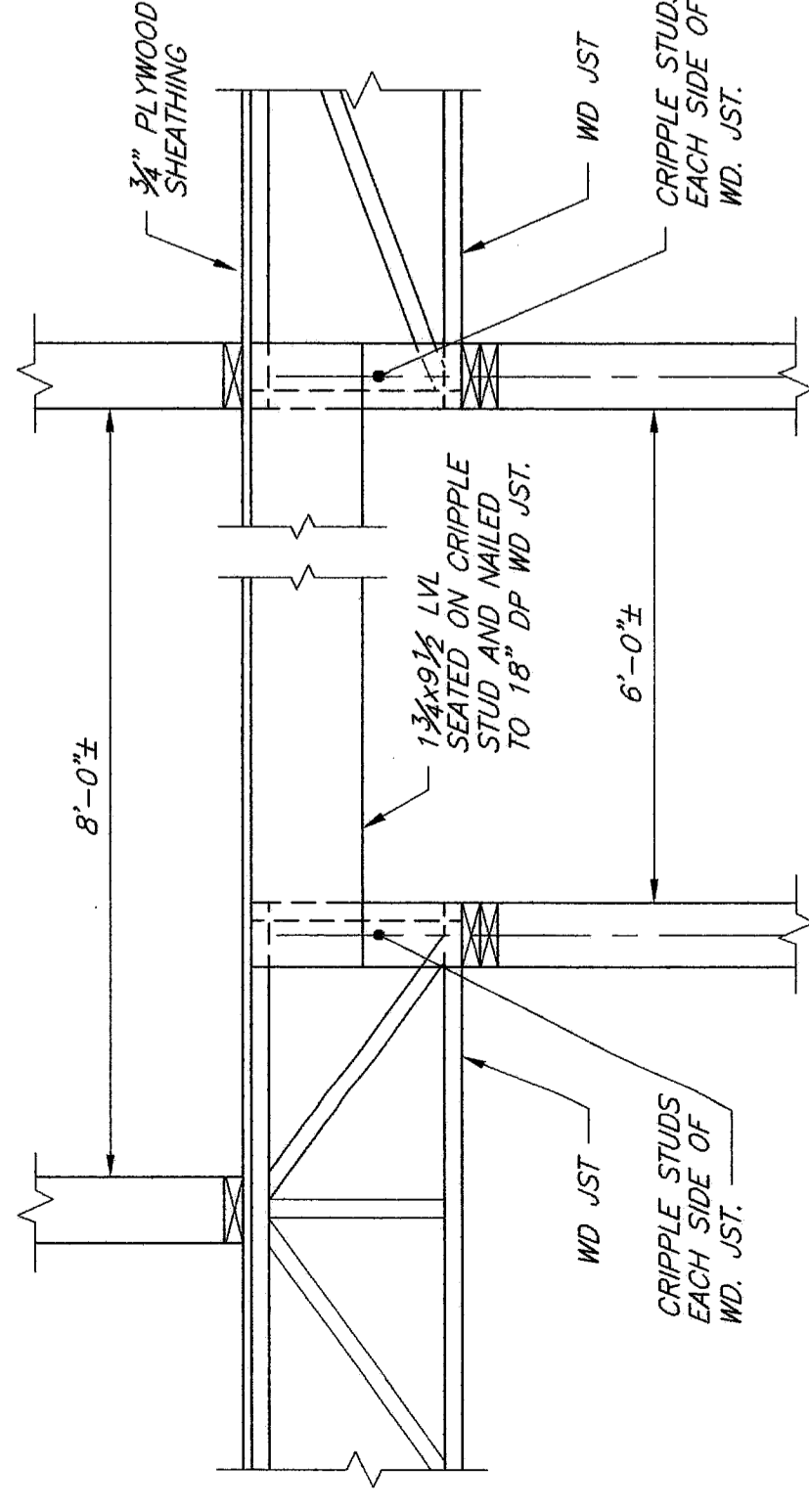
SECTION 13
1/4" = 1'-0"



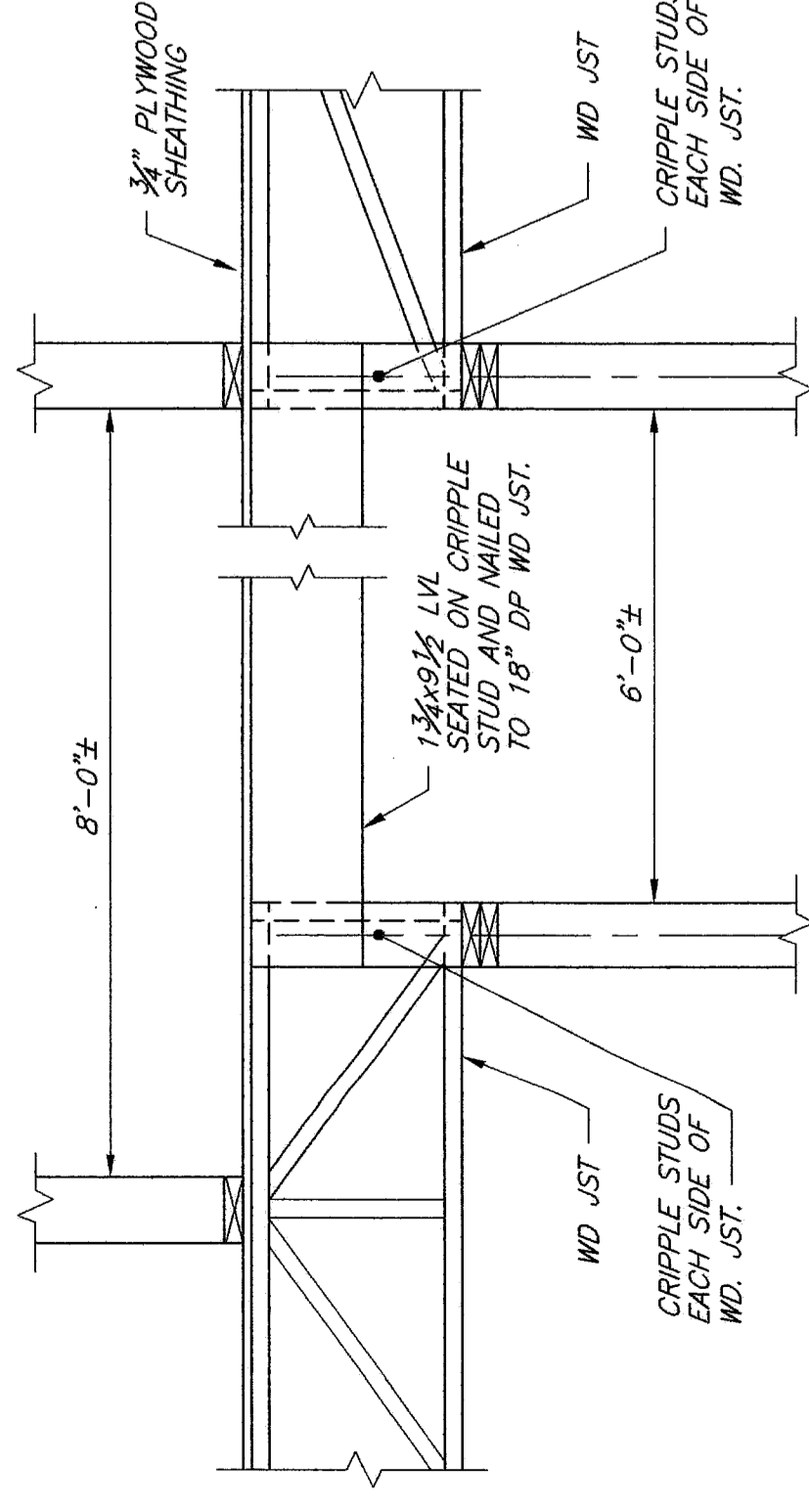
SECTION 14
1/4" = 1'-0"



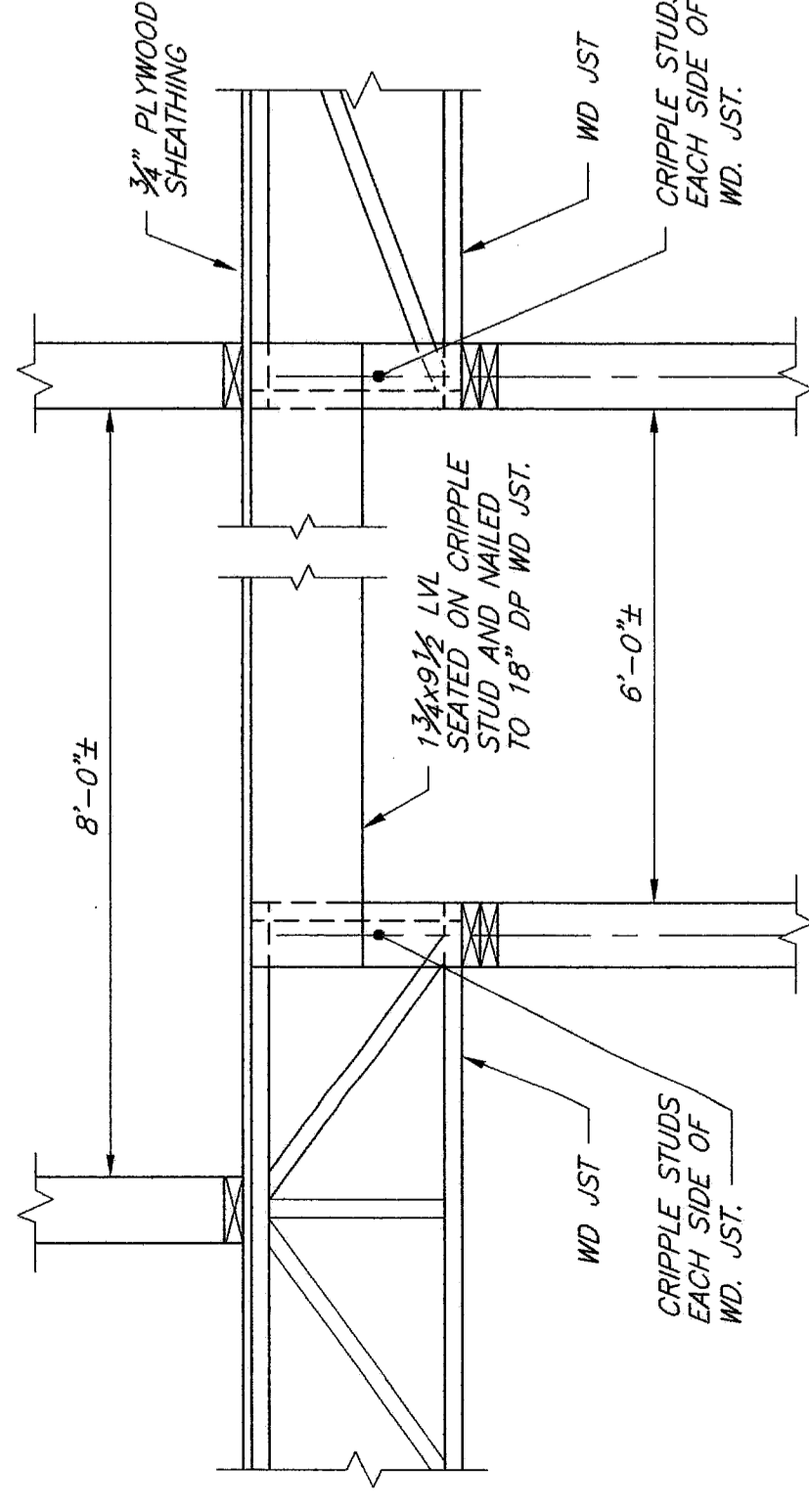
SECTION 15
1/4" = 1'-0"



SECTION 16
1/4" = 1'-0"



SECTION 17
1/4" = 1'-0"



SECTION 18
1/4" = 1'-0"

NO.	DATE
1	3/20/2006
2	10/25/2006
3	11/22/2006

Project: THE INN AT CEDARS

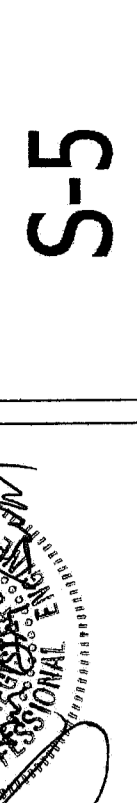
PORTLAND, MAINE

Drawing Title

SECTIONS

Tsomides Associates Architects and Planners
388 Elliot Street
Newport, Maine 02464
(617) 989-4774 Fax (617) 989-4793
e-mail: info@tsomides.com www.tsomides.com

DRAWN BY	REB
DESIGNED BY	11/22/2006
SCALE	AS NOTED



Foley Buhl Roberts & Associates, Inc.

S-5