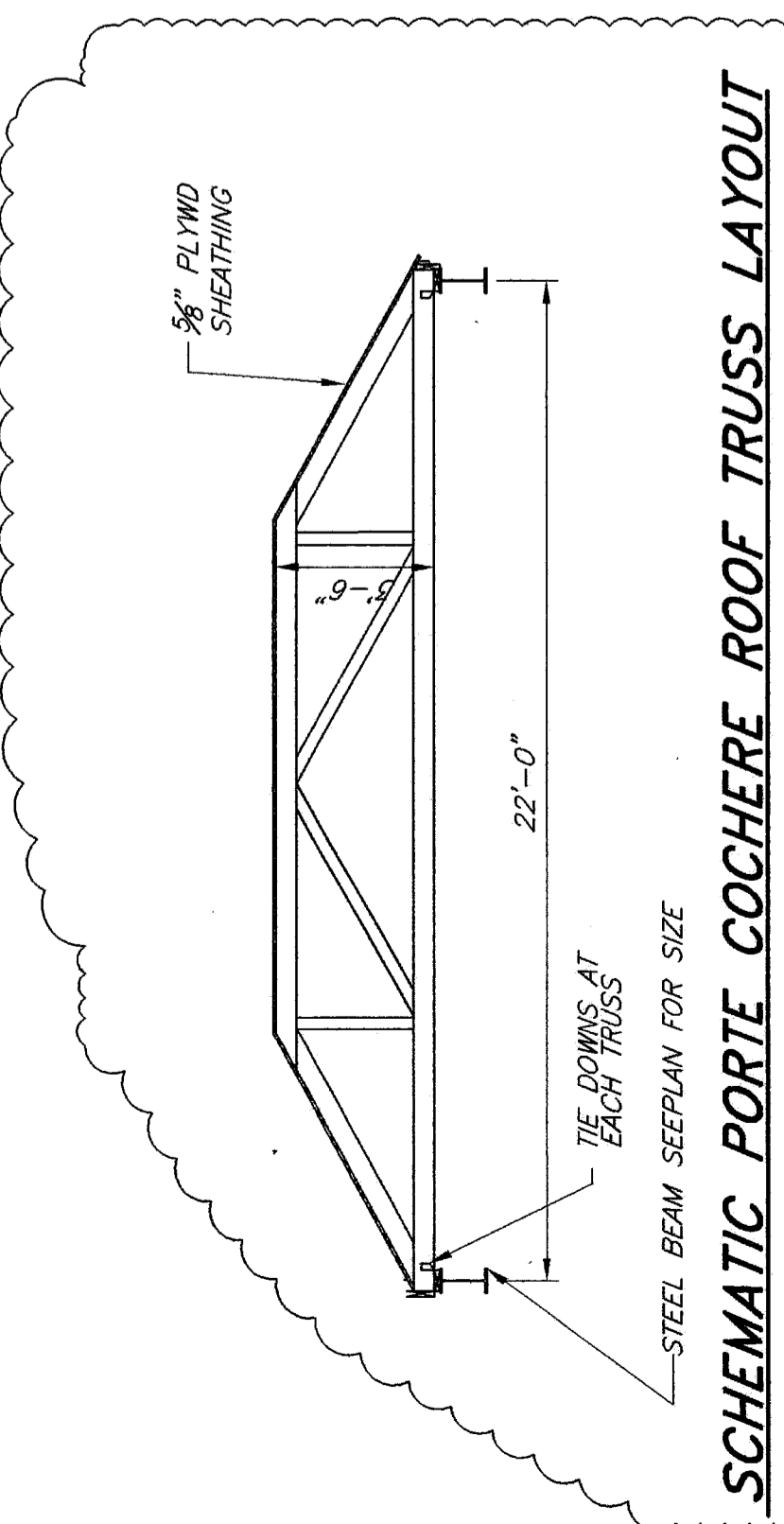


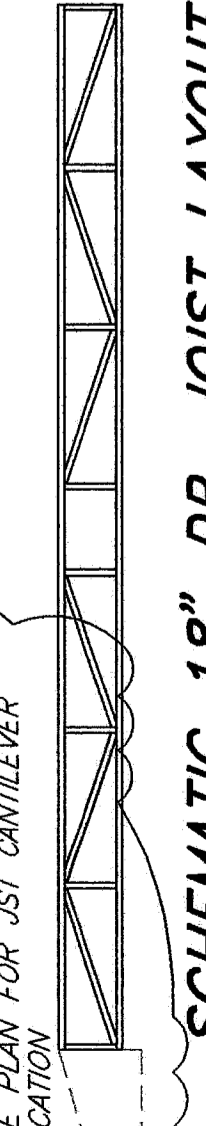
**SECTION 1**  
1/8"=1'-0"



**SCHEMATIC PORTE COCHERE ROOF TRUSS LAYOUT**

TRUSS DESIGN LOADS	
LOADING	LINE
TOP CHORD	12 PSF
BOTTOM CHORD	5 PSF
	0 PSF

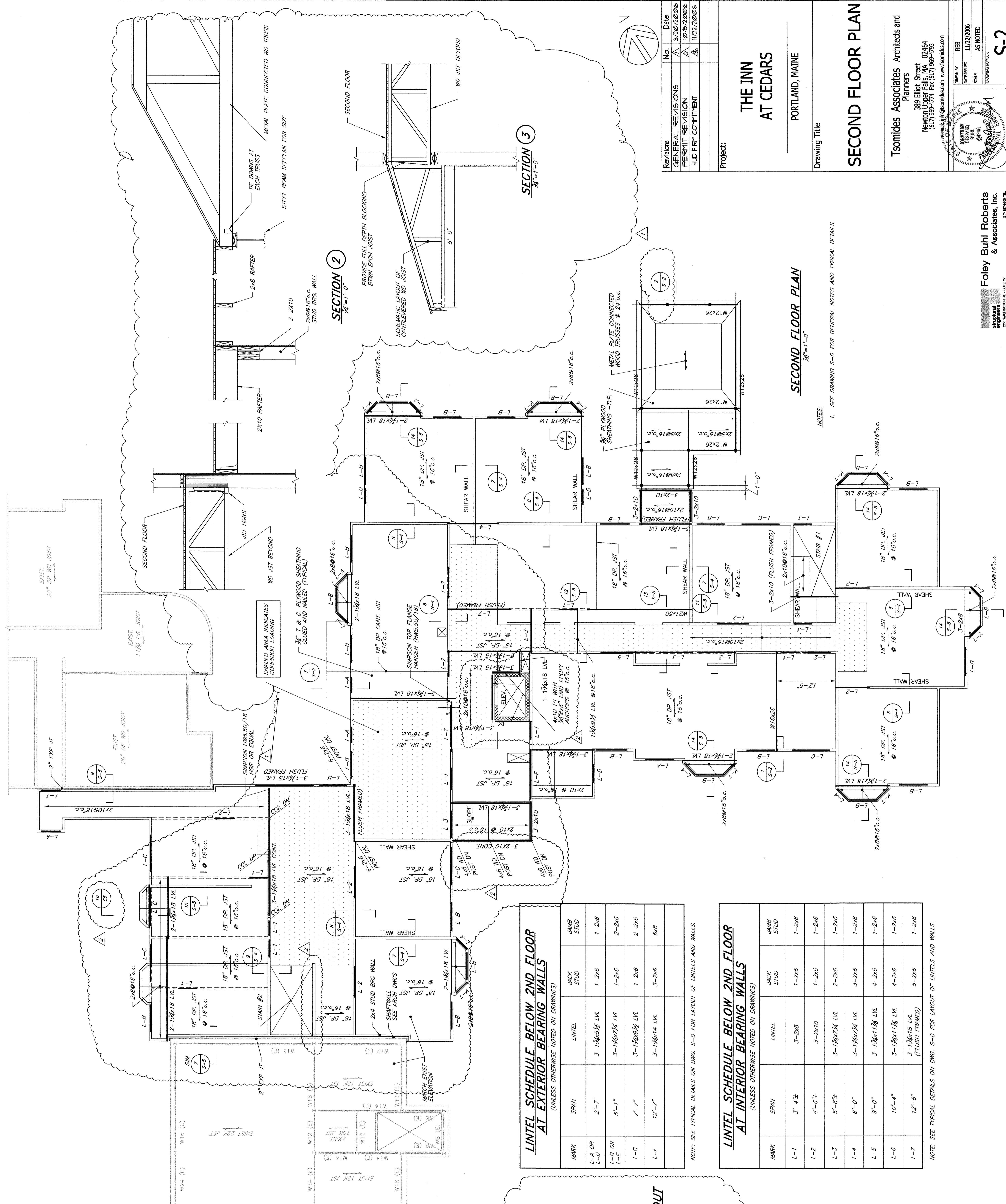
TRUSS DESIGN LOADS	
LOADING	LINE
TOP CHORD	12 PSF
BOTTOM CHORD	5 PSF
	0 PSF



**SCHEMATIC 18" DP. JOIST LAYOUT**

TRUSS DESIGN LOADS	
LOADING	LINE
TOP CHORD	12 PSF
BOTTOM CHORD	5 PSF
	0 PSF

TRUSS DESIGN LOADS	
LOADING	LINE
TOP CHORD	12 PSF
BOTTOM CHORD	5 PSF
	0 PSF



**LINTEL SCHEDULE BELOW 2ND FLOOR AT EXTERIOR BEARING WALLS**  
(UNLESS OTHERWISE NOTED ON DRAWINGS)

MARK	SPAN	LINTEL	JACK STUD	JAMB STUD
L-A OR L-D	2'-7"	3-1 1/2"x18 LVL	1-2x6	1-2x6
L-E OR L-F	5'-1"	3-1 1/2"x18 LVL	1-2x6	2-2x6
L-C	7'-7"	3-1 1/2"x18 LVL	1-2x6	2-2x6
L-F	12'-7"	3-1 1/2"x14 LVL	3-2x6	6x8

NOTE: SEE TYPICAL DETAILS ON DWG. S-0 FOR LAYOUT OF LINTELS AND WALLS.

**LINTEL SCHEDULE BEARING WALLS AT INTERIOR BEARING WALLS**  
(UNLESS OTHERWISE NOTED ON DRAWINGS)

MARK	SPAN	LINTEL	JACK STUD	JAMB STUD
L-1	3'-4 1/2"	3-2x6	1-2x6	1-2x6
L-2	4'-6 1/2"	3-2x10	1-2x6	1-2x6
L-3	5'-6 1/2"	3-1 1/2"x18 LVL	2-2x6	1-2x6
L-4	6'-0"	3-1 1/2"x14 LVL	3-2x6	1-2x6
L-5	9'-0"	3-1 1/2"x11 1/2 LVL	4-2x6	1-2x6
L-6	10'-4"	3-1 1/2"x11 1/2 LVL	4-2x6	1-2x6
L-7	12'-6"	3-1 1/2"x18 LVL (FLUSH FRAMED)	5-2x6	1-2x6

NOTE: SEE TYPICAL DETAILS ON DWG. S-0 FOR LAYOUT OF LINTELS AND WALLS.

NO.	DATE
1	11/22/2006
2	11/22/2006
3	11/22/2006

Project: THE INN AT CEDARS

Portland, Maine

Drawing Title

**SECOND FLOOR PLAN**

Tsomides Associates Architects and Planners  
388 Elliot Street  
Newtown Upper Falls, MA 02464  
(617) 968-1774 Fax (617) 968-4953  
tsomides.associates.com www.tsomides.com

DATE	BY	REVISION
11/22/2006	REB	AS NOTED

Foley Buhl Roberts & Associates, Inc.