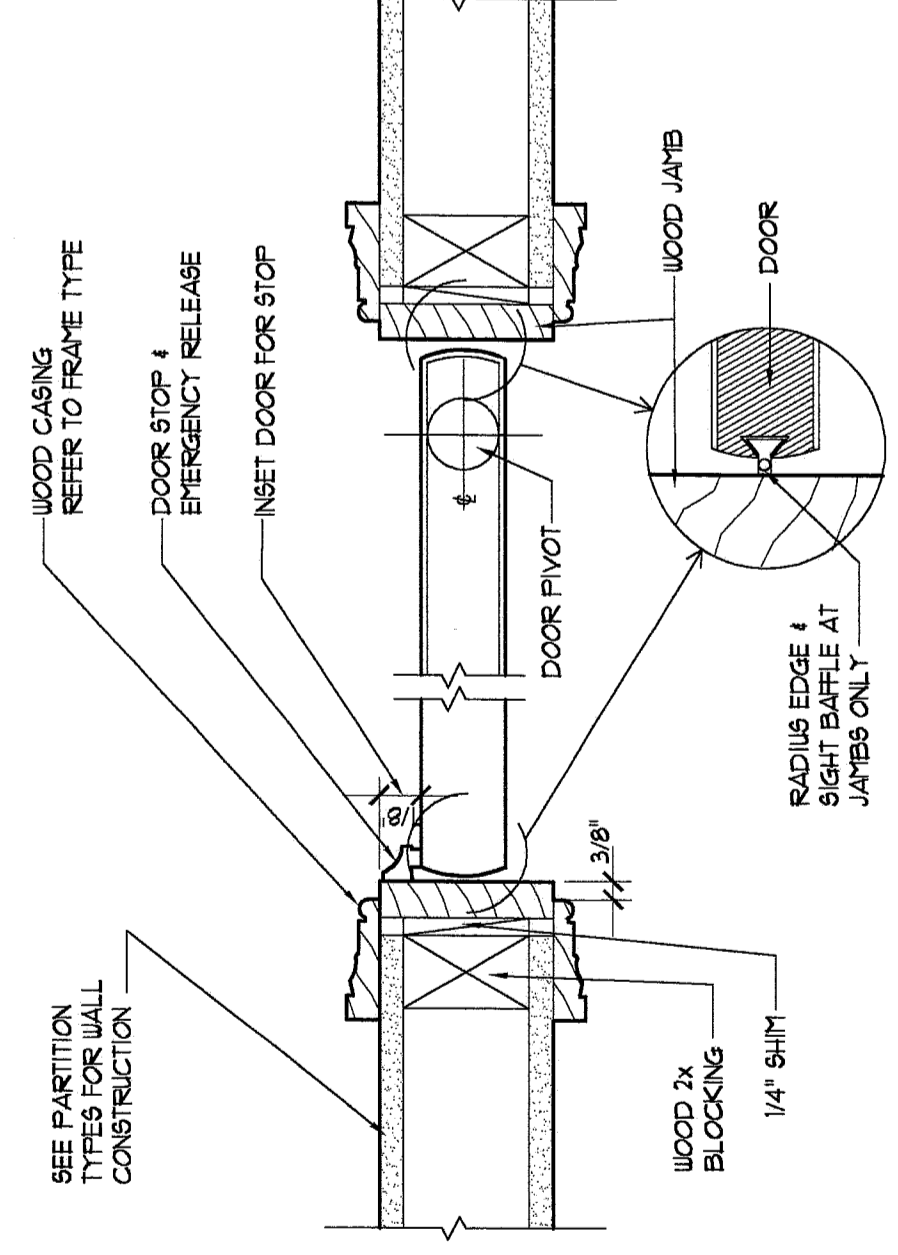
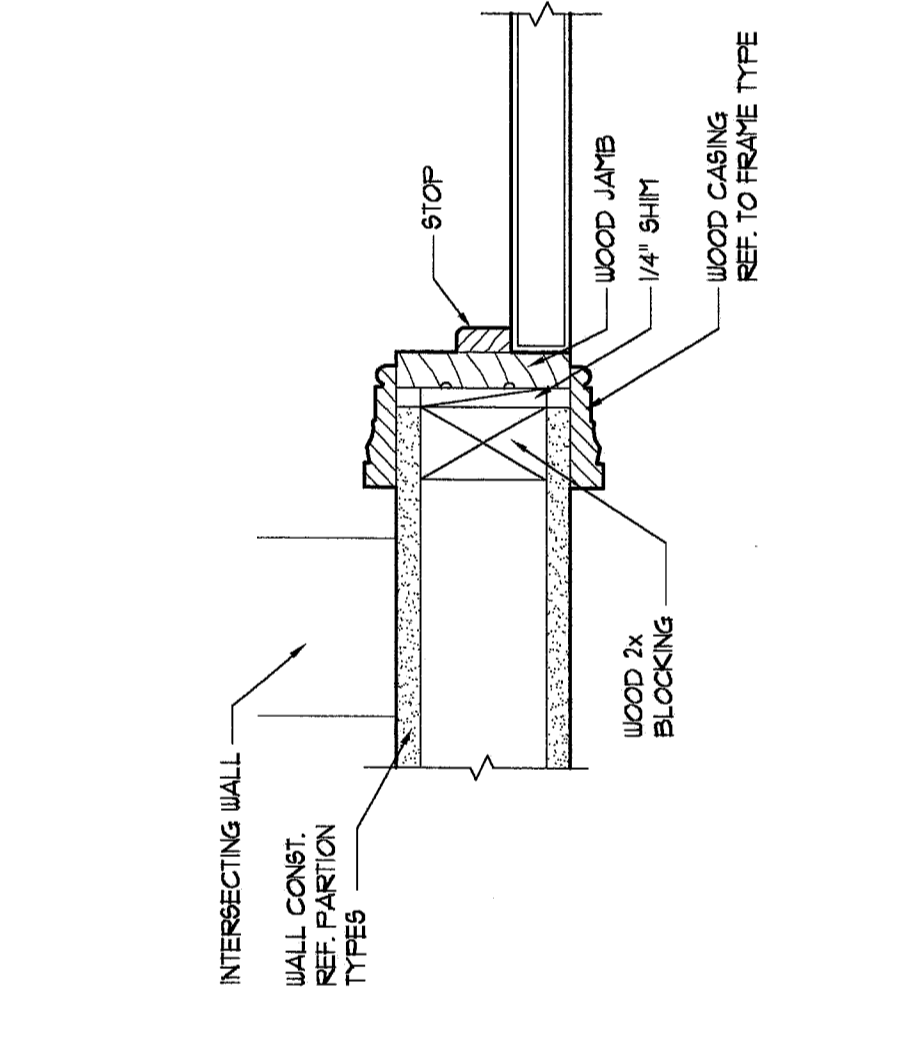


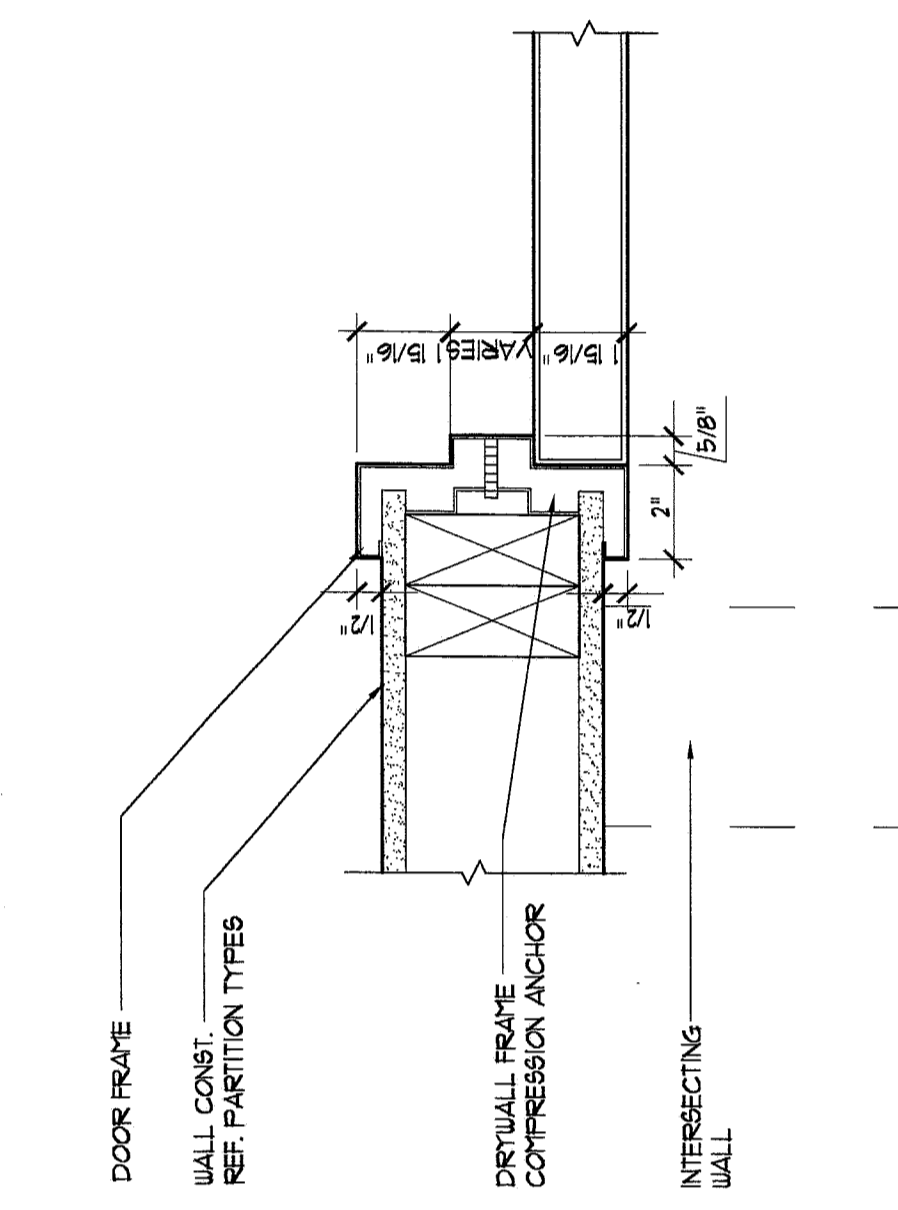
1 HEAD DETAIL AT CLOSET (HEAD SIM.)
SCALE: 3/4\"/>



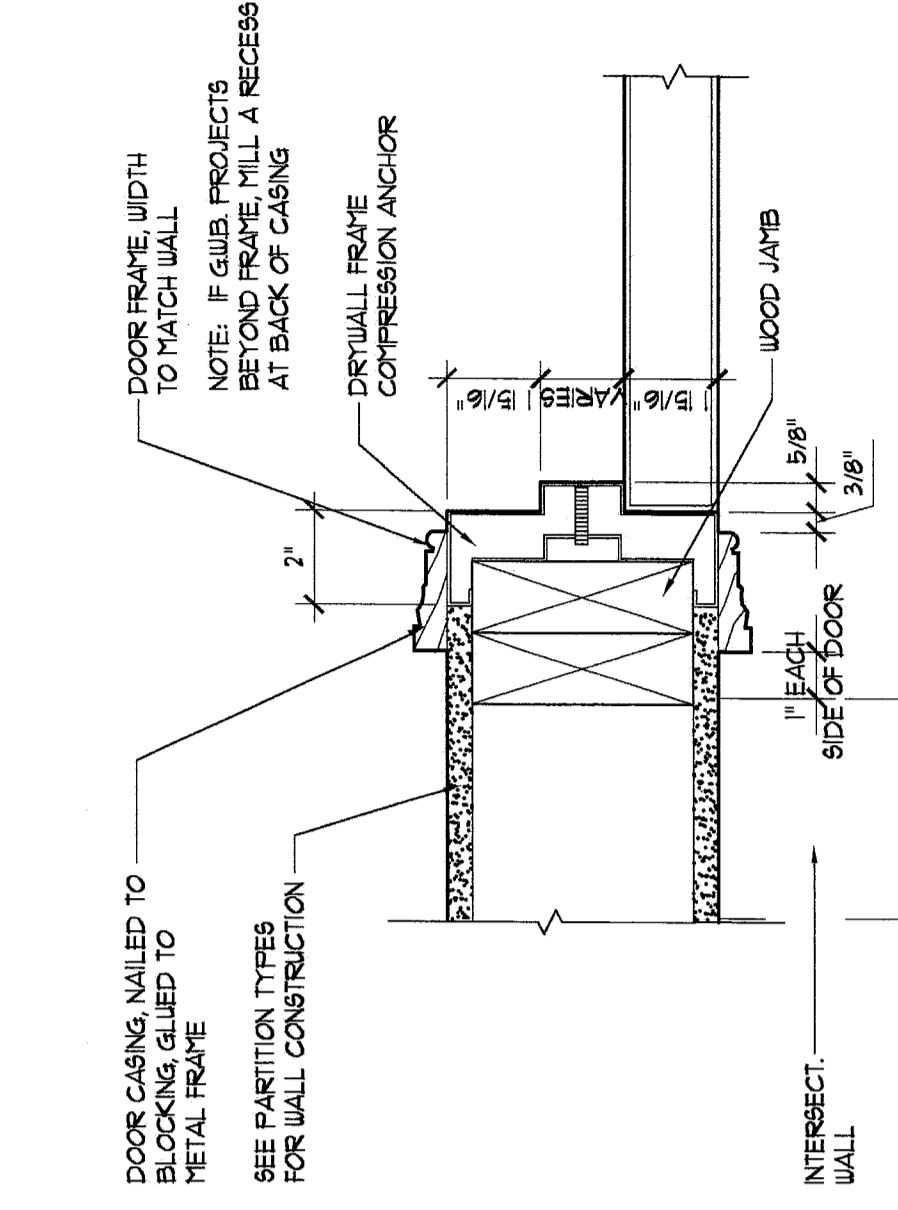
2 BATHROOM DOOR JAMB DETAIL (EMERG. RELEASE)
SCALE: 3/4\"/>



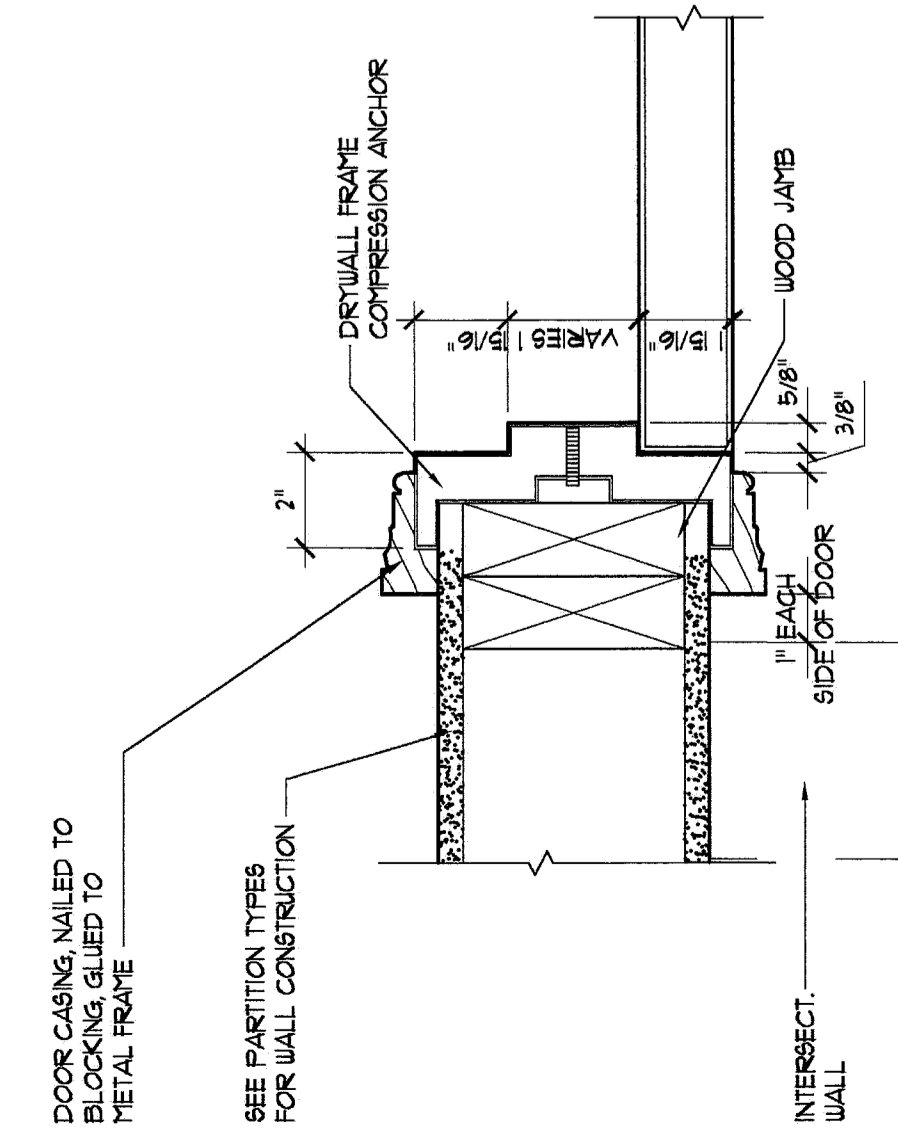
3 TYP. WOOD FRAME JAMB (HEAD SIM.)
SCALE: 3/4\"/>



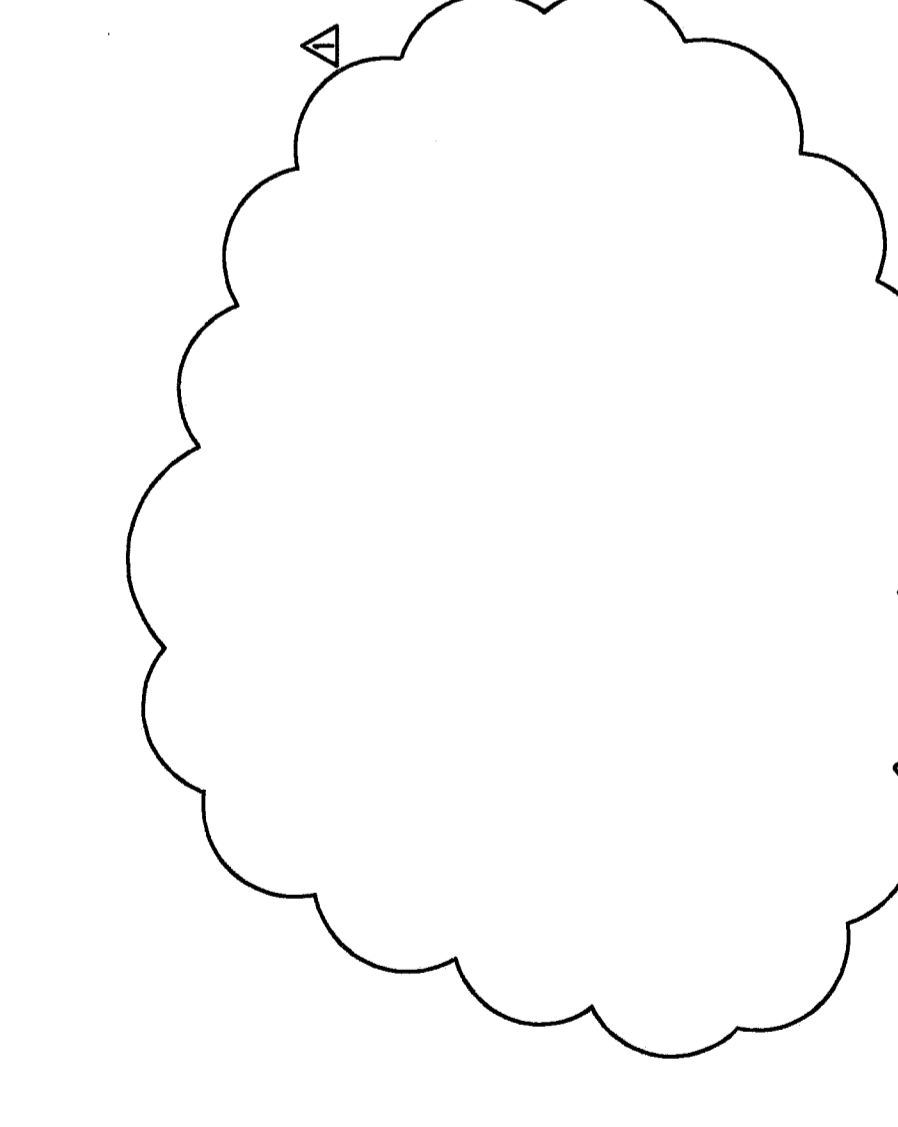
4 TYP. H.M. DOOR JAMB (HEAD SIM.)
SCALE: 3/4\"/>



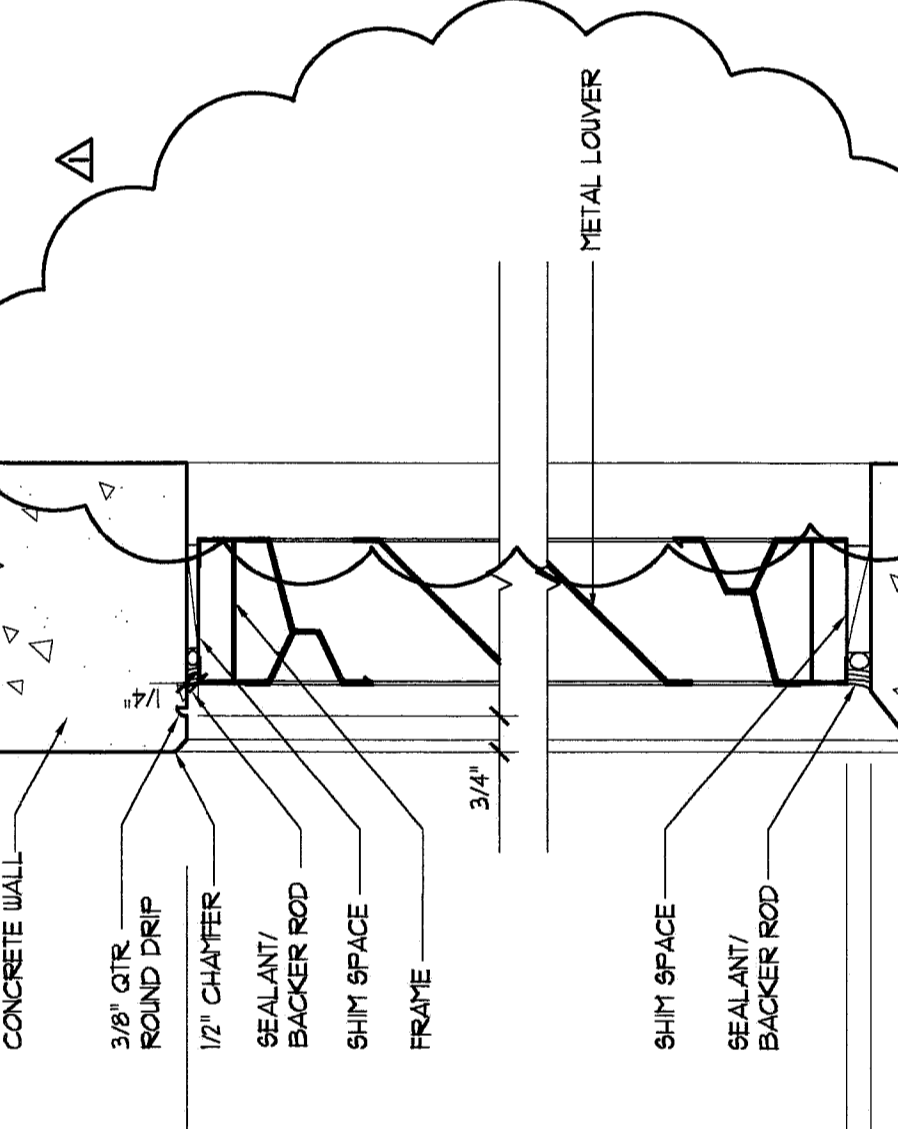
5 H.M. DOOR JAMB W/ WD. TRIM (HEAD SIM.)
SCALE: 3/4\"/>



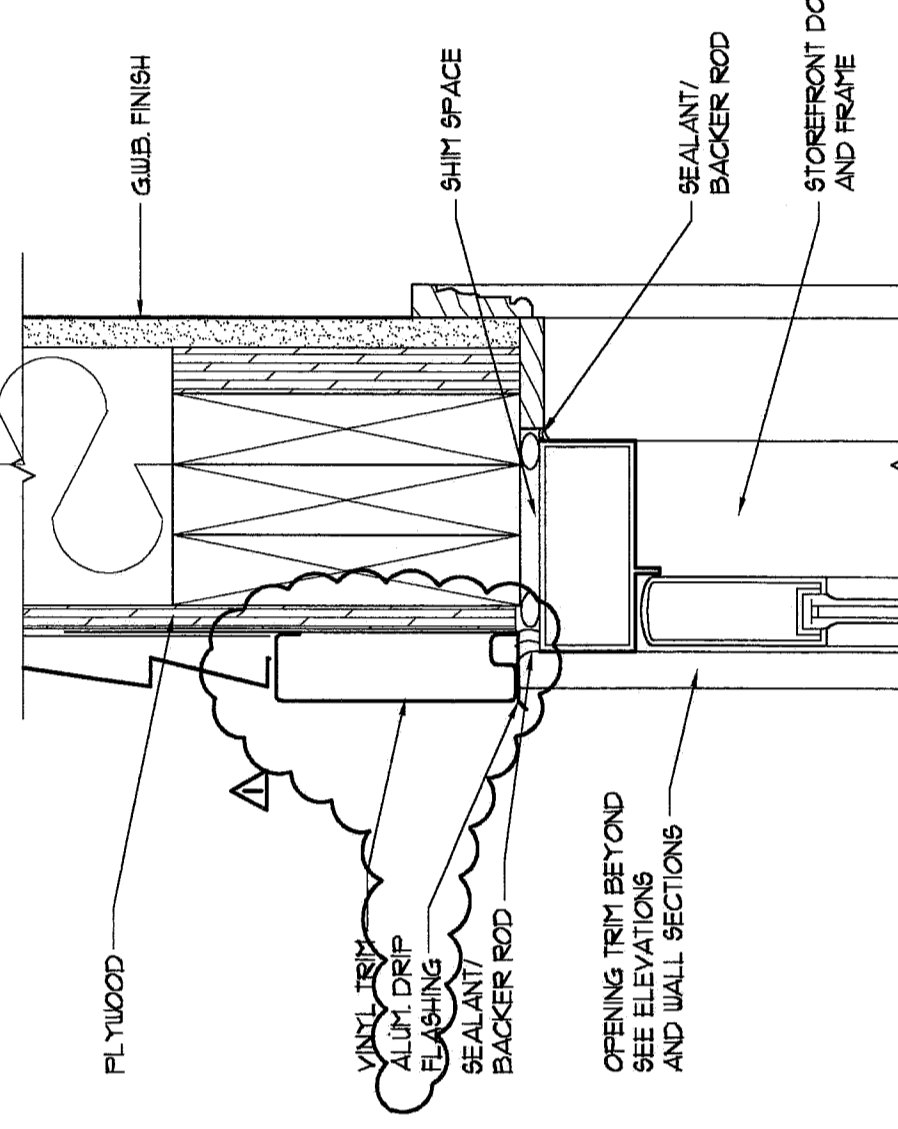
6 FIRE RATED DOOR JAMB (HEAD SIM.)
SCALE: 3/4\"/>



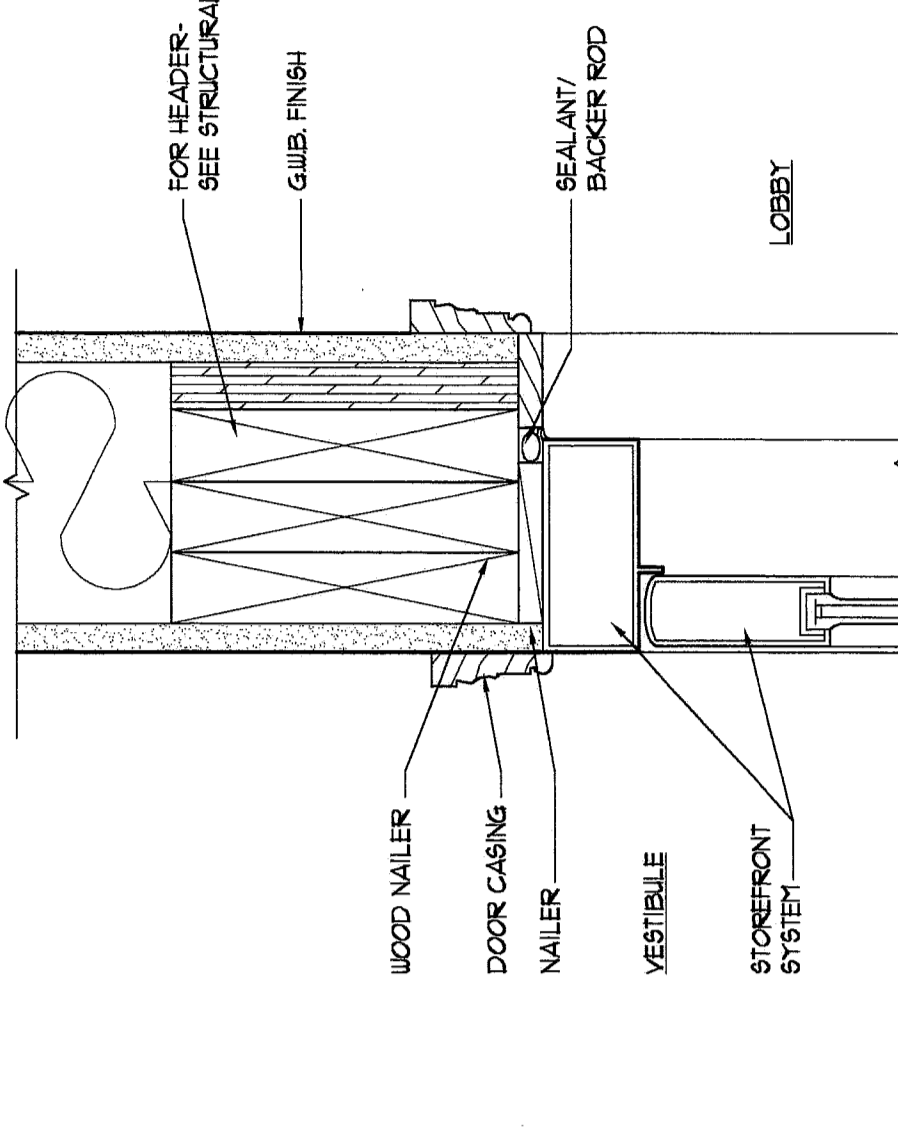
7 NOT USED



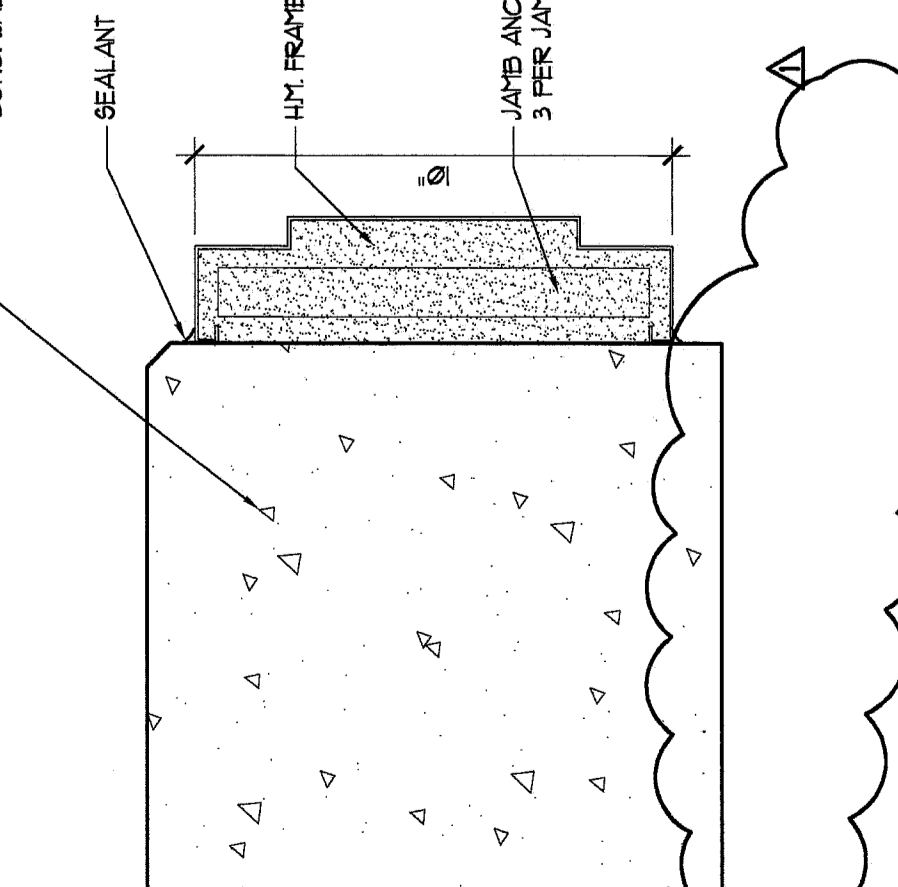
8 LOUVER HEAD/SILL DETAILS
SCALE: 3/4\"/>



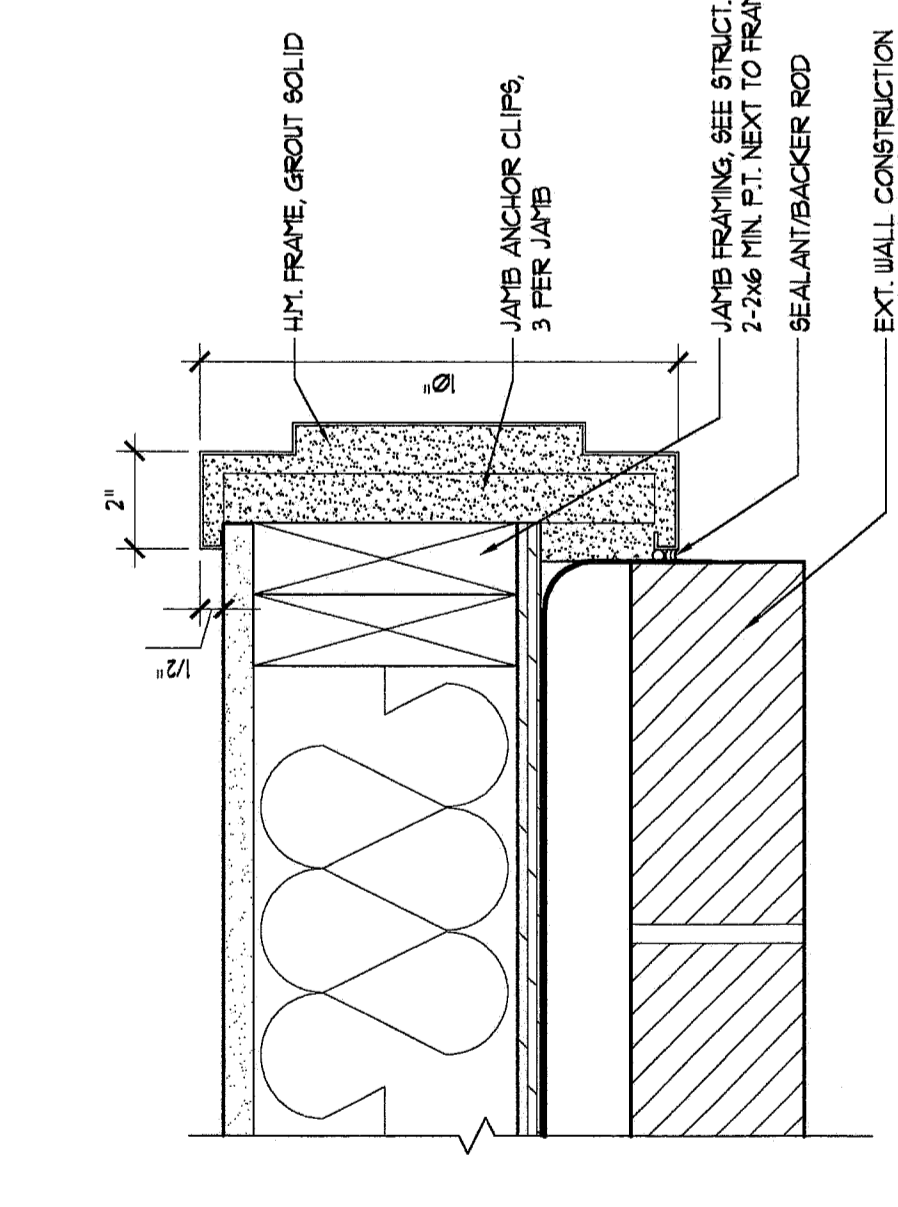
9 STOREFRONT DOOR HEAD (WIN, DR & WIN JAMB SIM.)
SCALE: 3/4\"/>



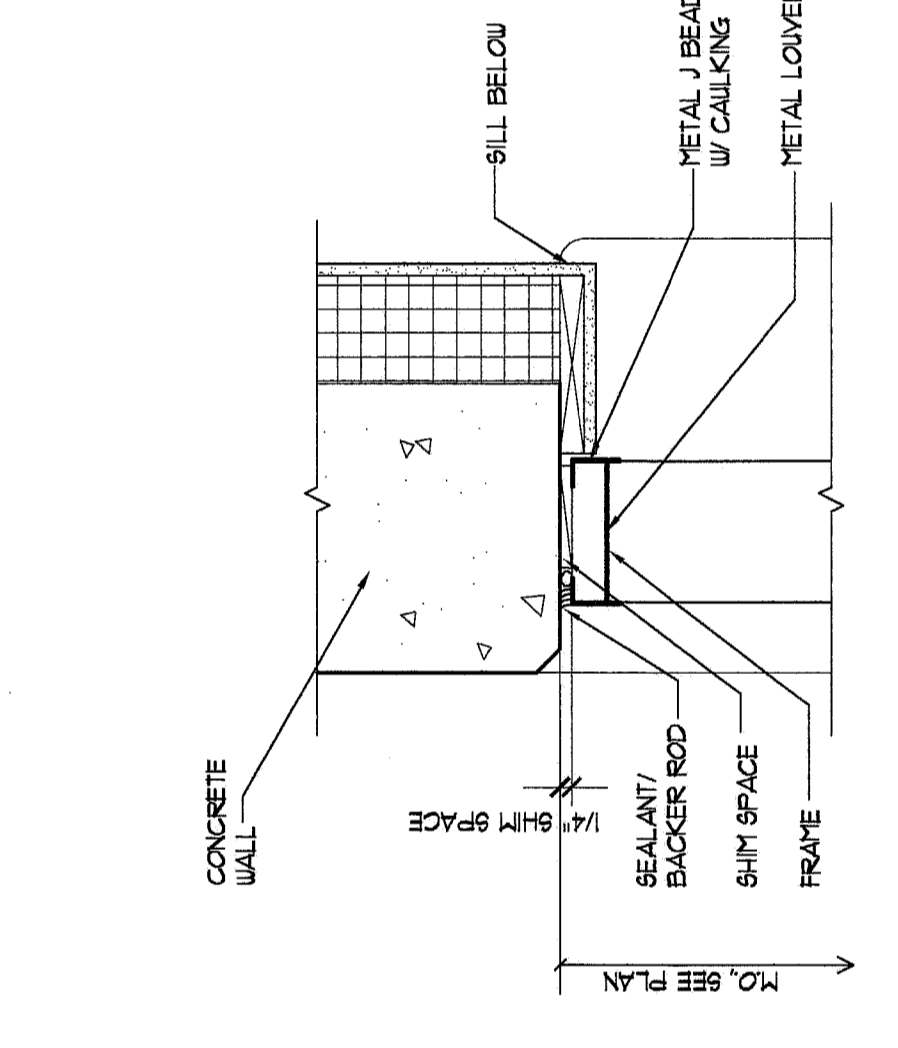
10 INT. STOREFRONT HEAD (WIN. SIM.)
SCALE: 3/4\"/>



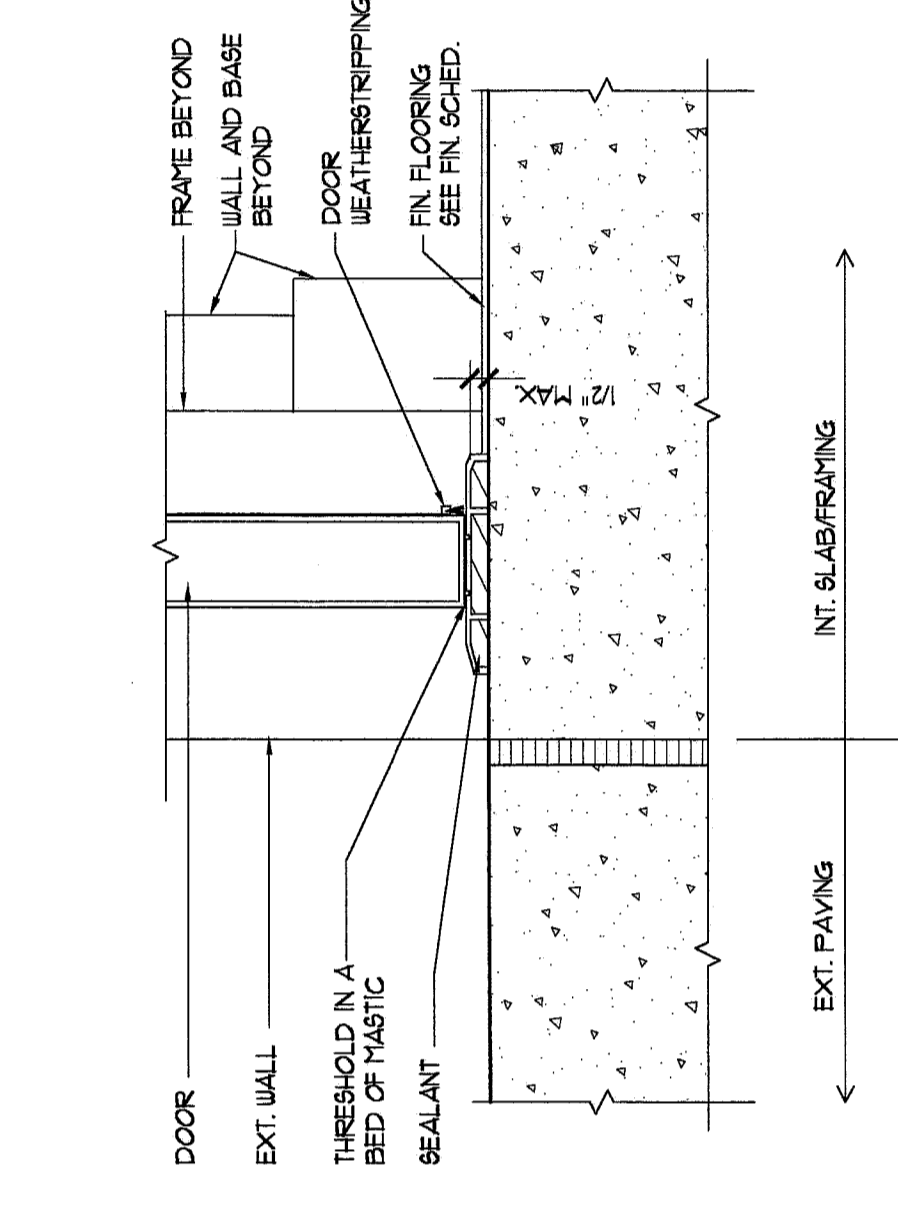
11 EXT. H.M. DOOR JAMB (HEAD SIM.)
SCALE: 3/4\"/>



12 EXT. H.M. DOOR JAMB (HEAD SIM.)
SCALE: 3/4\"/>



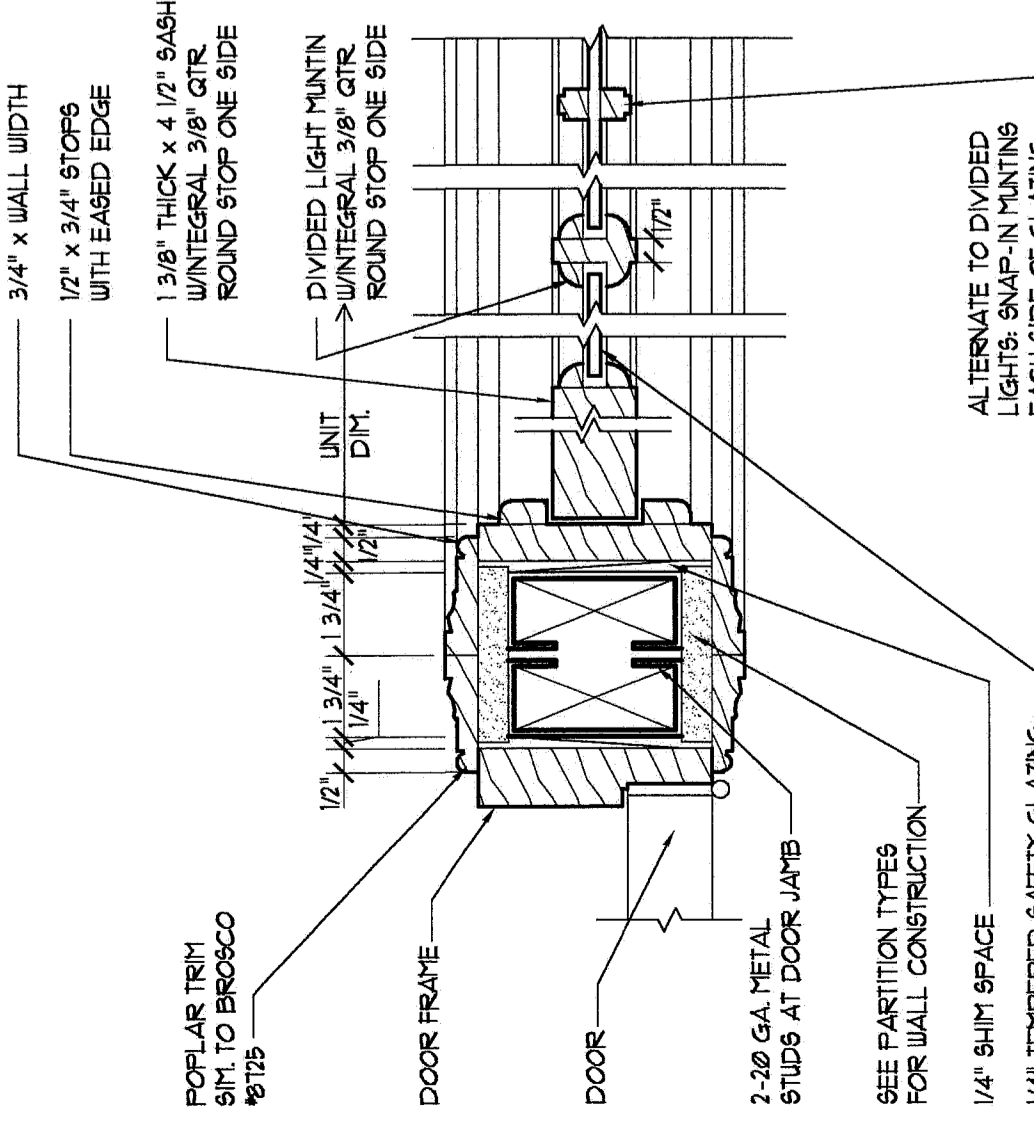
13 LOUVER JAMB DETAIL
SCALE: 3/4\"/>



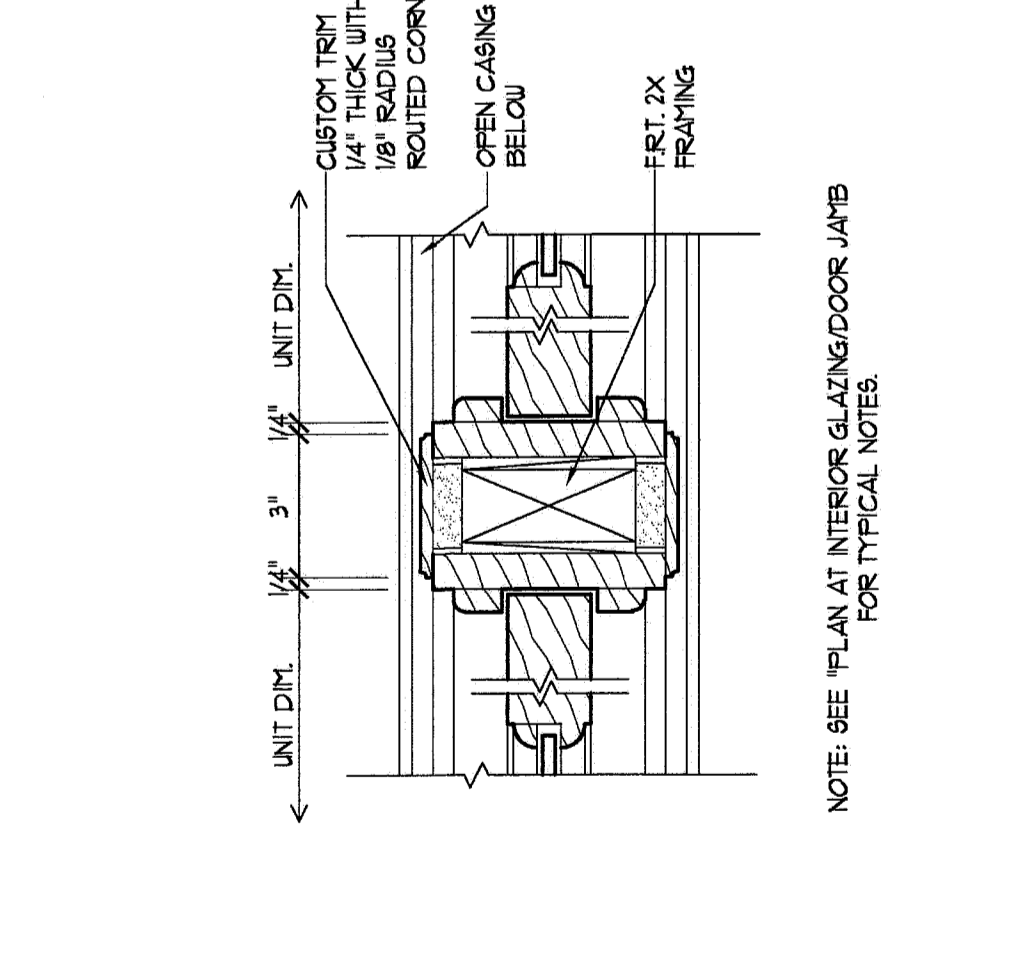
14 TYPICAL THRESHOLD
SCALE: 3/4\"/>



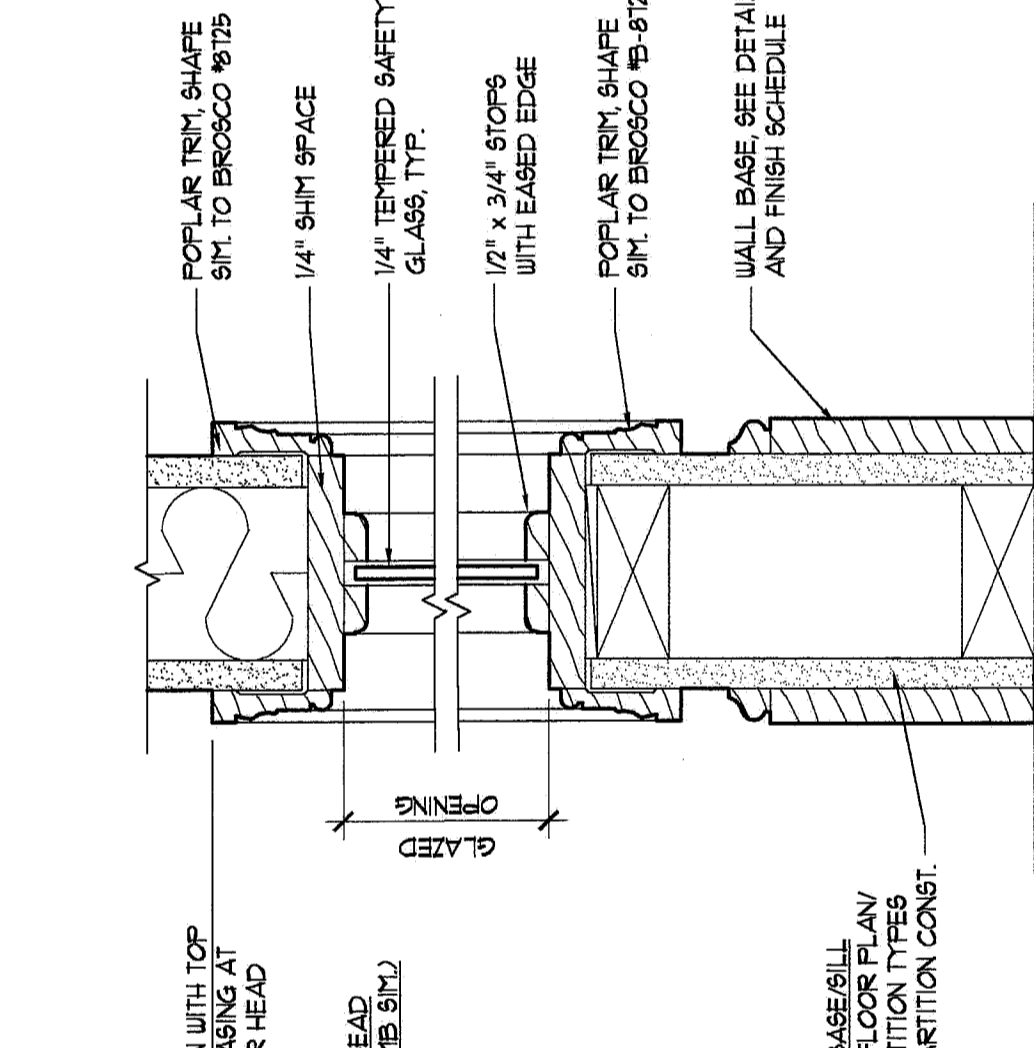
15 NOT USED



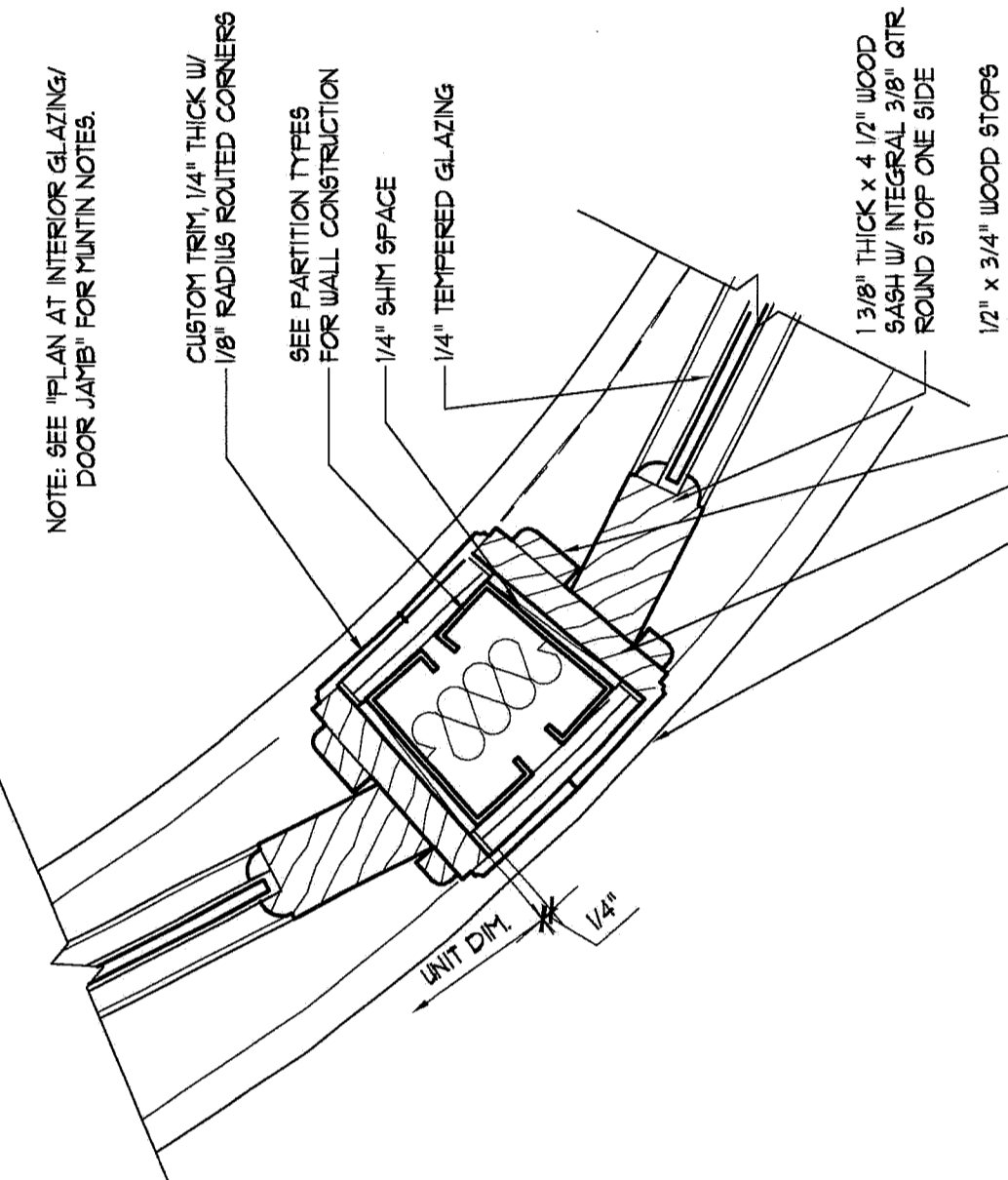
16 PLAN AT INTERIOR GLAZING/DOOR JAMB
SCALE: 3/4\"/>



17 PLAN AT INTERIOR OF GLAZING MUNTIN
SCALE: 3/4\"/>



18 SECTION AT INTERIOR GLAZING
SCALE: 3/4\"/>



19 GLAZING AT CURVE
SCALE: 3/4\"/>



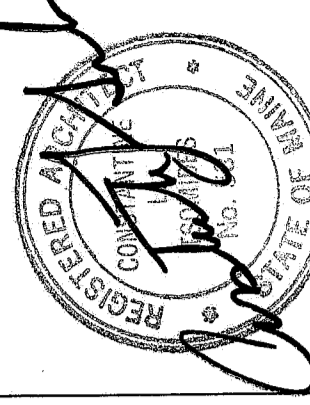
20 NOT USED

REVISIONS	No.	Date
GENERAL REVISIONS	A	02/10/06
FINAL PRICING	A	10/05/06
H/D FIRM COMMITMENT	A	11/22/06

Project
THE INN AT CEDARS
PORTLAND, MAINE

Drawing Title
DOOR AND WINDOW DETAILS

Tsomides Associates
Architects and Planners
389 Elliot Street
Newton Upper Falls, MA 02464
(617) 968-4774 Fax: (617) 968-4793
e-mail: info@tsomides.com www.tsomides.com



DATE BY SLZ
DATE REVISIONS GJ/24/06 RJD/SET
SCALE AS NOTED
PROJECT NUMBER
A-601